



Omni Controls

VSP Communication Board for Omni Controls

Installation Manual

Contents

Overview.....	1
Installation.....	1
Operation.....	5

HLPMPCONV

Hayward Industries
400 Connell Drive, Suite 6100
Berkeley Heights, NJ 07922
Phone: (908) 355-7995
www.hayward.com



HAYWARD®

Overview

The HLPMPCONV is a communication board bundled with a cable and enclosure. The HLPMPCONV will allow full control of up to 3 Pentair variable speed pumps (VSPs) by Omni Control products. The Omni Control can turn the pump on and off as well as vary speeds based on schedules and speed settings.

Install and setup the pump for remote control according to its included instructions. Install and wire the HLPMPCONV according to the instructions in this manual. After installation is complete, your Omni Control manual will explain how to configure and control the pump.

IMPORTANT: Before attempting this installation, completely disconnect power to the pump and to the Omni Control.

Installation

Disconnect power to both the Omni Control and the pump(s) at the circuit breakers before installation.

Mounting the Enclosure

The enclosure will hold the communication board which is wired to both the Omni Control and the Pentair pump. Find a suitable mounting location for the enclosure that will allow wire runs to both the pump (using the Pentair communication cable) and the control (using the included 15' cable). Use appropriate hardware to fasten the enclosure to the mounting surface.

Wiring

The HLPMPCONV will be wired to the Omni Control and the Pentair pump using two 4 position screw terminal connectors. These connectors can be removed from the board (pull straight up) for more convenient access. Do not attempt to install the board into the enclosure until wiring is complete.

Omni Control - Connect the included 15' 4 conductor communication cable from the Omni Control's low speed bus connector (refer to your Omni Control Installation manual for VSP connection) to the left connector on the HLPMPCONV as shown on the top of page 2.

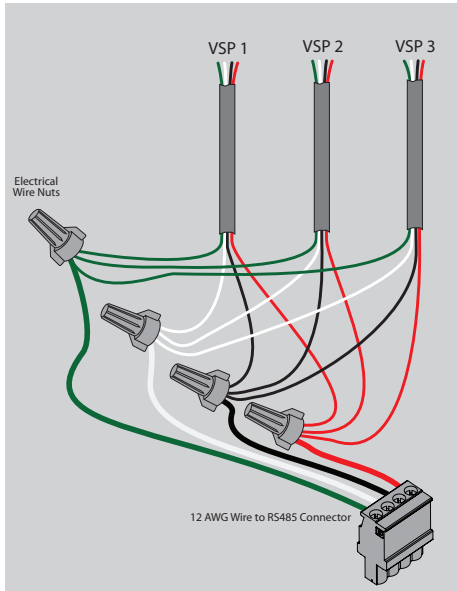
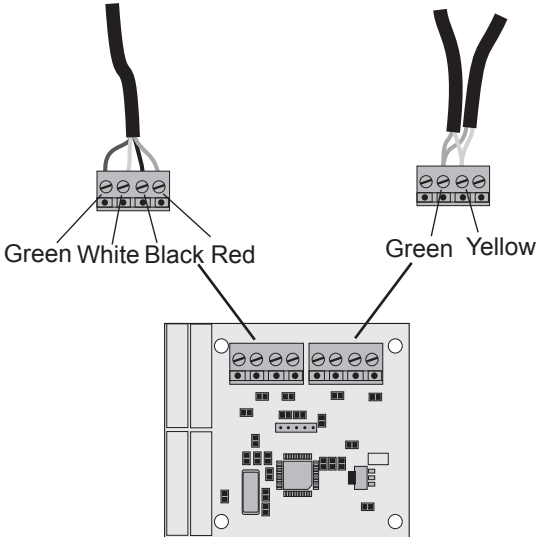
Pentair Pump - The Pentair pump communication cable (supplied with the pump) will only have 2 conductors and attaches to the right connector on the HLPMPCONV. Up to two pumps can be wired to this single connector as shown on the top of page 2. For 3 pumps, use a jumper as shown at the bottom of page 2.



HAYWARD®

From Omni Control

From Pentair Pump(s)



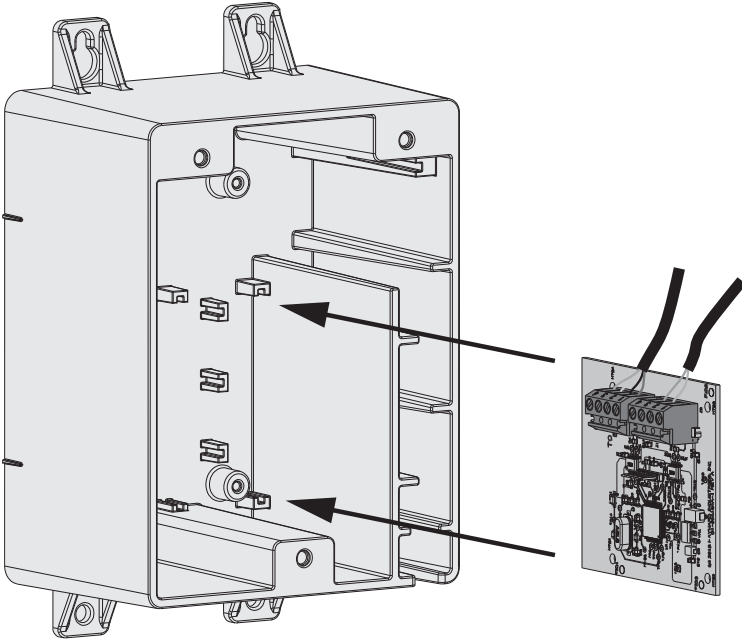
Use a jumper for systems with 3 pumps



HAYWARD®

Installing HLPMPCONV into the Enclosure

After wiring is complete, insert the HLPMPCONV into the enclosure as shown.

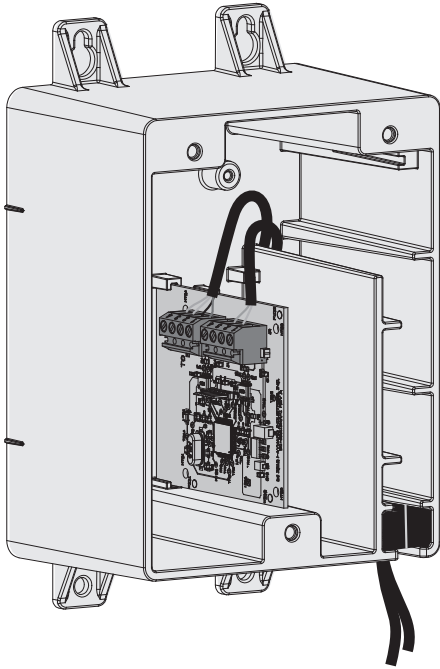




HAYWARD®

Routing wires through the wiring channel

Route the cables through the wiring channel and out the exit of the enclosure. Sandwich the cables at the exit point using one of the two tear out foam strips that are attached to the cover gasket. At the exit, lay the cables in the center of the strip and fold the strip in half. Insert the folded side down into the lowest section of the wiring channel as shown below. The open ends of the strip should be flush with the enclosure as shown.



Wires are sandwiched at exit and open end of foam strip should be flush with enclosure.

Install the cover back on to the enclosure and power on the Omni Control and Pentair pump(s). Proceed to Operation.



HAYWARD®

Operation

Update Firmware

Before attempting to operate your pump, your control's firmware must be updated. The control was shipped with the version of firmware that was available at the time of release which may not support the HLPMPCONV. To ensure proper support, update to the latest firmware version by going to <https://www.hayward.com/firmware> and downloading the latest Omni Control firmware files. Refer to the Release Notes on that page for upgrade instructions. After the update is complete, the pump can be configured.

Configuration and Operation

The Pentair VSP will need to be configured using your Omni Control's Configuration Wizard or Quick Edit function. Refer to your Omni Control's Installation manual for information on how to configure your pump. After configuration, you can set the run time, schedules and speed of the pump. This is explained in the Omni Control's Operation manual.



HAYWARD®

For further information or consumer
technical support, visit our website at
www.hayward.com



Hayward is a registered trademark
of Hayward Industries, Inc. © 2020 Hayward Industries, Inc.

All other trademarks not owned by Hayward are the property of their respective owners.
Hayward is not in any way affiliated with or endorsed by those third parties.

USE ONLY HAYWARD GENUINE REPLACEMENT PARTS