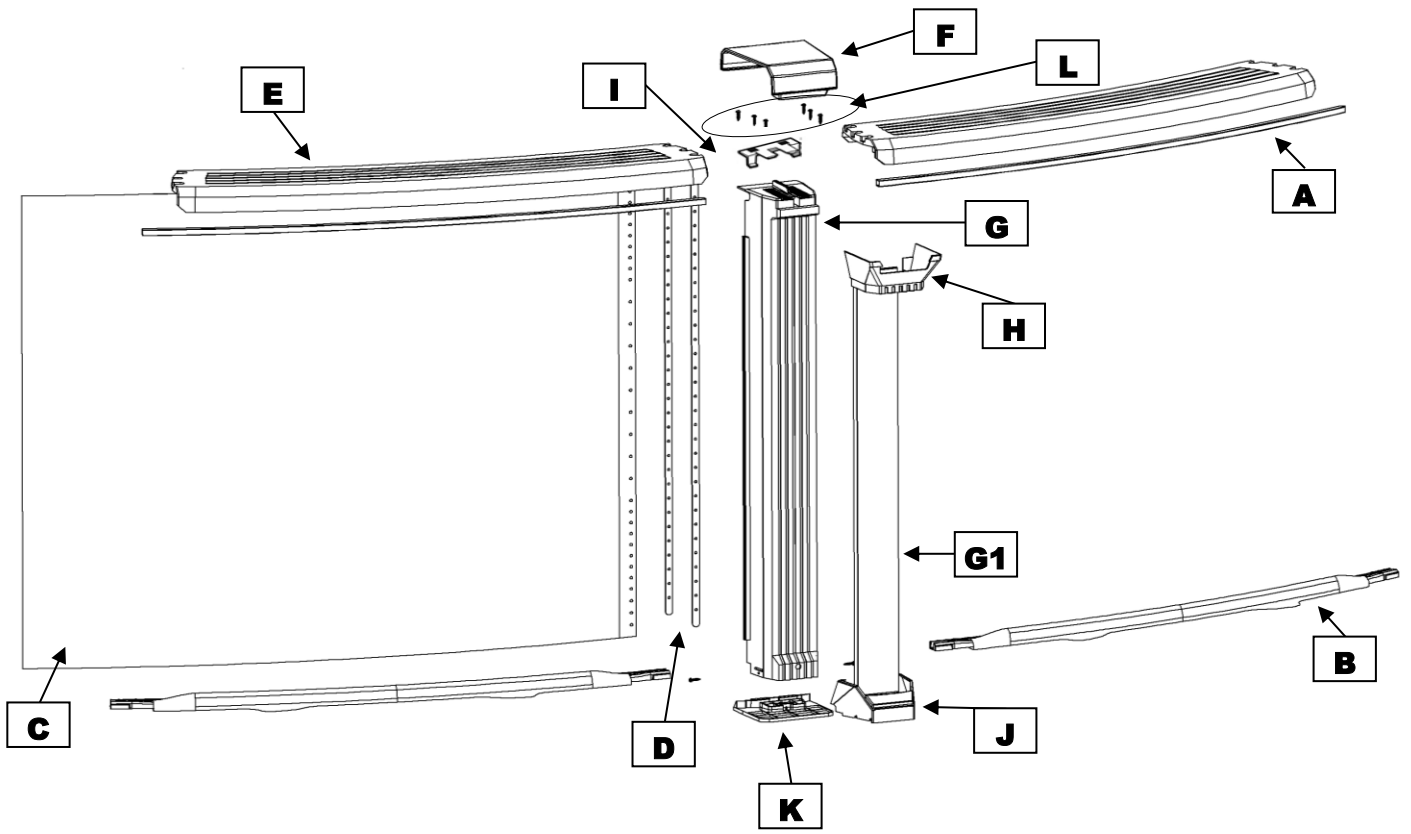


Quantum RRR
PQUA-54RRDRRRT21
Round



Product Description:
Product Code:

Quantum Round
PQUA-54RRDRRT21

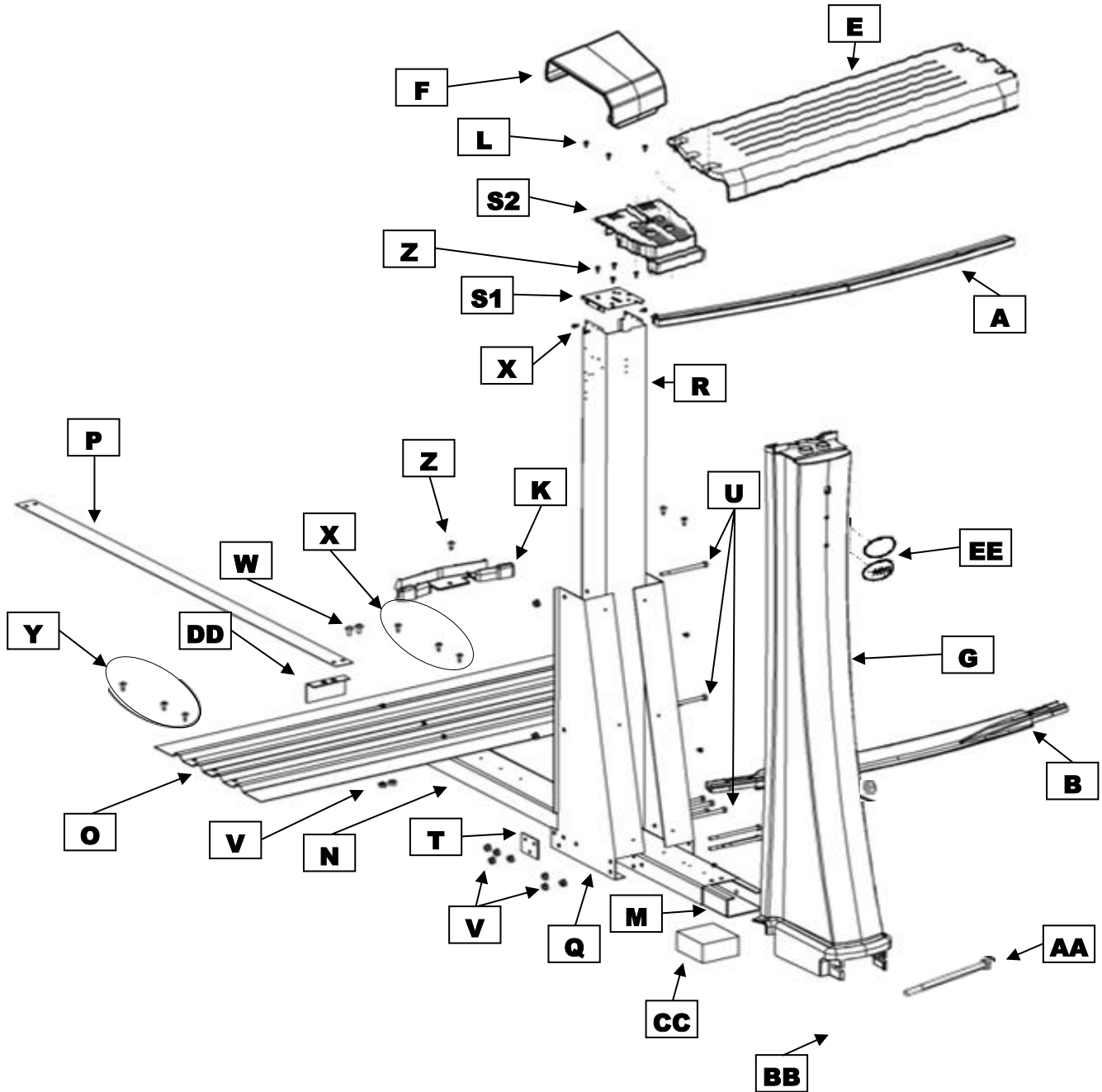
Revised Sept. 2017

				Quantity required for installation (by pool size)								
Index#	Description	Part #	Length	12	15	18	21	24	27	30	33	PRICING
A	Stabilizer 15', 18'	1071507160000		8	10	12						
A	Stabilizer 21', 24', 27'	1072407160000					14	16	18			
A	Stabilizer 30', 33'	1073007160000								20	22	
B	Bottom rail 12'	1081209160000		8								
B	Bottom rail 15'	1081509160000			10							
B	Bottom rail 18'	1081809160000				12						
B	Bottom rail 21'	1082109160000					14					
B	Bottom rail 24'	1082409160000						16				
B	Bottom rail 27'	1082709160000							18			
B	Bottom rail 30', 33'	1083009160000								20	22	
C	Steel wall		54"	1	1	1	1	1	1	1	1	
D	Steel bar	11825		2	2	2	2	2	2	2	2	
E	Top ledge	10109010000	56"	8	10	12	14	16	18	20	22	
F	Ledge Cover	1030009E10		8								
F	Ledge Cover	1030009E00			10	12	14	16	18	20	22	
G	Upright	10209010004	54"	8	10	12	14	16	18	20	22	
G1	Upright cap cover	10006		8	10	12	14	16	18	20	22	
H	Collar	1190009E00		8	10	12	14	16	18	20	22	
I	Securing hook	1180009E00		8	10	12	14	16	18	20	22	
J	Foot cover	1170009E00		8	10	12	14	16	18	20	22	
K	Bottom plate	1040007100		8	10	12	14	16	18	20	22	
L	Stainless screw 12 x 1"	2PPS121		80	80	96	112	128	144	160	176	
*	Hardware bag	1051500010		1	1							
*	Hardware bag	1051800010				1						
*	Hardware bag	1052100010					1					
*	Hardware bag	1052400010						1				
*	Hardware bag	1052700010							1			
*	Hardware bag	1053000010								1		
*	Hardware bag	1053300010									1	
**	Hardware for wall	1050000054		1	1	1	1	1	1	1	1	
	ThruSS phill 18-8 bolts 18-8 1/4-0x3/4	99-0023		31	31	31	31	31	31	31	31	
	Flange nuts S/S 1/4-20 Serrated	2FGS422		31	31	31	31	31	31	31	31	
	Installation DVD	SACWBI36875		1	1	1	1	1	1	1	1	

* In the hardware bag you will find part: #V12x34 - #2PPS121

** In ther hardware for wall you will find parts: #99-0023 - #2FGS422

Quantom RRR
PQUA-YM54RRDRRT21
Yardmore
Straight Section



Product Description :

Quantum Oval

Revised Sept. 2017

Product Code:

PQUA-YM54RRDRRT21

				Quantity required for installation (by pool size)						
Index#	Description	Part #	Length	1224	1526	1530	1833	1840	2143	PRICING
A	Stabilizer (Round section)	1071507160000		6	8	8	10	10		
A	Stabilizer (Round section)	1072407160000							10	
A	Stabilizer (Straight section)	10707000042		4	4	6	6	10	12	
A	Stabilizer -transition (End of straight side section)	1071507160010		4	4	4	4	4		
A	Stabilizer -transition (End of straight side section)	1072407160010							4	
B	Bottom rail (Round section)	1081209160000		6						
B	Bottom rail (Round section)	1081509160000			8	8				
B	Bottom rail (Round section)	1081809160000					10	10		
B	Bottom rail (Round section)	1082109160000							10	
B	Bottom rail (Straight side section)	10802000042		4	4	6	6	10	12	
B	Bottom rail transition (End of straight section)Right)	1081209160040		2						
B	Bottom rail transition (End of straight section)Right)	1081509160040			2	2				
B	Bottom rail transition (End of straight section)Left)	1081209160050		2						
B	Bottom rail transition (End of straight section)Left)	1081509160050			2	2				
B	Bottom rail transition (End of straight section)Right)	1081809160040					2	2		
B	Bottom rail transition (End of straight section)Left)	1081809160050					2	2		
B	Bottom rail transition (End of straight section)Right)	1082109160040							2	
B	Bottom rail transition (End of straight section)Left)	1082109160050							2	
C	Steel wall			1	1	1	1	1	1	
D	Steel bar	11825		2	2	2	2	2	2	
E	Top ledge	10109010000	56"	10	12	12	14	14	14	
E	Top Legde (straight section)	10109010042	42"	4	4	6	6	10	12	
F	Ledge cover	1030009E10		14						
F	Ledge Cover	1030009E00			16	18	20	24	26	
G	Upright	10209010004	54"	8	10	10	12	12	12	
G	Upright cover (straight section)	10209000004	54"	6	6	8	8	12	14	
G1	Upright cap cover	10006		8	10	10	12	12	12	
H	Collar	1190009E00		8	10	10	12	12	12	

Product Description :

Quantum Oval

Revised Sept. 2017

Product Code:

PQUA-YM54RRDRRT21

				Quantity required for installation (by pool size)						
Index#	Description	Part #	Length	1224	1526	1530	1833	1840	2143	PRICING
I	Securing hook	1180009E00		8	10	10	12	12	12	
J	Foot cover	1170009E00		8	10	10	12	12	12	
K	Bottom plate	1040007100		8	10	10	12	12	12	
K	Resin bottom plate straight section	10402000000		6	6	8	8	12	14	
L	Stainless screw 12 x 1"	2PPS121		100	126	138	151	178	190	
M	Under channel	15933		6	6	8	8	12	14	
N	Steel strap end channel	16539		6	6	8	8	12	14	
O	Steel pressure plate	16549		6	6	8	8	12	14	
P	Straps 12'	16724		6						
P	Straps 15'	16725			9	12				
P	Straps 18'	16726					12	18		
P	Straps 21'	22126							28	
Q	Right gusset	16375		6	6	8	8	12	14	
Q	Left gusset	16374		6	6	8	8	12	14	
R	Straight side steel upright	22151	54"	6	6	8	8	12	14	
S1	Metal top plate	10136R		6	6	8	8	12	14	
S2	Resin top plate	1040033E01		6	6	8	8	12	14	
T	Washer 3 holes	16663		12	12	16	16	24	28	
U	Bolt 5" x 5/16 - 18	99-0073		60	60	80	80	120	140	
V	Nut 5/16 - 18	99-0027		78	84	116	112	168	210	
W	Screw 1/2" x 5/16 - 18	99-0026		18	24	32	32	48	70	
X	Screw 1/2" #10	99-0068		70	70	90	90	130	150	
Y	Screw 12 x 3/4	V12x34		60	80	80	80	80	80	
Z	Screw 1" #10	99-0070		40	40	56	50	70	80	
AA	Bolt 5 1/2" x 1/4 - 20	2PCB520		6	6	8	8	12	14	
BB	Nut 1/4 - 20	2FGS422		6	6	8	8	12	14	
CC	Foam block	29917		6	6	8	8	12	14	
DD	Oval channel end cap	22726		6	6	8	8	12	14	
EE	Logo plain	13002000000		12	12	16	16	24	28	
*	Hardware bag	1051224010		1						
*	Hardware bag	1051526010			1					
*	Hardware bag	1051530010				1				
*	Hardware bag	1051833010					1			
*	Hardware bag	1051840010						1		
*	Hardware bag	1052143010							1	
**	Hardware for wall	1050000054		1	1	1	1	1	1	
***	Hardware bag	16720		1	1	2	2	3	3	
***	Hardware bag	16722		1	1				1	
****	Hardware bag	10522112		1						
****	Hardware bag	10522116			1					
****	Hardware bag	22113				1				
****	Hardware bag	10522117					1			
****	Hardware bag	10522118						1		

Product Description :**Quantum Oval**

Revised Sept. 2017

Product Code:**PQUA-YM54RRDRRT21**

				Quantity required for installation (by pool size)						
Index#	Description	Part #	Length	1224	1526	1530	1833	1840	2143	PRICING
****	Hardware bag	10522121							1	
	Thru ss phill 18-8 bolts 18-8 1/4-2x3/4	99-0023		31	31	31	31	31	31	
	Flange nuts S/S 1/4-20 Serrated	2FGS422		31	31	31	31	31	31	
	Installation DVD	SACWBI36875		1	1	1	1	1	1	

* in the hardware bag you will find parts: #V12x34 - 2PPS121

** In the hardware for wall you will find parts: #99-0023 - #2FGS422

*** In the hardware bag you will find parts: #99-0073 - #99-0027 - #16663

**** In the hardware bag you will find parts: #99-0073 - #99-0070 - #99-0068 - #99-0027 - #99-0026 - #V12x34 - #2PCB520 - #2FGS422