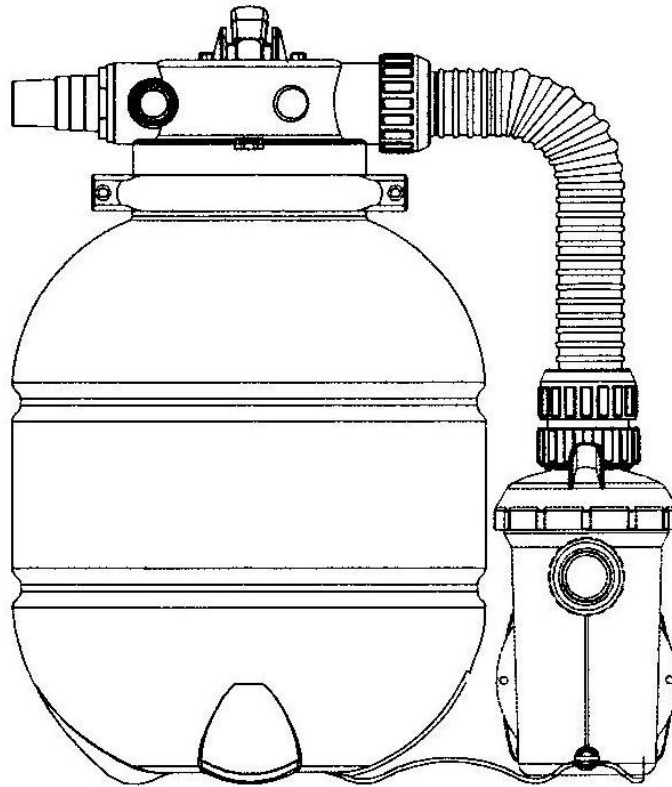


OWNER'S MANUAL

INSTALLATION, OPERATION & PARTS



SAND FILTER

Model VL40T32

Basic safety precautions should always be followed, including the following: Failure to follow instructions can cause severe injury and/or death.

⚠ This is the safety-alert symbol. When you see this symbol on your equipment or in this manual, look for one of the following signal words and be alert to the potential for personal injury.


⚠ WARNING warns about hazards that **could** cause serious personal injury, death or major property damage and if ignored presents a potential hazard.

⚠ CAUTION warns about hazards that **will** or **can** cause minor or moderate personal injury and/or property damage and if ignored presents a potential hazard. It can also make consumers aware of actions that are unpredictable and unsafe.

The **NOTICE** label indicates special instructions that are important but not related to hazards.

SAVE THIS INSTRUCTION MANUAL


Use only High Rate Sand No. 20 Silica Sand (.45mm - .55mm)




WARNING - Read and follow all instructions in this owner's manual and on the equipment. Failure to follow instructions can cause severe injury and/or death.




WARNING – Suction Entrapment Hazard.




Suction in suction outlets and/or suction outlet covers which are, damaged, broken, cracked, missing, or unsecured can cause severe injury and/or death due to the following entrapment hazards:




Hair Entrapment- Hair can become entangled in suction outlet cover.




Limb Entrapment- A limb inserted into an opening of a suction outlet sump or suction outlet cover that is damaged, broken, cracked, missing, or not securely attached can result in a mechanical bind or swelling of the limb.



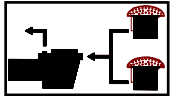
Body Suction Entrapment- A negative pressure applied to a large portion of the body or limbs can result in an entrapment.



Evisceration/ Disembowelment - A negative pressure applied directly to the intestines through an unprotected suction outlet sump or suction outlet cover which is, damaged, broken, cracked, missing, or unsecured can result in evisceration/ disembowelment.



Mechanical Entrapment- There is potential for jewelry, swimsuit, hair decorations, finger, toe or knuckle to be caught in an opening of a suction outlet cover resulting in mechanical entrapment.



WARNING - To Reduce the risk of Entrapment Hazards:

- o When outlets are small enough to be blocked by a person, a minimum of two functioning suction outlets per pump must be installed. Suction outlets in the same plane (i.e. floor or wall), must be installed a minimum of three feet (3') [1 meter] apart, as measured from near point to near point.
- o Dual suction fittings shall be placed in such locations and distances to avoid “dual blockage” by a user.
- o Dual suction fittings shall not be located on seating areas or on the backrest for such seating areas.
- o The maximum system flow rate shall not exceed the flow rating of as listed on Table 2.
- o Never use Pool or Spa if any suction outlet component is damaged, broken, cracked, missing, or not securely attached.
- o Replace damaged, broken, cracked, missing, or not securely attached suction outlet components immediately.
- o In addition two or more suction outlets per pump installed in accordance with latest ASME, APSP Standards and CPSC guidelines, follow all National, State, and Local codes applicable.
- o Installation of a vacuum release or vent system, which relieves entrapping suction, is recommended.



WARNING – Failure to remove pressure test plugs and/or plugs used in winterization of the pool/spa from the suction outlets can result in an increase potential for suction entrapment as described above.



WARNING – Failure to keep suction outlet components clear of debris, such as leaves, dirt, hair, paper and other material can result in an increase potential for suction entrapment as described above.



WARNING – Suction outlet components have a finite life, the cover/grate should be inspected frequently and replaced at least every ten years or if found to be damaged, broken, cracked, missing, or not securely attached.



CAUTION – Components such as the filtration system, pumps and heater must be positioned so as to prevent their being used as means of access to the pool by young children.




WARNING – Never operate or test the circulation system at more than 40 PSI.



CAUTION – All electrical wiring MUST be performed by a qualified professional, and MUST conform to local codes and regulations.



WARNING – Never change the filter control valve position while the pump is running.



WARNING – Hazardous Pressure. Pool and spa water circulation systems operate under hazardous pressure during start up, normal operation, and after pump shut off. Stand clear of circulation system equipment during pump start up. Failure to follow safety and operation instructions could result in violent separation of the pump housing and cover, and/or filter housing and clamp due to pressure in the system, which could cause property damage, severe personal injury, or death. Before servicing pool and spa water circulation system, all system and pump controls must be in off position. Before starting system pump, all system valves must be set in a position to allow system water to return back to the pool. Do not change filter control valve position while system pump is running.



USE ONLY HAYWARD GENUINE REPLACEMENT PARTS



⚠ WARNING – Separation Hazard. Failure to follow safety and operation instructions could result in violent separation of pump and/or filter components. Strainer cover must be properly secured to pump housing. Do not operate pool and spa circulation system if a system component is not assembled properly, damaged, or missing. Do not operate pool and spa circulation system unless filter valve is locked into position in filter body.



⚠ WARNING – Electrical Ground motor before connecting to electrical power supply. Failure to ground pump motor can cause serious or fatal electrical shock hazard.

⚠ WARNING – Do NOT ground to a gas supply line.

⚠ WARNING – To avoid dangerous or fatal electrical shock, turn OFF power to motor before working on electrical connections.

Your Hayward VL Series sand filter is a totally corrosion-proof filter that blends superior flow characteristics and features with ease of operation. It is virtually foolproof in design and operation and when installed, operated and maintained according to instructions, your filter will produce clear, sparkling water with only minimal attention and care.

HOW IT WORKS

Your filter uses special filter sand to remove dirt particles from pool water. Filter sand is loaded into the filter tank and functions as the permanent dirt removing media. The pool water, which contains suspended dirt particles, is pumped through your piping system and is automatically directed by the filter control valve to the top of the filter tank. As the pool water is pumped through the filter sand, dirt particles are trapped by the sand bed, and filtered out. The cleaned pool water is returned from the bottom of the filter tank, through the control valve and back to the pool through the piping system. This entire sequence is continuous and automatic and provides total recirculation of pool water through your filter and piping system.

After a period of time, the accumulated dirt in the filter causes a resistance to flow, and the flow diminishes. This means it is time to clean (backwash) your filter. With the control valve in the backwash position, the water flow is automatically reversed through the filter so that it is directed to the bottom of the tank, up through the sand, flushing the previously trapped dirt and debris out the waste line. Once the filter is backwashed (cleaned) of dirt, the control valve is manually resequenced to Rinse, and then Filter, to resume normal filtering.

INSTALLATION

Only simple tools (screwdriver and wrenches), plus TFE tape for plastic adapters, are required to install and/or service the filter.

1. The filter system should be installed, 1 1/2 feet below pool water level, on a *level* concrete slab, very firm ground, or equivalent, as recommended by your pool dealer. Position the filter so that the piping connections, control valve are accessible for operation, service and winterizing.
2. Assemble pump strainer basket to pump.

3. Loading sand media. Filter sand media is loaded through the top opening of the filter.
 - a. Loosen flange clamp and remove Filter Control Valve (if previously installed).
 - b. Cap internal pipe with sand shield to prevent sand from entering it. Be sure pipe is securely in place in bottom underdrain hub.
 - c. We recommend filling tank approximately 1/2 way with water to provide a cushioning effect when the filter sand is poured in. This helps protect the underdrain from excessive shock.
 - d. Carefully pour in correct amount and grade of filter sand, as specified on Table 1. (Be sure center pipe remains centered in opening). Remove sand shield from internal pipe.
4. Assemble Filter Control Valve to filter tank.
 - a. Loosely pre-assemble both halves of the clamp with one screw and one nut, turning the nut 2 or 3 turns. Do not tighten. Wipe filter flange clean.
 - b. Insert Filter Control Valve (with valve/flange o-ring in place) into the tank neck, taking care that the center pipe slips into the hole in the bottom of the valve. Install clamp around tank and valve flange and assemble second screw and nut. Tighten just enough so that the valve may be rotated on tank for final positioning.
 - c. Carefully screw pressure gauge, into 1/4" NPT tapped hole in valve body. Make sure the o-ring is in place. Do not over tighten.
 - d. Connect pump to control valve opening marked IN (See last Page of this Owner's Guide for an illustration.) After connections are made, tighten valve flange clamp with screwdriver, tapping around clamp with screwdriver handle to help seat valve flange clamp.
5. Make return to pool pipe connection to control valve opening marked OUT and complete other necessary plumbing connections, suction lines to pump, waste, etc.
6. Make pump electrical connection to grounded, GFCI protected, 110 VAC circuit.

USE ONLY HAYWARD GENUINE REPLACEMENT PARTS



INITIAL START-UP OF FILTER

1. Be sure correct amount of filter sand media is in tank (42 pounds of sand) and that all connections have been made and are secure.
2. Lift control valve handle and rotate to BACKWASH position. (To prevent damage to control valve seal, always lift handle before turning.) Lock valve handle into position.
3. When all the valves are open in a flooded suction system (water source above the pump, the pump basket should fill with water. Otherwise, fill pump basket with water to prime the pump. Tighten strainer cover hand tight. Start the pump (be sure all suction and return lines are open), allowing the filter tank to fill with water. **NEVER RUN PUMP DRY**



WARNING: ALL SUCTION AND DISCHARGE VALVES MUST BE OPEN WHEN STARTING THE SYSTEM. FAILURE TO DO SO COULD CAUSE SEVERE PERSONAL INJURY.

Once water flow is steady out the waste line, run the pump for at least 1 minute. The initial back-washing of the filter is recommended to remove any impurities or fine sand particles in the sand media.

4. Turn pump off and set valve to RINSE position. Start pump and operate until water in sight glass is clear—about 1/2 to 1 minute. Turn pump off, set valve to FILTER position and restart pump. Your filter is now operating in the normal filter mode, filtering particles from the pool water.
5. Adjust pool suction and return valves to achieve desired flow. Check system and filter for water leaks and tighten connections, bolts, nuts, as required.
6. Note the initial pressure gauge reading when the filter is clean. (It will vary from pool to pool depending upon the pump and general piping system). As the filter removes dirt and impurities from the pool water, the accumulation in the filter will cause the pressure to rise and flow to diminish. When the pressure gauge reading is 5 psi (0.34 BAR) higher than the initial "clean" pressure you noted, it is time to backwash (clean) the filter (see BACKWASH under Filter Control Valve Functions.) Note: Cleaning should be done when the total pressure reading is above 5 psi.

NOTE: During initial clean-up of the pool water it may be necessary to backwash frequently due to the unusually heavy initial dirt load in the water.

KEEP SAFETY LABELS IN GOOD CONDITION AND REPLACE IF MISSING OR DAMAGED.

IMPORTANT: To prevent unnecessary strain on piping system and valving, always shut off pump before switching Filter Control Valve positions.

To prevent damage to the pump and filter and for proper operation of the system, clean pump strainer and skimmer baskets regularly.

FILTER CONTROL VALVE FUNCTIONS

FILTER—Set valve to FILTER for normal filtering. Also use for regular vacuuming.

BACKWASH—For cleaning filter. When filter pressure gauge rises above 5 psi.

Stop the pump, set valve to BACKWASH. Start pump and backwash until water in sight glass is clear. Approximately 2 minutes or less depending on dirt accumulation. Proceed to RINSE.

RINSE—After backwashing, with pump off, set valve to RINSE. Start pump and operate for about 1/2 to 1 minute. This ensures that all dirty water from backwashing is rinsed out of the filter to waste, preventing possible return to the pool. Stop pump, set valve to FILTER, and start pump for normal filtering.

CLOSED—Shuts off flow from pump to pool.

WINTERIZING

1. Lift control valve handle and rotate so as to set pointer on valve top between any two positions. Leave valve in this "inactive" position.
2. Remove valve from the filter body. Allow it to completely drain. Set the valve in a dry place.
3. Drain the water from the tank.
4. Remove the strainer housing from the pump.
5. Drain and winterize pump.

SERVICE & REPAIRS

Consult your local authorized *Hayward* dealer or service center. No returns may be made directly to the factory without the expressed authorization of Hayward Pool Products, Inc.

PLEASE REALIZE.

Pure, clear swimming pool water is a combination of two factors—adequate filtration and proper water chemistry balance. One without the other will not give the clean water you desire.

Your filter system is designed for continuous operation. However, this is not necessary for most swimming pools. You can determine your filter operation schedule based on your pool size and usage. Be sure to operate your filtration system long enough each day to obtain at least one complete turnover of your pool water.

To properly sanitize your pool, maintain a free chlorine level of 1 to 3 ppm and a pH range of 7.2 to 7.6. Insufficient chlorine or an out of balance pH level will permit algae and bacteria to grow in your pool and make it difficult for your filter to properly clean the pool water.

USE ONLY HAYWARD GENUINE REPLACEMENT PARTS

SPECIFICATIONS

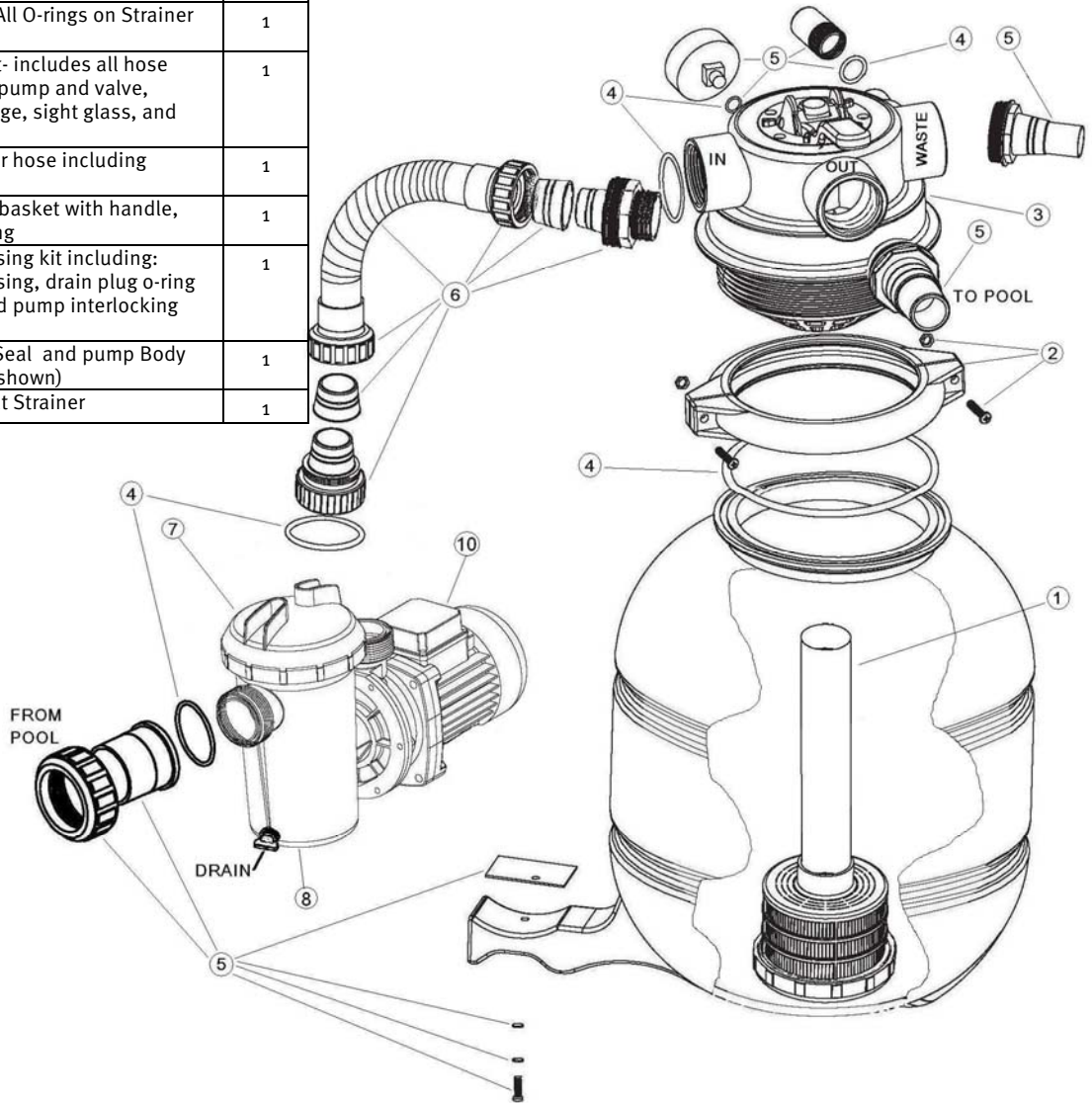
| MODEL NUMBER | EFFECTIVE FILTRATION AREA | | MAXIMUM WORKING PRESSURE | | MEDIA REQUIRED | | | INSTALLED HEIGHT | |
|--------------|---------------------------|----------------|--------------------------|-----|----------------|--------|----|------------------|-----|
| | FT ² | M ² | PSI | BAR | TYPE | AMOUNT | | INCH | MM |
| | | | | | FILTER SAND** | LBS | KG | | |
| VL40T32 | .95 | .09 | 29 | 2.0 | .45-.55mm | 42 | 19 | 22 | 560 |

SPARE PARTS Model VL40T32

TABLE 1

**Also known as No. 20 Silica Sand.

| REF NO | PART NO. | DESCRIPTION | NO. REQ |
|--------|----------|---|---------|
| 1 | VLX4001A | Stand Pipe and Underdrain Assy | 1 |
| 2 | VLX4002A | Clamp, Clamp Hardware | 1 |
| 3 | VLX4003A | Multi-Port Valve | 1 |
| 4 | VLX4004A | O-Ring Kit – All O-rings on Strainer and Filter | 1 |
| 5 | VLX4005A | Accessory Kit- includes all hose adapters for pump and valve, pressure gauge, sight glass, and drain plug | 1 |
| 6 | VLX4006A | Pump to Filter hose including adapters | 1 |
| 7 | VLX4007A | Strainer lid, basket with handle, Strainer O-ring | 1 |
| 8 | VLX4007K | Strainer Housing kit including: Strainer Housing, drain plug o-ring and plug, and pump interlocking nut | 1 |
| 9 | VLX4008 | Pump Shaft Seal and pump Body O-Ring (Not shown) | 1 |
| 10 | VLX4009 | Pump without Strainer | 1 |



USE ONLY HAYWARD GENUINE REPLACEMENT PARTS

MAXIMUM RECOMMENDED SYSTEM FLOW RATE BY PIPE SIZE

| Pipe Size | Flow rate | Pipe Size | Flow rate |
|-----------|-----------------|-----------|-----------------|
| [mm] | GPM [Liter/Min] | [mm] | GPM [Liter/Min] |
| 1" | 20 | 1 1/2" | 45 |
| [32] | [75] | [50] | [170] |
| 1 1/4" | 30 | 2" | 80 |
| [40] | [110] | [63] | [300] |

TABLE 2

PRODUCT REGISTRATION

(Retain For Your Records)

DATE OF INSTALLATION _____

PURCHASED FROM _____

MODEL _____ SERIAL NUMBER _____

▲ Retain this Warranty Certificate in a safe and convenient location for your records.

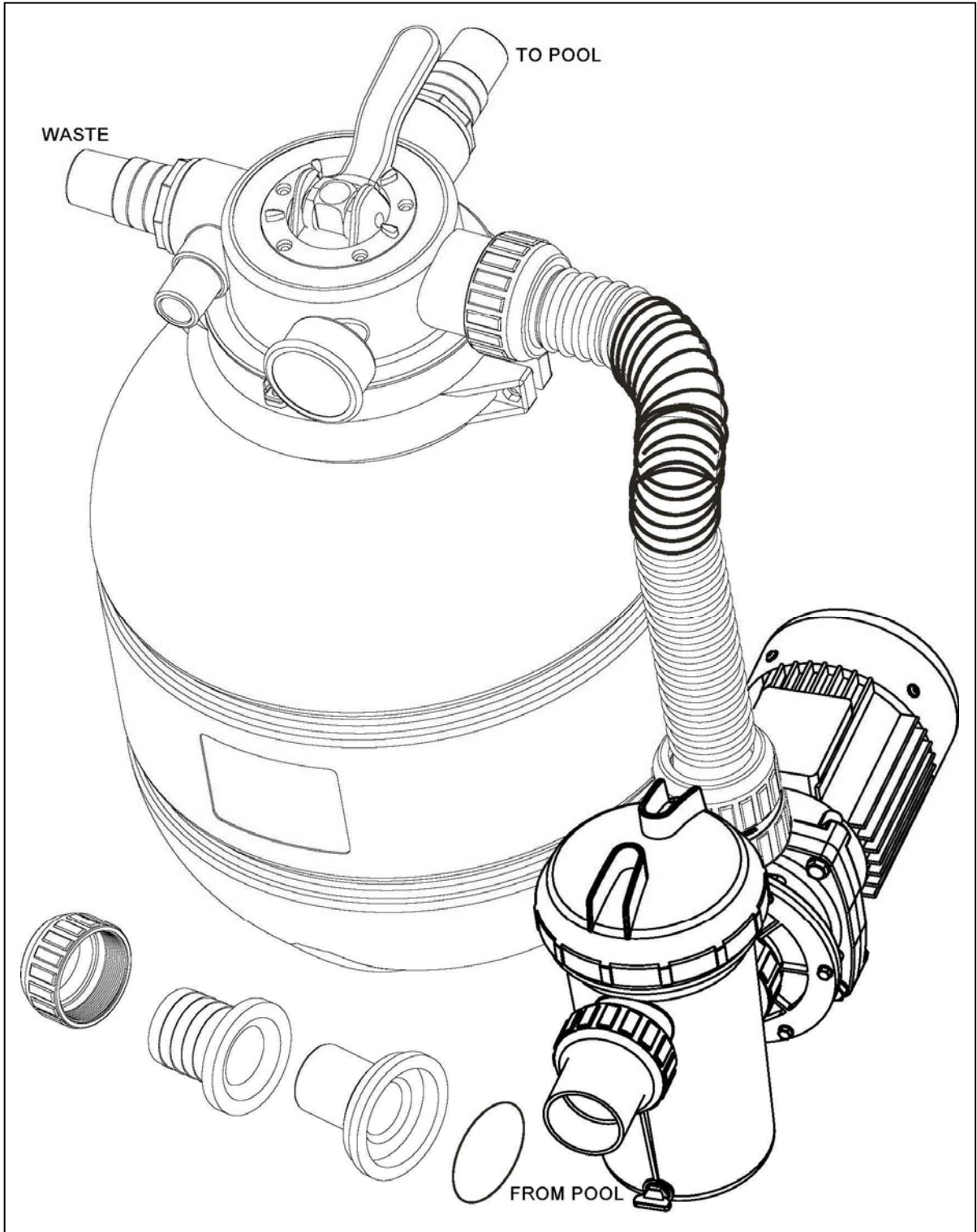
PROBLEM SOLVING LIST

| REMEDY | LOW WATER FLOW | SHORT FILTER CYCLES | POOL WATER WON'T CLEAR UP |
|--------|---|---|---|
| | <ol style="list-style-type: none"> 1. Check skimmer and pump strainer baskets for debris. 2. Check for restrictions in intake and discharge lines. 3. Check for air leak in intake line (indicated by bubbles returning to pool). 4. Backwash filter. | <ol style="list-style-type: none"> 1. Check for algae in pool and superchlorinate as required. 2. Be sure chlorine and pH levels are in proper range (adjust as required). 3. Check surface of filter sand for crusting or caking (remove 1 " of sand if necessary). | <ol style="list-style-type: none"> 1. Check chlorine, pH and total alkalinity levels and adjust as required. 2. Be sure flow rate through filter is sufficient. 3. Operate filter for longer periods. 4. Be sure multiport valve is set on "Filter" position. |

SUGGESTED POOL CHEMISTRY LEVELS

| | |
|--|-----------------|
| pH | 7.2 to 7.6 |
| TOTAL ALKALINITY | 80 to 120 ppm |
| CALCIUM HARDNESS | 200 to 400 ppm |
| COMBINED CHLORINE | 0.2 ppm Maximum |
| CHLORINE (STABILIZED) | 1.0 to 3.0 ppm |
| CHLORINE STABILIZER (Cyanuric Acid) | 60 to 80 ppm |

USE ONLY HAYWARD GENUINE REPLACEMENT PARTS



USE ONLY HAYWARD GENUINE REPLACEMENT PARTS



HAYWARD® LIMITED WARRANTY

To original purchasers of this equipment, Hayward Pool Products, warrants its products to be free from defects in materials and workmanship for a period of ONE (1) year from the date of purchase. Hoses, seals, gauges, baskets and o-rings are warranted for defects in materials and workmanship for a period of thirty days.

Parts which are found defective during the warranty period, except as a result of freezing, flood, fire, accident, lightning, negligence, improper installation, use, or care, shall be repaired or replaced, at our option.

Proof of purchase is required for warranty service. To obtain warranty service or repair, please contact the place of purchase or the nearest authorized Hayward warranty service center. For additional Hayward dealer or service center information, please visit www.haywardpool.com. No returns may be made directly to the factory without the express written authorization of Hayward Pool Products.

Hayward shall not be responsible for cartage, removal and/or reinstallation labor or any other such costs incurred in obtaining warranty replacements.

The Hayward Pool Products warranty does not apply to components manufactured by others. For such products, the warranty established by the respective manufacturer will apply.

Some states do not allow a limitation on how long an implied warranty lasts, or the exclusion or limitation of incidental or consequential damages, so the above limitation or exclusion may not apply to you.

This warranty gives you specific legal rights, and you may also have other rights, which vary from state to state.

Hayward Pool Products
620 Division Street
Elizabeth, NJ 07207

*Supersedes all previous publications.

▼ DETACH HERE: Fill out bottom portion completely and mail within 10 days of purchase/installation.
REGISTER ONLINE AT WWW.HAYWARDNET.COM.



Mail to: Hayward Pool Products, Inc., 620 Division Street, Elizabeth, NJ 07207, Attn: Warranty Dept.



Warranty Registration Card

Name _____

Years pool has been in service less than 1 1-3 3-5 5-10

Address _____

Purchased from: _____

City _____ State _____ Zip _____

Company name _____

E-mail Address _____

Address _____

Product Purchased _____

City _____ State _____ Zip _____

Product Serial No. _____

Please send me more information on these other products from Hayward:

New Installation Replacement

Pump Filter Automatic Pool Cleaner Light

Type of Pool:
 Vinyl Soft Sided

Chlorinator Skimmer Heater Heat Pump

Salt/Chlorine Generator Controls

Size of Pool _____

REGISTER ONLINE AT WWW.HAYWARDNET.COM

© Hayward Pool Products, Inc. 2010 All rights

USE ONLY HAYWARD GENUINE REPLACEMENT PARTS