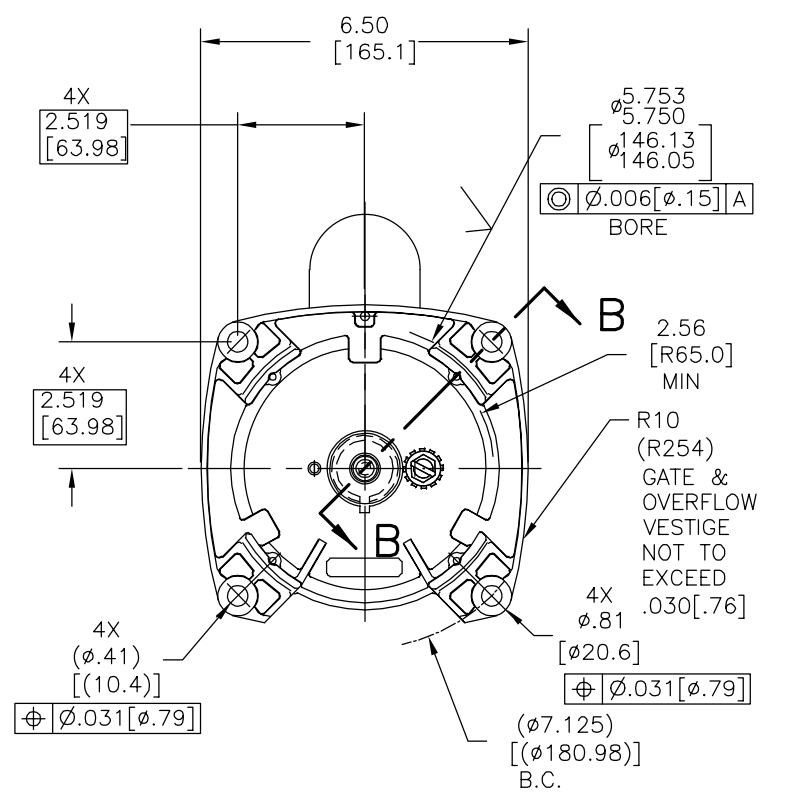
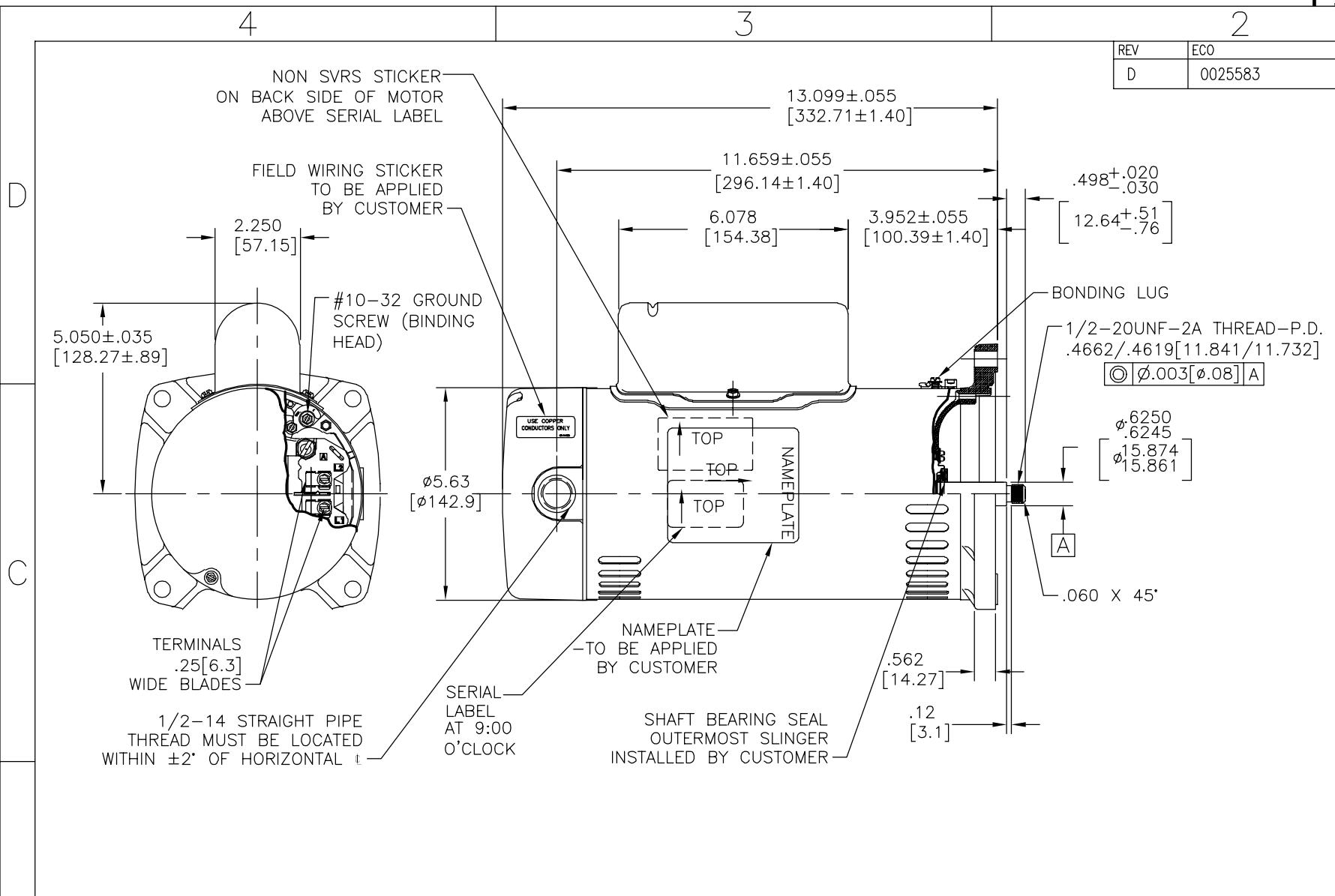
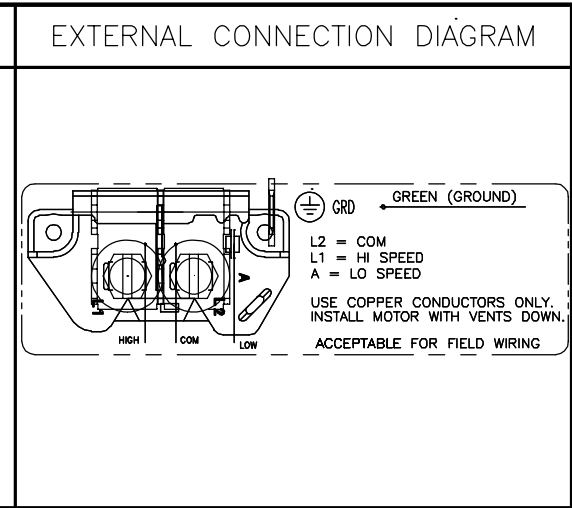


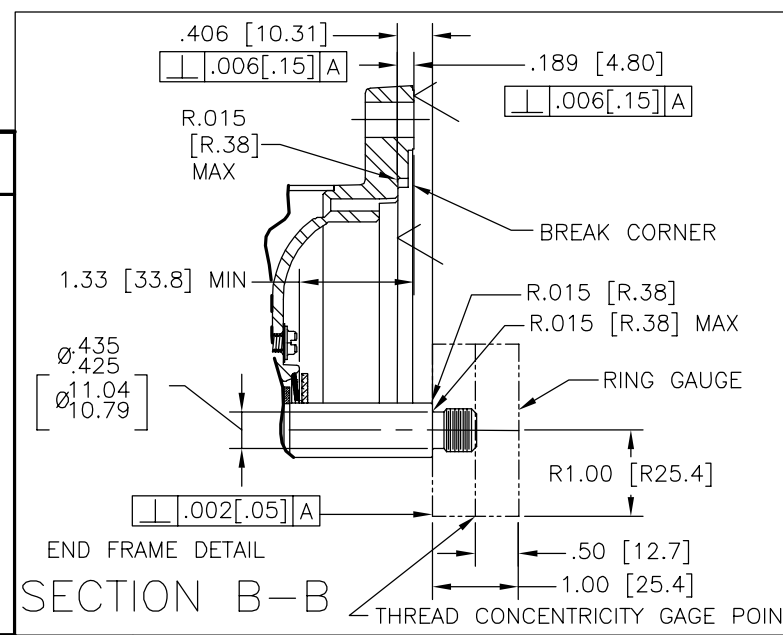
REV	ECO	REV BY	DATE	APPD	DATE
D	0025583	A. ARREOLA	05-03-2012	D. BALDERRAMA	05-03-2012



NAMEPLATE DATA	
MODEL: K48K2PA103B3	CUST PN: UQS1102R
HP: 1, 1/6	SF: 1.25
ROT: CCWPE	
RPM: 3450/1725	
TYPE: F/C	CODE: K
FORM:	FRAME: 48 Y
VOLTS: 230	
AMPS:	
MAX AMPS: 6.1/2.1	
SF AMPS: -	
PH: 1	HZ: 60
INS: B	AMB: 50°
DUTY: CONT	
ENCLOSURE: ODP	
THERMALLY PROTECTED	



- NOTES
1. FINISH PAINT TO BE SATIN BLACK.
 2. .44 [11.2] WRENCH FLATS ON SHAFT- FOR ACCESS TO THIS WRENCH FLAT REMOVE END COVER.
 3. STAINLESS STEEL SHAFT EXT.
 4. LIMITS ON AMPLITUDE OF VIBRATION MEASURED AT BEARING-HOUSING=.001 [.02].
 5. CAPACITOR HOUSING TO BE LOCATED WITHIN ±2.5' OF VERTICAL OF END FRAME (P.E.).



PERFORMANCE CURVE	APPROVED SAMPLE		
K48K2W7			
UL COMPONENT	CSA		
FILE#	CCN#	FILE#	GUIDE#
E46412	PRGY2	LR43341	4211-01
CUSTOMER	DISTRIBUTION SERVICES		

GEOMETRIC CHARACTERISTICS & SYMBOLS

- FLATNESS
- STRAIGHTNESS
- ∠ ANGULARITY
- ⊥ PERPENDICULARITY (SQUARENESS)
- // PARALLELISM
- ROUNDNESS (CIRCULARITY)
- ∅ CYLINDRICITY
- △ PROFILE OF ANY SURFACE
- ∧ PROFILE OF ANY LINE
- ↑ RUNOUT
- ⊕ TRUE POSITION
- ◎ CONCENTRICITY
- ≡ SYMMETRY

ASME Y14.5M 1994

UNLESS OTHERWISE SPECIFIED DIM. TOLERANCES ARE AS FOLLOWS:

INCH	±.1	±.02	±.005	±.0005
mm	±0.5	±0.13	±0.013	

ANG. ±.50 DEG
REMOVE BURRS & BREAK SHARP EDGES:
INCH .003-.015 mm 0.1-0.4
CORNER FILLETS TO:
INCH .020 mm 0.5
MACHINE SURFACES:
INCH 125 mm 3.2

METRIC DIMS. SHOWN IN [BRACKETS]

DR BY: JLG 05-12-2009

APPD:

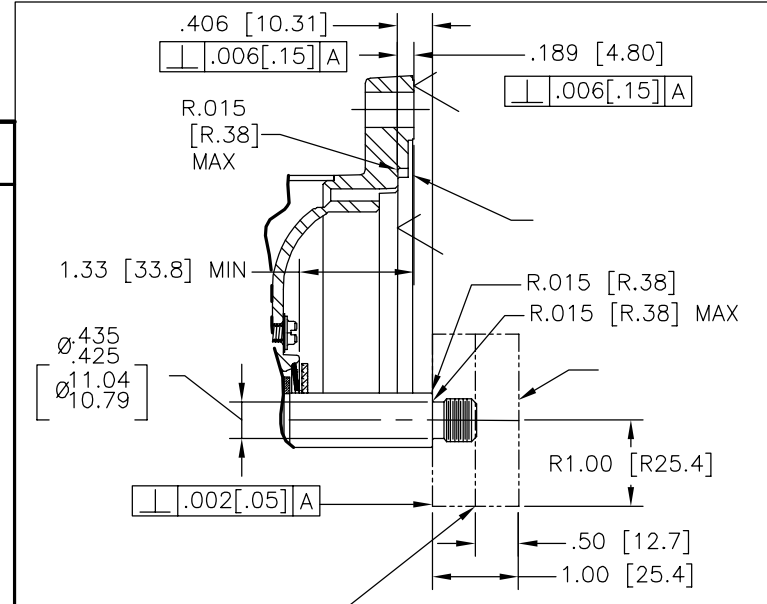
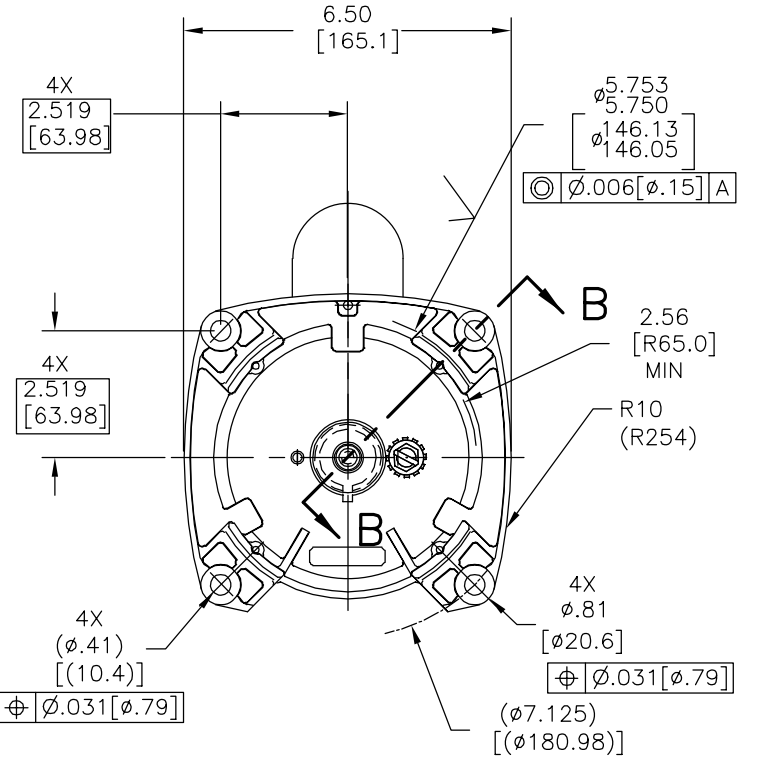
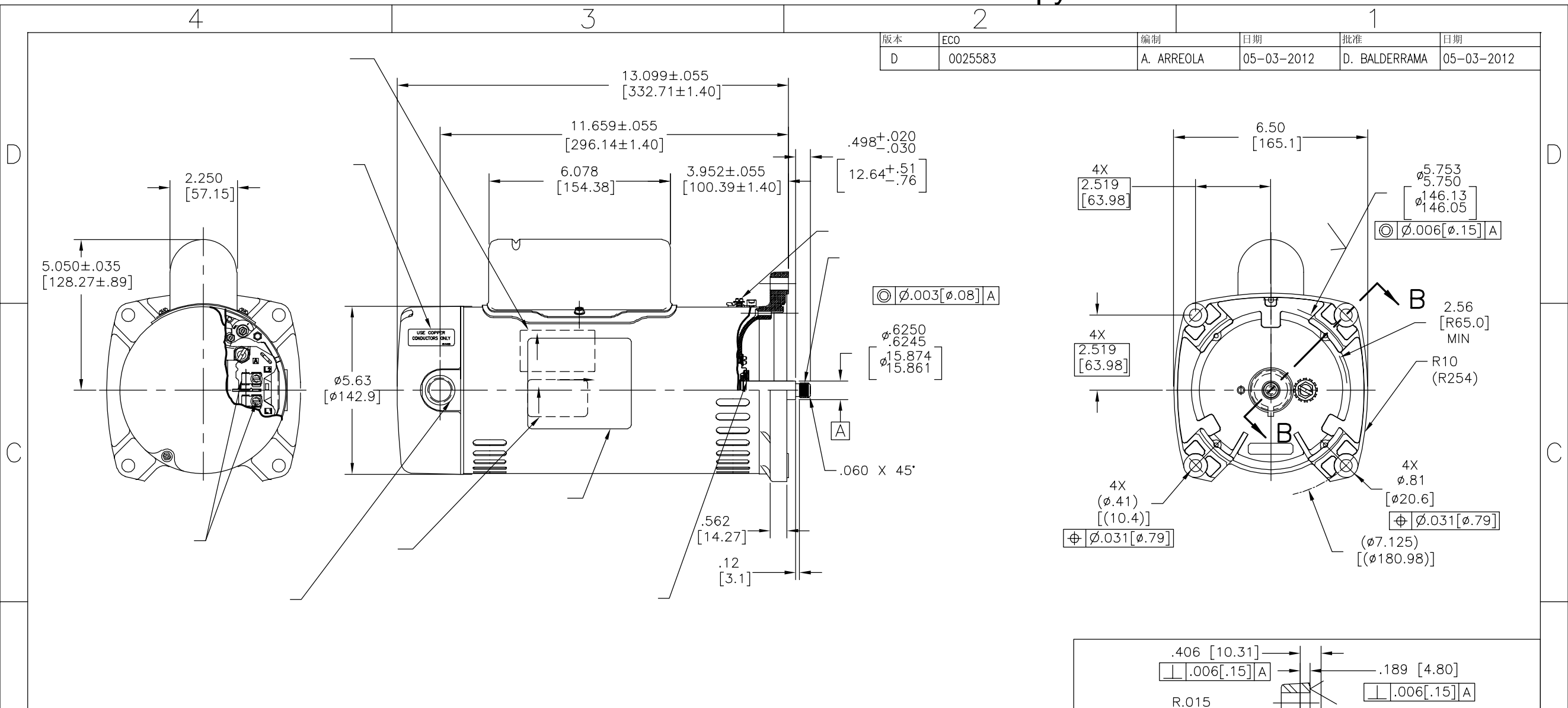
THIRD ANGLE PROJECTION

EDS DATE 11-11-2011
FORMAT REV G

CONFIDENTIAL: THIS DRAWING AND ITS INFORMATION ARE THE EXCLUSIVE AND CONFIDENTIAL PROPERTY OF REGAL-BELOIT CORPORATION AND ARE NOT TO BE DISCLOSED, DUPLICATED, DISTRIBUTED OR OTHERWISE USED WITHOUT THE WRITTEN CONSENT OF REGAL-BELOIT CORPORATION. -ALL RIGHTS RESERVED.

DESCRIPTION	
MODEL-PFHP-48FR OUTLINE	
SIZE	DWG NO
C	UQS1102R
SCALE	SHEET
NONE	1

版本	ECO	编制	日期	批准	日期
D	0025583	A. ARREOLA	05-03-2012	D. BALDERRAMA	05-03-2012



NAMEPLATE DATA		EXTERNAL CONNECTION DIAGRAM	NOTES
MODEL: K48K2PA103B3 CUST PN: UQS1102R HP: 1, 1/6 SF: 1.25 ROT: CCWPE RPM: 3450/1725 TYPE: F/C CODE: K FORM: FRAME: 48 Y VOLTS: 230 AMPS: MAX AMPS: 6.1/2.1 SF AMPS: - PH: 1 HZ: 60 INS: B AMB: 50° DUTY: CONT ENCLOSURE: ODP THERMALLY PROTECTED			

PERFORMANCE CURVE	APPROVED SAMPLE		
K48K2W7			
UL COMPONENT	CSA		
FILE#	CCN#	FILE#	GUIDE#
E46412	PRGY2	LR43341	4211-01
CUSTOMER	DISTRIBUTION SERVICES		

形位公差	除另有注明
□ 平面度	尺寸公差如下:
— 直线度	英寸 X XX XXX XXXX
∠ 倾斜度	英寸 ±.1 ±.02 ±.005 ±.0005
⊥ 垂直度	毫米 ±0.5 ±0.13 ±0.013
∥ 平行度	角度 ±.50 度
○ 圆度	清理毛刺和尖棱
⊙ 圆柱度	英寸 .003-.015 毫米 0.1-0.4
△ 面轮廓度	内圆角
∇ 线轮廓度	英寸 .020 毫米 0.5
↗ 圆跳动	表面粗糙度
↑ 位置度	英制 125 米制 3.2
◎ 同轴度	米制尺寸显示在 []
≡ 对称度	

绘图:	JLG	05-12-2009
批准:		
第三角投影		图纸格式发布日期 11-11-2011 图纸格式版本 G
机密: 本图纸及相关信息所有权归REGAL-BELOIT CORPORATION. 未经REGAL-BELOIT CORPORATION书面授权, 不得泄露、复制、传播或作其他用途。一版权所有		

名称	
MODEL-PFHP-48FR	
OUTLINE	
图幅	图号
C	UQS1102R
比例	页号
NONE	1

ASME Y14.5M 1994
