



T7™ DIVING SYSTEM

Assembly & Installation Instructions



3050 S. ALVERNON WAY • TUCSON, AZ 85713
520.790.7040 • 800.737.5386 • FAX 520.790.7127
inter-fab.com

For Technical Support or Assistance,
Contact Customer Service at:

**INTER-FAB, INC.
3050 S. ALVERNON WAY
TUCSON, AZ 85713
(800) 737-5386**

or visit: www.inter-fab.com

To obtain complete copies of the ANSI/NSPI-5 2003
Standard for Residential Inground Pools or to obtain
copies of the “Plan Your Dive, Steer Up” or “The
Sensible Way to Enjoy Your Inground Swimming Pool”
contact:

**The Association of Pool & Spa Professionals
(APSP)
2111 Eisenhower Ave.
Alexandria, VA 22314
(703) 838-0083**

or visit: www.theapsp.org

TABLE OF CONTENTS:

Safety First2

Intended Use Instructions3

Important Notices to the Installer.....4

Minimum Diving Water Envelope Information.....5

T7 Placement6

T7 Jig Info & Placement Tips7

Step 1: Install Water Feature (optional equipment)8-9

Step 2: T7 Assembly.....9-10

T7 Exploded View & Parts List.....11

T7 Care & Maintenance12

Article 5 Extracted from ANSI/NSPI-5 200313-18

Inter-Fab Limited Warranty.....19

SAFETY FIRST!

This Inter-Fab diving board and stand shall be installed only by a professional swimming pool contractor or with the direct supervision of a licensed professional, engineer or architect. Diving boards may be installed only on residential inground swimming pools properly designed for their use.

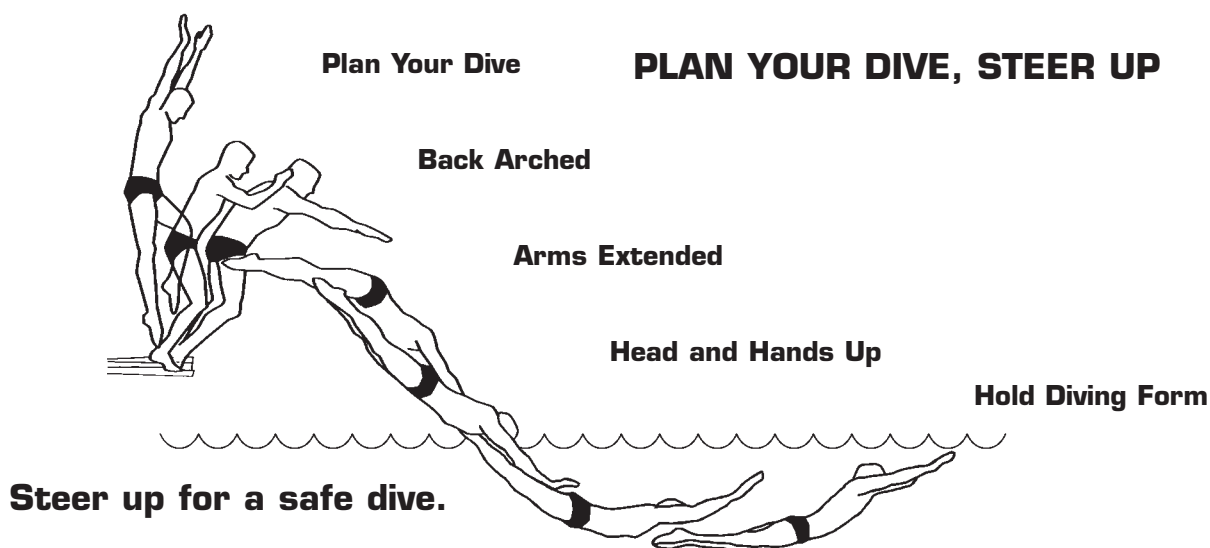
Diving boards that are improperly installed can be very dangerous to the user resulting in possible serious head and/or spinal column injury, including the paralysis or death of the user.

It is very important that this diving board and stand be installed only on Type 1 or greater pools built in strict accordance with the American National Standard for Residential Inground Swimming Pools (ANSI/NSPI-5 2003) and in accordance with the included INTER-FAB RESIDENTIAL POOL SPECIFICATIONS TABLE 2.

In addition to the above standard and referenced table, these installation instructions provided by Inter-Fab, Inc. must be diligently followed.

It is also important that any and all warnings provided with the diving board be strictly adhered to and posted in a conspicuous location. If not provided or they are misplaced, please purchase warning signs from your pool contractor or professional pool supply store and post them in a location that the users of the diving board can clearly see.

**FOR RESIDENTIAL INGROUND SWIMMING POOL USE ONLY
NO COMMERCIAL, PUBLIC OR SEMI-PUBLIC USE IS ALLOWED
ONLY ONE PERSON ON THE DIVING BOARD AT ONE TIME
MAXIMUM WEIGHT = 300 LBS**



DIVING TIPS: Even the safest equipment must be used properly. Inter-Fab promotes safe diving by offering these tips on the proper use of your diving board: always dive into water that meets depth requirements, with arms extended; be aware of the bottom and the walls of the pool; avoid collisions with pool toys and floats; and instruct your pool users to always “steer up”. When you begin your dive you must get ready to steer up. As you enter the water, your arms must be extended over your head, hands flat aiming up. Hold your head and arch your back.

INTENDED USE INSTRUCTIONS

“A pool is the safest place to swim and a diving board installed in compliance with manufacturers instructions and the 2003 ANSI/NSPI Standard for In-ground Residential Pools is the safest place to dive from. To ensure that you and your family and guests are able to safely enjoy your diving board for many years, it is critical that you follow the following instructions.”

DO

1. Know the shape and depth of the pool before you dive.
2. Make sure that all family members and guests are familiar with these instructions before they use your pool and diving board.
3. Make sure that the diving board has been installed in compliance with the Assembly and Installation Instructions and with the 2003 ANSI/NSPI Standard for In-ground Residential Pools. This includes the shape and depth of the pool as well as the height of the diving board.
4. Enter feet first the first time.
5. Plan your path to be sure you avoid any other swimmers, or objects in or under the water, such as floats, tires, toys etc.
6. Keep your head up, arms up and fully extended and **steer up** with your hands.
7. Practice carefully before you dive headfirst.
8. Become familiar with the diving board and its spring before diving headfirst
9. Dive straight ahead, not to the side of the board or pool.
10. Dive from the diving board only.
11. Make sure that children and non-swimmers are supervised at all times.
12. Always remember that when you dive you **must steer up**.
13. Inspect your diving board, base and stand on a regular basis (at least twice a year) and keep them in proper repair.
14. Contact your dealer, installer or Inter Fab (800-737-5386) with any questions or concerns about the safe use of your diving board.

DON'T

1. Don't drink and dive.
2. Don't install this or any diving board on an above ground pool or dive into an above ground pool from any surface.
3. Don't dive into a pool from anyplace not specifically designated for diving. Never dive into the shallow portion of any pool.
4. Don't dive across the width of the pool or to the sides of the pool.
5. Don't Run and dive.
6. Don't engage in horseplay in or around the diving board or pool.
7. Don't use your diving board as a trampoline.
8. Don't do a back dive. Backyard pools are not built for that type of activity.
9. Don't try fancy dives. Keep the dives simple.
10. Don't dive into or through objects or toys such as inner tubes.
11. Don't swim or dive alone.
12. Don't use a diving board or stand or base that is rusted or worn out or in poor repair.

THE T7 DIVING SYSTEM IS A JUMP BOARD

IMPORTANT NOTICES TO THE INSTALLER

The specifications found on page 5 of this manual represent the minimum water envelope required by Inter-Fab and by the ANSI/NSPI-5 2003 Standard for Residential Inground Swimming Pools. Each of these dimensions must be met or exceeded. Installation of a diving board of any type on a pool that does not meet or exceed each of the minimum specifications as provided on page 5, including but not limited to the slope requirement, is in direct violation of this manufacturer's instructions and the 2003 Standard, and can result in serious injury or death.

The installation of the T7 diving system is not complete until you, the installer have measured the pool to ensure it meets the Inter-fab residential inground minimum pool specifications and the ANSI/NSPI-5 2003 Standard for Residential Inground Swimming Pools

The installation of the T7 diving system is not complete until you the installer has delivered to your customer and reviewed with your customer the "Owners Manual" as well as the "Plan Your Dive Steer-Up" brochure.

The T7 diving system (diving board, springs, and base) is a complete system and must be installed as a complete system. It is strictly prohibited to install any T7 component on any other stand, spring, or base.

Inter-fab highly recommends that you, the installer, obtain and consult the ANSI/NSPI-5 2003 Standard for Residential Inground Swimming Pools before proceeding with the installation.

WARNING:

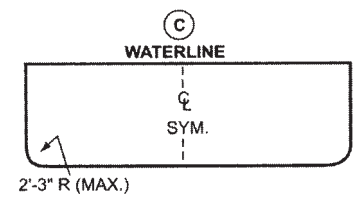
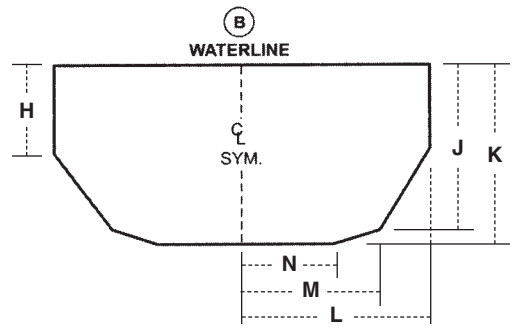
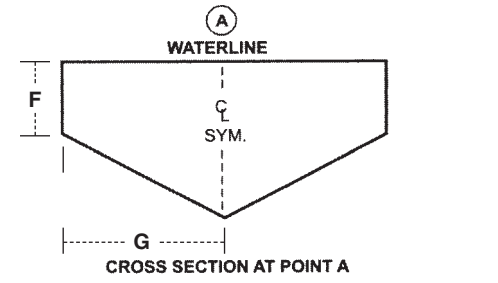
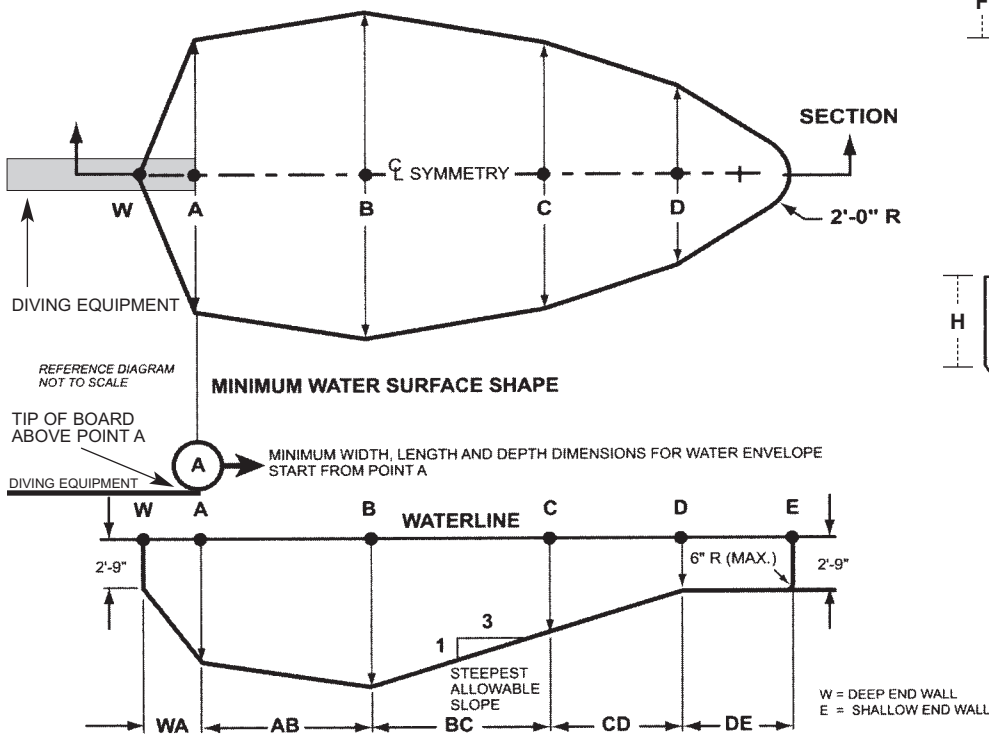
IF YOU ARE INSTALLING AN EDGEWATER UNIT WITH LED LIGHTING: Do not attach the color controller directly to 110V, the LED lighting is a low voltage system requiring a transformer (not included) to provide power to the color controller. Inter-Fab recommends the Intermatic PX100 transformer. If the Intermatic PX100 is not utilized the color controller Input Rating is: 12 VAC, 1.7 Amp 60/50HZ. *Exceeding the input rating will severely damage the color controller and void the warranty.*

THE T7 DIVING SYSTEM IS A JUMP BOARD.

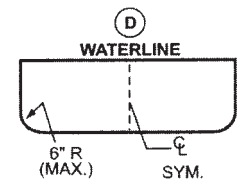
**ONLY ONE PERSON AT A TIME ON THE DIVING BOARD,
WITH A MAXIMUM WEIGHT LIMIT OF 300 LBS.**

MINIMUM DIVING WATER ENVELOPE:

NOTE: DRAWINGS ARE NOT TO SCALE.



CROSS SECTION AT POINT C



CROSS SECTION AT POINT D

NOTE: TABLE 1 AND TABLE 2 SHOWN ON THIS PAGE ARE APPLICABLE ONLY TO INTER-FAB'S COMPLETE T7™ DIVING SYSTEM.

TABLE 1 - MINIMUM WATER ENVELOPE (ANSI/NSPI-5 2003)

POOL TYPE	MINIMUM DEPTHS AT POINT				MINIMUM WIDTHS AT POINT				MINIMUM LENGTHS BETWEEN POINTS					
	A	B	C	D	A	B	C	D	WA+/-3"	AB	BC	CD*	DE	WE
0	DIVING EQUIPMENT PROHIBITED													
I	6'-0"	7'-6"	5'-0"	2'-9"	10'-0"	12'-0"	10'-0"	8'-0"	1'-6"	7'-0"	7'-6"	VARIABLES	6'-0"	28'-9"
II	6'-0"	7'-6"	5'-0"	2'-9"	12'-0"	15'-0"	12'-0"	8'-0"	1'-6"	7'-0"	7'-6"	VARIABLES	6'-0"	28'-9"
III	6'-10"	8'-0"	5'-0"	2'-9"	12'-0"	15'-0"	12'-0"	8'-0"	2'-0"	7'-6"	9'-0"	VARIABLES	6'-0"	31'-3"
IV	7'-8"	8'-6"	5'-0"	2'-9"	15'-0"	18'-0"	15'-0"	9'-0"	2'-6"	8'-0"	10'-6"	VARIABLES	6'-0"	33'-9"
V	8'-6"	9'-0"	5'-0"	2'-9"	15'-0"	18'-0"	15'-0"	9'-0"	3'-0"	9'-0"	12'-0"	VARIABLES	6'-0"	36'-9"

TABLE 2 - INTER-FAB RESIDENTIAL POOL MINIMUM SPECIFICATIONS

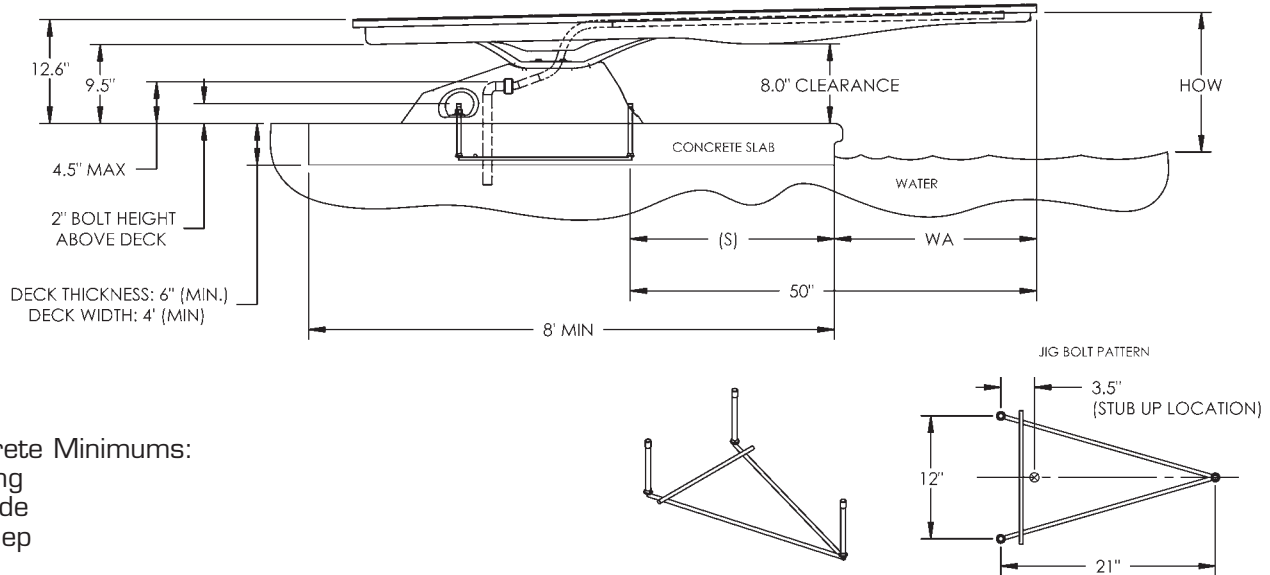
POOL TYPE	T7 DIVING SYSTEM	MAX. HEIGHT OVER WATER AT POINT A	CROSS SECTIONAL DIMENSIONS AT POINT A		CROSS SECTIONAL DIMENSIONS AT POINT B						MIN. HEAD ROOM ABOVE DIVING SURFACES
	DBL**		HOW**	F	G	H	J	K	L	M	
0	DIVING EQUIPMENT PROHIBITED										
I	7' T7 ONLY	20"	2'-9"	5'-0"	4'-0"	7'-2.5"	7'-6"	6'-0"	3'-9"	2'-1.5"	12'
II	7' T7 ONLY	20"	2'-9"	3'-10"	4'-2"	7'-2.5"	7'-6"	6'-8"	3'-9"	2'-1.5"	12'
III	7' T7 ONLY	26"	2'-9"	4'-4.75"	4'-4.5"	7'-5.5"	8'-0"	6'-7"	3'-11.5"	1'-7.5"	13'
IV	7' T7 ONLY	30"	2'-9"	5'-10.5"	3'-10"	7'-8"	8'-6"	8'-3"	5'-7"	2'-7"	13'
V	7' T7 ONLY	40"	2'-9"	6'-2"	3'-11.5"	7'-9.5"	9'-0"	8'-2.5"	5'-9"	2'-7"	14'

*Min. length between points CD may vary based upon water depth at point D and the slope between points C & D
 ABBREVIATIONS: **DBL=Diving Board Length; DB=Diving Board; JB=Jump Board; **HOW=Height Over Water

NOTES:

NOTE: READ THESE INSTRUCTIONS IN THEIR ENTIRETY BEFORE ATTEMPTING T7 INSTALLATION.

FIG. A – T7 PLACEMENT SPECIFICATIONS:



Concrete Minimums:
 8' Long
 4' Wide
 6" Deep

INTER-FAB CANNOT GUARANTEE CUSTOMER'S CONCRETE OR THICKNESS

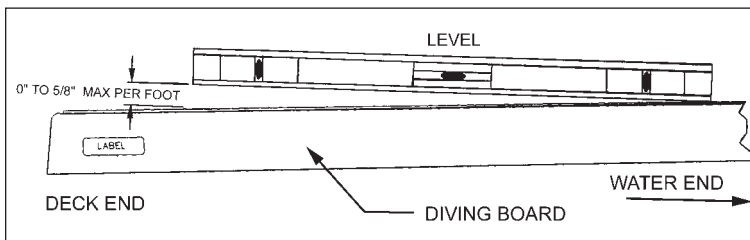
TABLE 3 – PLACEMENT CHART

REFER TO: ANSI/NSPI-5 2003 American National Standard for Residential Inground Swimming Pools and to page 5 for Inter-Fab Residential Inground Pool Minimum Specifications.

T7 DIVE STAND	NOMINAL BOARD LENGTH	ANSI/NSPI-5 POOL TYPE	DISTANCE FROM WATER'S EDGE TO FORWARD JIG BOLT (S) *	DISTANCE FROM WATER END OF BOARD TO FORWARD JIG BOLT	MIN. OVERHANG POINT A TO POINT W +/- 3" **	MAX HEIGHT OF BOARD OVER WATER (HOW)
ONLY T7 DIVING BOARD CAN BE UTILIZED ON T7 DIVE STAND	7' T7 ONLY	I	31"	50"	18"	20"
	7' T7 ONLY	II	31"	50"	18"	20"
	7' T7 ONLY	III	25"	50"	24"	26"
	7' T7 ONLY	IV	19"	50"	30"	30"
	7' T7 ONLY	V	13"	50"	36"	40"

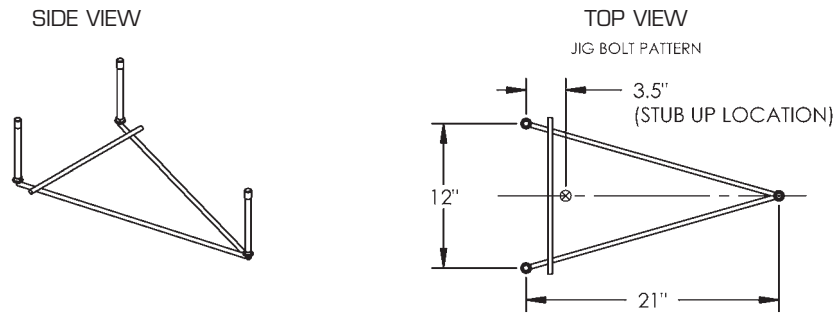
MUST BE INSTALLED ON TYPE I POOL OR GREATER

IMPORTANT: THESE DIMENSIONS ARE ACCURATE ONLY FOR VERTICAL POOL WALLS, **TYPICALLY GUNITE CONSTRUCTION**, WITH LESS THAN A 3' RADIUS TO THE POOL FLOOR. DUE TO THE VARYING SIZES OF OTHER POOLS, **TYPICALLY VINYL LINER CONSTRUCTION**, PLEASE CONTACT CUSTOMER SERVICE FOR PROPER JIG PLACEMENT. **1.800.737.5386**

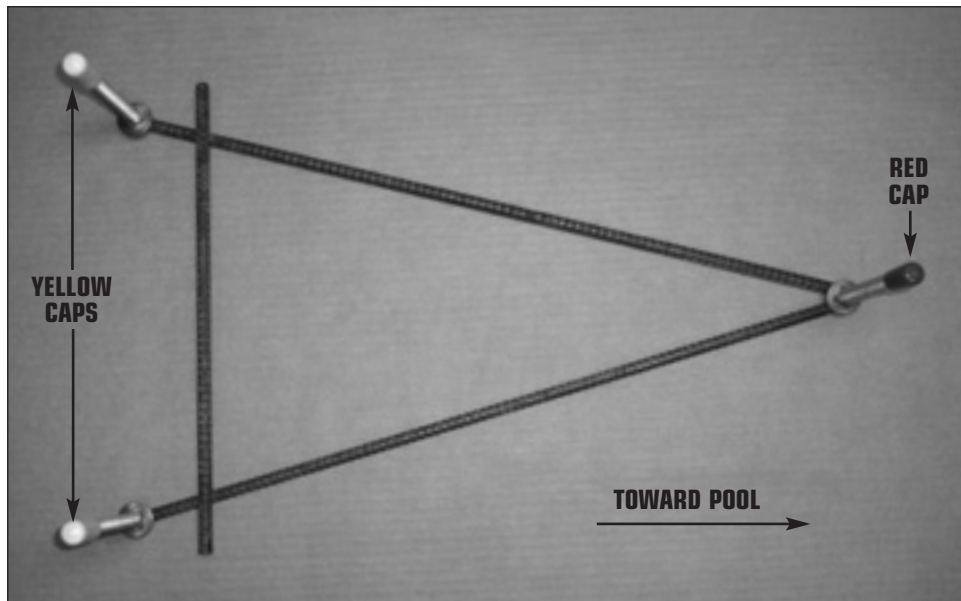


The top surface of the diving board from the deck end to the tip end shall be level or have an upward slope of 5/8" per foot maximum. Elevation difference shall not exceed 4-3/8" from the deck end to the tip of the board. There shall be no downward slope towards the water. The slope shall be measured using a level as shown in the graphic to the left.

MOUNTING JIG:



T7™ JIG INFO:



JIG PLACEMENT TIPS:

- T7 Installation limited to Residential Inground Swimming Pools conforming to a Type I or greater dimension in accordance with the ANSI/NSPI -5 2003 Standard and Inter-Fab's Residential Inground Swimming Pool Minimum Specifications.
- Install jig on the deep end of the pool on centerline.
- Before installing the T7 jig ensure the concrete deck surrounding the jig meets the minimum 8' long x 4' wide x 6" deep minimum.
- Jig should be grounded. Comply with all local electrical codes for grounding.
- Be careful to ensure that the red capped bolt is toward the pool and set back from the water's edge at the correct distance based on the table on page 6.
- The 3 jig bolts must extend 2" above the final deck surface.
- Ensure the deck surrounding the jig and base/step is flat and level so the base/step makes uniform contact with the deck surface.
- Leave the protective caps on the bolts until the concrete has cured and base/stand is ready to be installed.
- If installing a waterfall or lighted waterfall feature with the T7 ensure that a 1/2" water stub-up and electrical conduit are located per the diagram on page 6 and as shown in the above illustration. Provide a minimum of 10 gallons per minute to the end of the T7 diving board. Ensure electrical conduit, wiring and transformer installations comply with local or national electrical building codes, whichever is greater.

T7 Diving System INSTALLATION INSTRUCTIONS

IMPORTANT: The gel coat surface of the T7 Diving System is similar to a high quality automotive finish; it is long lasting, strong and beautiful but will scratch if mishandled.

Do not place unprotected parts on the ground. Do not slide or pull unprotected parts along any surface. Be careful unpacking parts and with tools during assembly.

T7™ EDGEWATER CONFIGURATIONS: *(OPTIONAL EQUIPMENT)*

1. **T7 EDGE-GR:** kit consists of Edgewater, Mounting Hardware (4 screws), 8' & 4" of 1/2" Flex PVC Pipe, 1-Union
2. **T7 EDGE-L-GR:** kit includes Edgewater parts *PLUS* LED Lights Assembled (RGB), Color Controller, 35' of Wire (10' on unit – 25' on controller), Coupler. *NOTE: No transformer is provided.**
3. **T7 EDGE-F-GR:** kit includes Edgewater parts *PLUS* 55' of 25 Strand Fiber Optic Cable Assembled. *NOTE: No light source is provided.*

STEP 1: INSTALL WATER FEATURE: *(OPTIONAL EQUIPMENT)*

If purchased, attach the optional waterfall assembly to the underside of the diving board as follows:

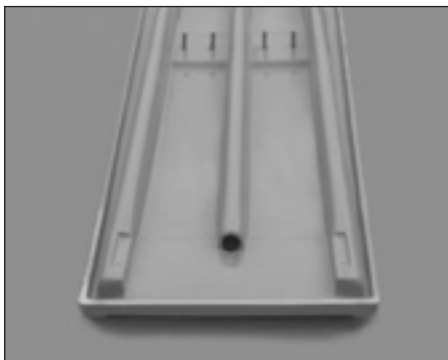
IMPORTANT: To keep the T7 water feature from clogging, ensure water is from a filtered return line from the pool.

- A)** The center (central) rib on the underside of the diving board is hollow and is capped at the factory. Remove the cap from front of the center rib exposing the hollow channel.
- B)** The Edgewater comes from the factory with an 8' length of 1/2" flex PVC pipe attached. The 8' length goes thru the board and attaches with PVC glue to one side of the 1/2" union. The 4" length of flex PVC pipe attaches with PVC glue to the stub-up and then to the other side of the 1/2" union.
- C)** (If Purchased) your waterfall comes with an optional pre-wired, factory installed LED or Fiber Optic lighting system. Simply thread the wiring attached to your waterfall lighting system down the conduit in the central rib on the board along side the 1/2" PVC tubing.

TIP: You may find it simpler to put end of wire into end of hose or tape the wiring to the end of the 1/2" flex PVC and thread them thru the conduit at one time.

The LED lighting system comes with 10' of wire attached to the LED which goes through the board and attaches to the coupler, the additional 25' of wiring attaches to the coupler and then passes through the customer installed conduit to the color controller.

The fiber optic lighting comes with 55' of continuous cable which is passed through the board, then through the customer installed electrical conduit to the customer provided color light source.



A



B



C

INSTALL WATER FEATURE: (OPTIONAL EQUIPMENT) – CONT.

- D)** Once the water tubing and wiring are threaded all the way thru the diving board, from the base side, gently pull the end of the tubing until the waterfall assembly is pulled gently but snugly against the end of the center rib.
- E)** Attach the waterfall unit to the Diving Board by inserting the 4 provided screws thru the *pre-drilled* holes in the waterfall assembly; hand tighten only (DO NOT USE SCREW GUN), over tightening the screws will cause them to strip inside the board or break the waterfall housing, and voids the warranty.

***WARNING:** Do not attach the color controller directly to 110V, the LED lighting is a low voltage system requiring a transformer (not included) to provide power to the color controller. Inter-Fab recommends the Intermatic PX100 transformer. If the Intermatic PX100 is not utilized the color controller Input Rating is: 12 VAC, 1.7 Amp 60/50HZ. *Exceeding the input rating will severely damage the color controller and void the warranty.*

STEP 2: T7 ASSEMBLY:

TIP: Make sure to use the anti-seizing compound on all the bolts or the nuts will seize

1. Lay board upside down on packaging being careful not to damage the gel coat surface.
2. Place T7-NSPRING over the 8 bolts on the board as shown in photo below. The single center drill hole in the spring center faces toward the pool. Use hardware kit T7-102-SS and attach the springs to board as shown in exploded view in page 11. Hand tighten only at this time.

TIP: The springs are directional. The longer end of the spring goes toward the pool. NOTE: The springs have a sticker with an arrow that states “this end toward pool”.



3. Edgewater Waterfall **(optional)** Board

If installing and Edgewater waterfall, run the hose and LED or Fiber optic (if supplied) through the board as shown in photo. Use the 4 screws provided with the Edgewater unit to attach to bottom of board.

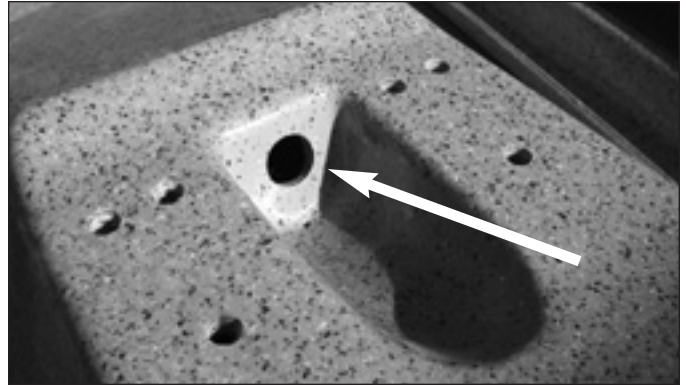


STEP 2: T7 ASSEMBLY - CONT.

4. Edgewater Waterfall *(optional)* Base

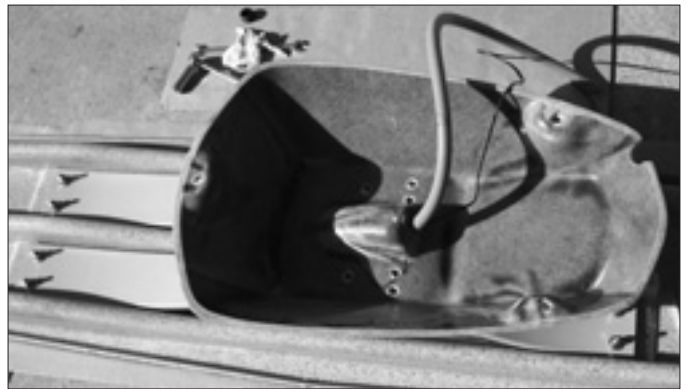
If installing the Edgewater waterfall, remove the hole black cap on the base by pushing it out from the underside. Do not try to remove from the top as damage to the gel coat surface can occur.

See arrow reference in photo shown.



5. Feed the hose and LED or Fiber optic *(if supplied*)* through the base and sit the base on the springs as shown in photo.

** Please note that the Edgewater waterfall can be ordered in 3 different configurations. See page 8 for more information.*



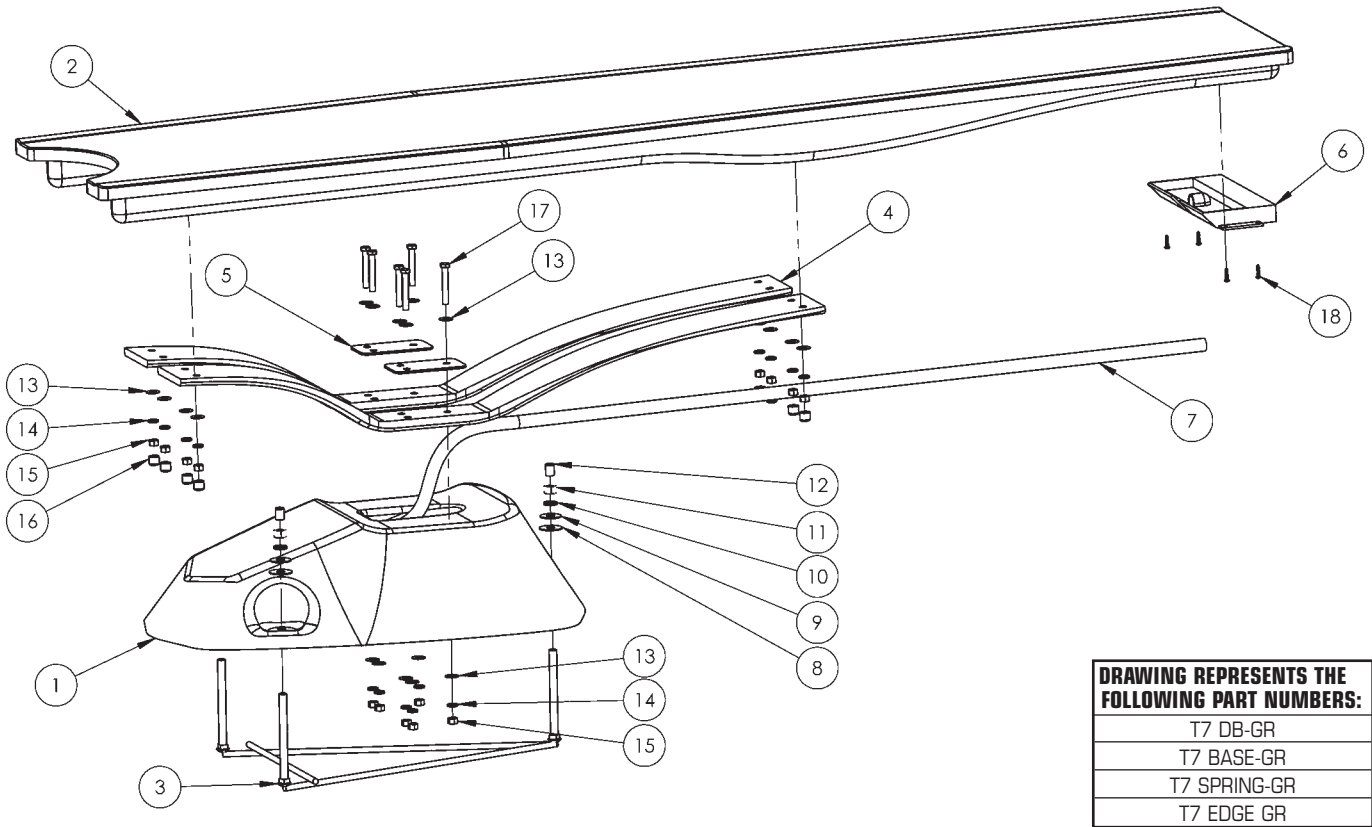
Use hardware kit EDGE-SP and attach the base to the springs as shown in exploded view on page 11.

Use a dab of anti-seize provided and tighten these now to 25-30 ft lbs torque.



- 6. Tighten the 8 nuts that hold the board to the springs at this time. Torque to 20-25 ft lbs. (Note: all hardware should be tight at this point of installation)
- 7. With the assembly upside down and on protective cardboard move as close as possible to mounting jig. Attach Edgewater waterfall plumbing and LED or Fiber optics as described in installation manual "Install Water Feature" on pages 8 and 9.
- 8. The assembly is now ready to set on the jig bolts. With 2 persons carefully set the assembly upright and onto the jig. If installing an Edgewater waterfall, tuck the excess hose underneath the base as it is set on the jig bolts. Using hardware kit T7-NBK attach the base to jig as shown in exploded view on page 11. Tighten these nuts to 40-50 ft lbs torque.

T7 DIVING SYSTEM (T7 DB-GR, T7 BASE-GR, T7 SPRING-GR):



DRAWING REPRESENTS THE FOLLOWING PART NUMBERS:

T7 DB-GR
T7 BASE-GR
T7 SPRING-GR
T7 EDGE GR

TABLE 4 - PARTS LIST

ITEM #	COMPONENT	DESCRIPTION	KITS - QTY. COUNTS			
			T7-NBK	T7-102-SS	EDGE-SP	M/A
1	T7-NBASE-(color code)	NO STEP T7 BASE				1
2	T7-DB-(color code)	7' T7 DIVING BOARD				1
3	T7-NJIG	3 BOLT T7 NO STEP BASE JIG				1
4	T7-NSPRING-(color)	T7 NBASE SPRINGS (pair)				1
5	SPRING PAD (factory installed)	T7 NSPRING PAD				2
6	T7-EDGE-GR (F-GR) / (L-GR)	OPTIONAL EDGEWATER ASSEMBLY				1
7	H-1/2 SPA HOSE	1/2" PVC FLEX SPA HOSE GRAY				1
8	H-1/2 NYLON WAS	1/2" FLAT NYLON WASHER	3			
9	H-SS 1/2 F WAS	1/2" SS FLAT WASHER	3			
10	H-SS 1/2 LOC WA	1/2" SS LOCK WASHER	3			
11	H-SS 1/2 H NUT	1/2" SS HEX NUT	3			
12	H-1-1/2 WHT CAP	.750 X 1-1/2 WHITE UV NUT CAP	3			
13	H-SS 3/8 FLT WA	3/8" SS FLAT WASHER		8	12	
14	H-SS 3/8 LOC WA	3/8" SS LOCK WASHER		8	6	
15	H-SS 3/8 F NUT	3/8" SS FINISH HEX NUT		8	6	
16	H-.562 X .390 CAP	.553 X 1/2" GRAY PROTECTIVE CAP		8		
17	H-SS 3/8 X 2-1/2	3/8" X 2-1/2" HEX HEAD BOLT SS			6	
18	H-SS #8 X 3/4	SS 8 X 3/4" PAN HEAD PHILLIPS SCREW				4

RECOMMENDED TORQUE SCHEDULE FOR ASSEMBLY:

1/2" SS Hardware (T7-NBK Kit)
----> 40-50 FT-LBS

3/8" SS Hardware (T7-102-SS Kit)
----> 20-25 FT-LBS

3/8" SS Hardware (EDGE-SP Kit)
----> 25-30 FT-LBS

HARDWARE NOTE:
Use a small dab of anti seize lubricant (included) on all bolt threads.

NOTES:

* Part #T7 BASE-GR comes WITH jig.

The T7 diving board, base, and springs must be used together and cannot be used separately in any other configuration.

T7™ CARE & MAINTENANCE:

Your T7 diving system requires periodic maintenance to keep it looking like new.*

- Wash Monthly or more frequently, if needed. Be careful to keep cleaning material from entering the pool.
- Wash with a mild soap such as hand dishwashing soap, avoid using strong cleaners or abrasives. Avoid strong alkaline (such as tri-sodium phosphate) or highly acidic cleaners. Avoid bleach and ammonia.
- With the **exception** of the slip resistant surface on the top of the diving board and step, wax the diving system once or twice a year with a good grade paste wax formulated for gel coat surfaces. CAUTION: be careful when applying wax. Waxing the slip resistant surfaces may cause them to become slippery resulting in possible serious injury.

* **These suggestions and data based on information believed to be reliable, from our raw materials manufacturers. They are offered in good faith, but without guarantee, as conditions and methods of use and procedures are beyond our control.**

SUPPORT INFORMATION: ARTICLE 5 – POOL DIMENSIONS AND TOLERANCES

Extracted from ANSI/NSPI- 2003, American National Standard for Residential Inground Swimming Pools

5 Pool dimensions and tolerances

5.1 General requirements. Design dimensions shall comply with specifications in this standard. The pool shall be constructed to these design dimensions within the tolerances listed in 5.1.1.

5.1.1 Construction tolerances. There shall be construction tolerances allowed on dimensional designs. The overall length, width and depth shall be limited to a tolerance of plus or minus 3 inches (± 7.6 cm). All other dimensions shall be limited to a tolerance of plus or minus 2 inches (± 5.1 cm), unless otherwise specified.

5.2 Perimeter shape. No limits are specified for shape of pools except that consideration shall be given to shape from the standpoint of circulation of the swimming pool water and safety to the user.

5.3 Walls - requirements

5.3.1 Walls in the shallow area and deep area of the pool shall not slope greater than 11° (1:5 slope

ratio) to a transition point. The transition point shall not be less than 2 feet and 9 inches (83.8 cm) below the waterline. See figure 1.

5.3.2 As shown in figure 2, at the depths of (a) and (b), the walls are permitted to join the floor.

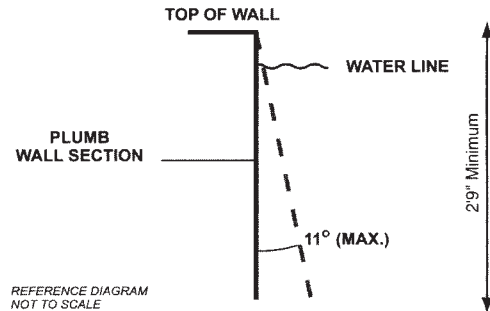


Figure 1 – Maximum allowable wall slope

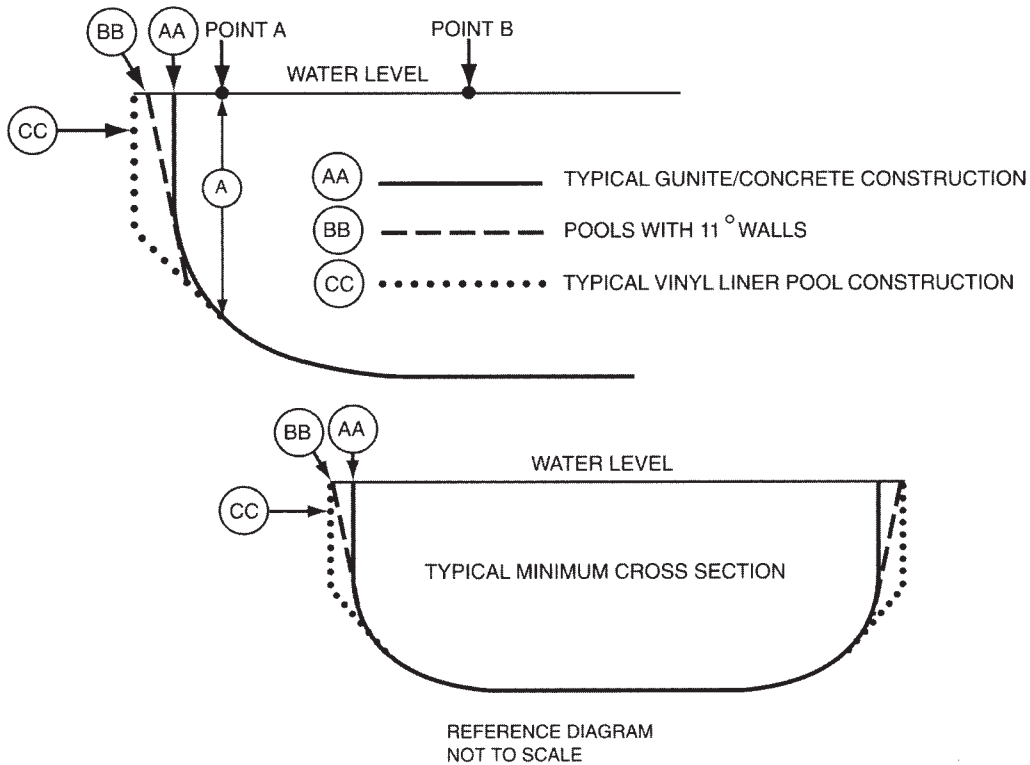


Figure 2 – Typical pool design configurations

SUPPORT INFORMATION: ARTICLE 5 – POOL DIMENSIONS AND TOLERANCES

Extracted from ANSI/NSPI- 2003, American National Standard for Residential Inground Swimming Pools

5.3.3 The walls of Type I pool, when defining the minimum diving water envelope, shall be plumb or outside of Type 1 water geometry. (See figure 3, table 1.)

5.4 Maximum allowable wall slope

5.4.1 Maximum allowable wall slope shall not slope greater than 11° from plumb.

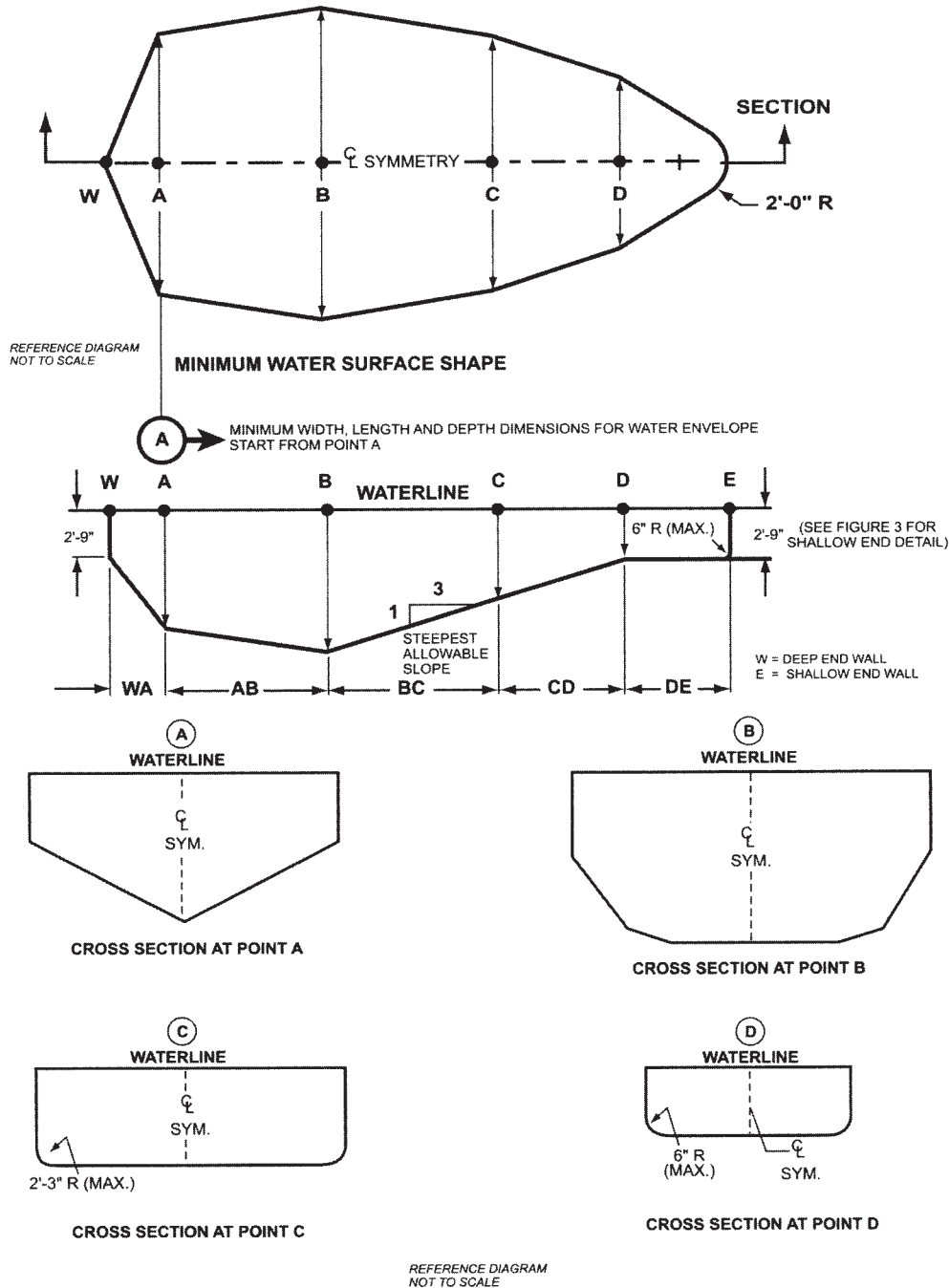


Figure 3 – Minimum water envelope

SUPPORT INFORMATION: ARTICLE 5 – POOL DIMENSIONS AND TOLERANCES

Extracted from ANSI/NSPI- 2003, American National Standard for Residential Inground Swimming Pools

Table 1 – Minimum water envelope

Pool type	Minimum depths at point				Minimum widths at point				Minimum lengths between points					
	A	B	C	D	A	B	C	D	WA	AB	BC	CD*	DE	WE
O	Manufactured diving equipment is prohibited													
I	6'-0"	7'-6"	5'-0"	2'-9"	10'-0"	12'-0"	10'-0"	8'-0"	1'-6"	7'-0"	7'-6"	Varies	6'-0"	28'-9"
II	6'-0"	7'-6"	5'-0"	2'-9"	12'-0"	15'-0"	12'-0"	8'-0"	1'-6"	7'-0"	7'-6"	Varies	6'-0"	28'-9"
III	6'-10"	8'-0"	5'-0"	2'-9"	12'-0"	15'-0"	12'-0"	8'-0"	2'-0"	7'-6"	9'-0"	Varies	6'-0"	31'-3"
IV	7'-8"	8'-6"	5'-0"	2'-9"	15'-0"	18'-0"	15'-0"	9'-0"	2'-6"	8'-0"	10'-6"	Varies	6'-0"	33'-9"
V	8'-6"	9'-0"	5'-0"	2'-9"	15'-0"	18'-0"	15'-0"	9'-0"	3'-0"	9'-0"	12'-0"	Varies	6'-0"	36'-9"

NOTE:

- *Minimum length between points CD may vary based upon water depth at point D and the slope between points C & D.
- Figure 3 drawings are not to scale. (For pool types, see Glossary.)

5.5 Offset ledges

5.5.1 Offset ledges shall be a maximum of 8 inches (20.3 cm) wide.

5.5.1.1 Offset ledges, located less than 42 inches (1067 mm) below waterline shall be proportionately less than 8 inches (20.3 cm) wide and fall within 11° from plumb, measured from the top of the waterline. See figure 4.

5.6 Floor slopes. Floor slopes shall be reasonably uniform and comply with 5.6.1 through 5.6.3.

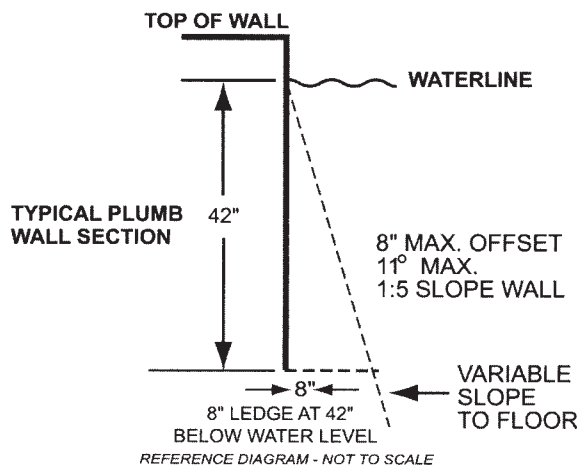


Figure 4 – Offset ledges

5.6.1 The slope of the floor from the shallow end wall towards the deep area shall not exceed 1 foot in 7 feet (30 cm: 213 cm) to the point of the first slope change as shown in figure 5.

5.6.2 Changes in slope between shallow and deep areas shall be at a minimum water depth of 2 feet 9 inches (83.8 cm) and be at least six feet (182.9 cm) from the shallow end, except as specified in 6.3.

5.6.3 The slope of the floor from the point of the first slope change toward the deep end shall not exceed 1 foot in 3 feet (30 cm; 91 cm).

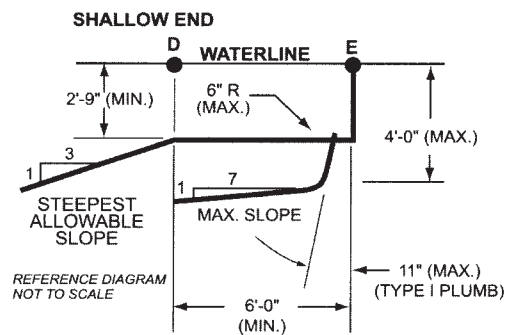


Figure 5 – Shallow end depths

SUPPORT INFORMATION: ARTICLE 5 – POOL DIMENSIONS AND TOLERANCES

Extracted from ANSI/NSPI- 2003, American National Standard for Residential Inground Swimming Pools

5.7 Shallow end water depths. Water depth in the shallow area shall be a minimum of 2 feet 9 inches (83.8 cm) except for those locations specified in 6.3 "Shallow End Detail for Beach and Sloping Entries." The water depth at the shallowest point shall not exceed four feet (121.9 cm) as shown in figure 5.

5.8 Manufactured diving equipment for in-ground swimming pools (diving board/stand combination or manufactured platform)

NOTE – For consumer safety information, warnings and education programs, See appendices D, E, and F.

5.8.1 When manufactured diving equipment is installed, it shall conform to the specifications set forth in 5.8 through 5.9 and shall be located in the deep area of the pool so as to provide the minimum dimensions as shown in 5.9.

5.8.1.1 Manufactured diving equipment shall not be installed on Type 0 pools.

5.8.2 Diving equipment. Diving equipment shall be designed for swimming pool use and shall be installed in accordance with the manufacturer's specifications.

5.8.2.1 Diving equipment installation and use instructions shall be provided by the diving equipment manufacturer and shall specify the minimum water dimensions required for each diving board and diving stand combination. They may refer to the water envelopes type of their choice by dimensionally relating their products to Point A on the water envelopes as shown in figure 3 and table 1, 5.9.1 through 5.9.3.

5.8.2.2 Diving equipment shall be permanently labeled and affixed to the diving equipment or jump boards and shall include but not be limited to:

- manufacturer's name and address;
- date of manufacture;
- minimum water envelope required for each diving board and diving stand combination; and
- maximum weight limitations of the user as specified by the board manufacturer.

5.8.2.3 Diving equipment shall have slip-resisting tread surfaces.

5.9 Figure 3 contains suggested drawings and diagrams for minimum water envelope for swimming pools designated type I - V. Individual pool types are shown in figure 3 and table 1.

5.9.1 Location of point A. Point A shall be defined as a point located on the minimum water envelopes.

5.9.1.1 Point A. Point A is a construction location nearest the deep end wall where the minimum water depth is satisfied.

5.9.1.2 Point A as shown in figure 3 and table 1 shall be the reference point of origin for all dimensions defining the minimum water envelope.

5.9.2 Type 0 pool (where diving is prohibited) shall not be limited in width, length, or water depth except as specifically provided for in this standard.

5.9.3 Location of equipment and pool features in the minimum water envelope. If the pool is designed for use with diving equipment, steps, pool stairs, ladders, underwater benches, special features and other accessory items shall be located outside the minimum water envelope. (See figure 6)

5.9.4 Typical pool design configurations. Vinyl liner, shotcrete, fiberglass and concrete constructions shall conform to, but are not limited to, the typical pool configurations shown in figure 2.

5.10 Stationary diving platform(s) and diving rock(s). Stationary diving platform(s) and diving rock(s) built on site shall be allowed to be flush with the wall and located in the diving area of the pool. Point A shall be in front of the wall at the platform or diving rock centerline.

NOTE – For consumer safety information, warning, and education programs, See appendices D, E, and F.

SUPPORT INFORMATION: ARTICLE 5 - POOL DIMENSIONS AND TOLERANCES

Extracted from ANSI/NSPI- 2003, American National Standard for Residential Inground Swimming Pools

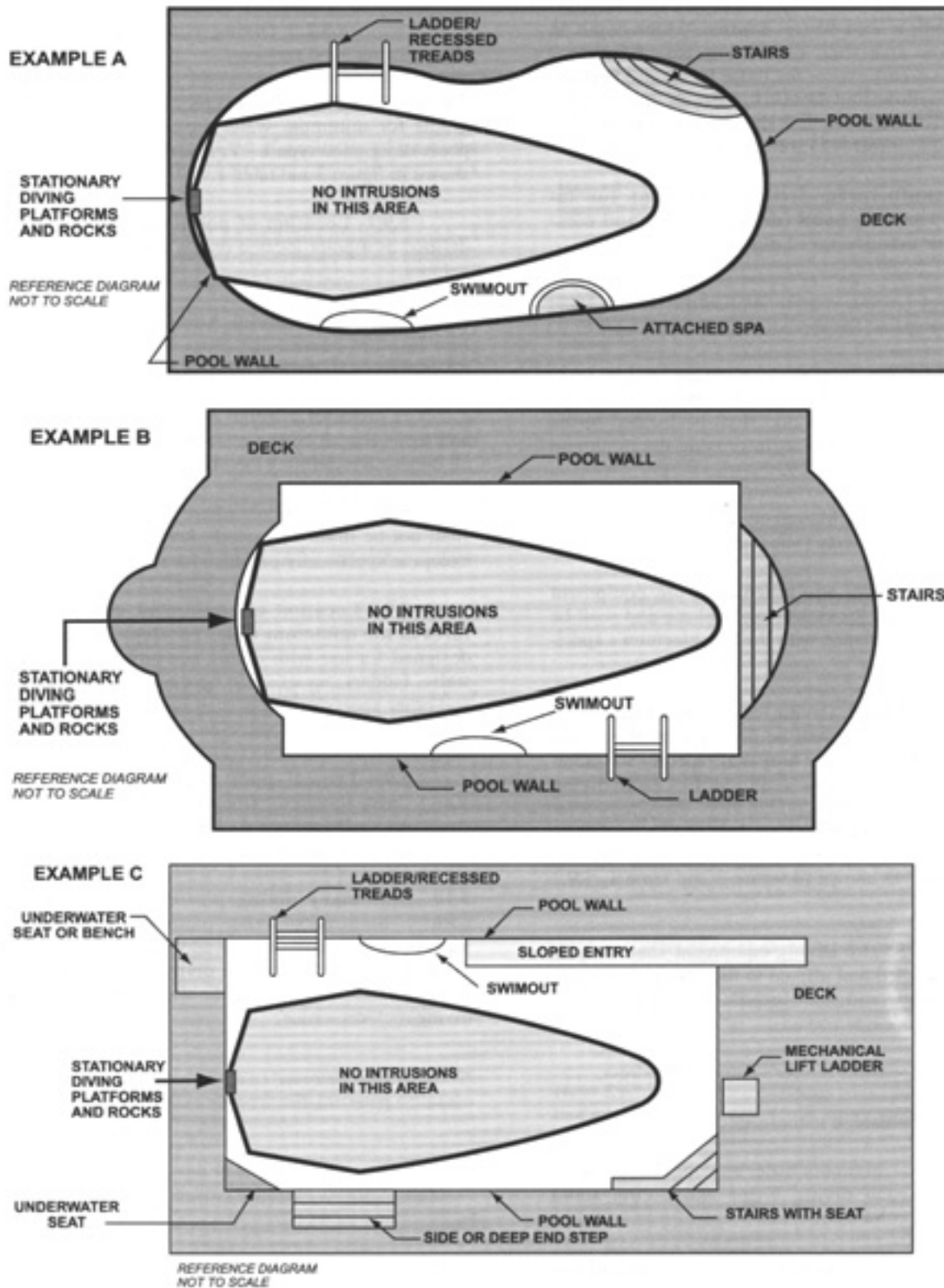


Figure 6 – Top view examples of accessory equipment and pool features prohibited in the water envelope

SUPPORT INFORMATION: ARTICLE 5 – POOL DIMENSIONS AND TOLERANCES

Extracted from ANSI/NSPI- 2003, American National Standard for Residential Inground Swimming Pools

5.10.1 The maximum height of the stationary diving platform or diving rock above the waterline shall be as follows:

- Pool Type I 42 inches (106.7 cm);
- Pool Type II 42 inches (106.7 cm);
- Pool Type III 50 inches (127.0 cm);
- Pool Type IV 60 inches (152.4 cm); or
- Pool Type V 69 inches (175.3 cm)

5.10.2 Stationary diving platform(s) and diving rock(s) shall not be permitted on Pool Type 0.

5.10.3 The diving equipment manufacturer shall specify minimum headroom above water.

5.11 Swimming pool slides

5.11.1 Slides, where installed, shall be installed in accordance with manufacturer’s specifications.

NOTE – For consumer safety information, warnings, and education programs, see appendices D, E, and F.

To obtain complete copies of the ANSI/NSPI-5 2003 Standard for Residential Inground Pools contact:

**The Association of Pool & Spa Professionals (APSP)
 2111 Eisenhower Ave.
 Alexandria, VA 22314
 (703) 838-0083**

or visit: www.theapsp.org

LIMITED WARRANTY

Inter-Fab, Inc. will repair or replace, at its option, any product manufactured by Inter-Fab, Inc. that fails during the applicable warranty period because of a manufacturing or material defect; provided that the defect is not the result of improper installation, improper use or care, negligence, alterations or modifications to the product, or natural accidents (acts of God). The applicable warranty period for products manufactured by Inter-Fab, Inc. is three (3) years from the date of retail purchase, except as specified below:

Echoes of Nature™ products are individually handcrafted and painted by skilled artisans and as a result, dimensional differences and color variations are normal and are not a basis for warranty coverage. The warranty period for pumps sold with the Echoes of Nature™ products is three (3) years from the date of retail purchase.

Water Sports™ sports equipment warranty periods are as follows: Volleyball Poles, Basketball Poles, Basketball Rim, and Basketball Backboard are one (1) year from date of retail purchase. Volleyball, Volleyball Net, Basketball, Basketball Net, and pumps are warranted for ninety (90) days from date of retail purchase.

Splash Rock™ Edgewater, **T7™** Edgewater™ and Lighted Edgewater™ features warranty period is one (1) year from date of retail purchase.

Zoomerang™ slide products warranty period is one (1) year from the date of retail purchase.

Build Your Own Slide™ (BYOS™) warranty period is one (1) year from the date of retail purchase.

City 2™ Slide and **City Base™** products warranty period are one (1) year from the date of retail purchase.

Unless expressly stated otherwise all products manufactured by Inter-Fab are for **residential installation (single family residence)** inground pool use only. Inter-Fab, Inc. expressly disclaims any and all warranties and liability arising from the installation or use of its residential products for any non-residential use such as semi-public, public, or commercial applications. Products expressly manufactured for commercial installation and use will be subject to this limited warranty.

This limited warranty is in lieu of all other warranties, whether express or implied. Inter-Fab, Inc. disclaims any warranty of merchantability or fitness for a particular use, and noninfringement in relation to any of its products and Inter-Fab, Inc. is not liable for consequential, incidental or specific damages. This warranty is limited to the repair or replacement of the manufacturing or material defect, or refund of the original purchase price, whichever is less, at the sole option of Inter-Fab, Inc., and expressly does not cover any labor or reinstallation expenses related to the replacement of any and all Inter-Fab products. This limited warranty shall be the sole and exclusive remedy of irrespective of whether the claims are made in contract, tort, warranty, law, equity or by statute.

This warranty is to the original purchaser of the product only. Inter-Fab's limited warranty is neither transferable nor portable from consumer to consumer. The effective coverage date begins at the date of retail purchase. Product owner or representative must notify Inter-Fab, Inc. (or its wholesale agent) in writing, giving a full description of the nature of the product defect or failure along with proof of purchase, serial number(s) of the product and photos within thirty (30) days of the expiration of the applicable warranty period. Inter-Fab, Inc. reserves the right to physically inspect damaged or defective products or components to determine the cause of the damage or defect, prior to authorizing repair or replacement of its products.



3050 S. Alvernon Way • Tucson, AZ 85713

520.790.7040 • 800.737.5386 • Fax 520.790.7127 • inter-fab.com