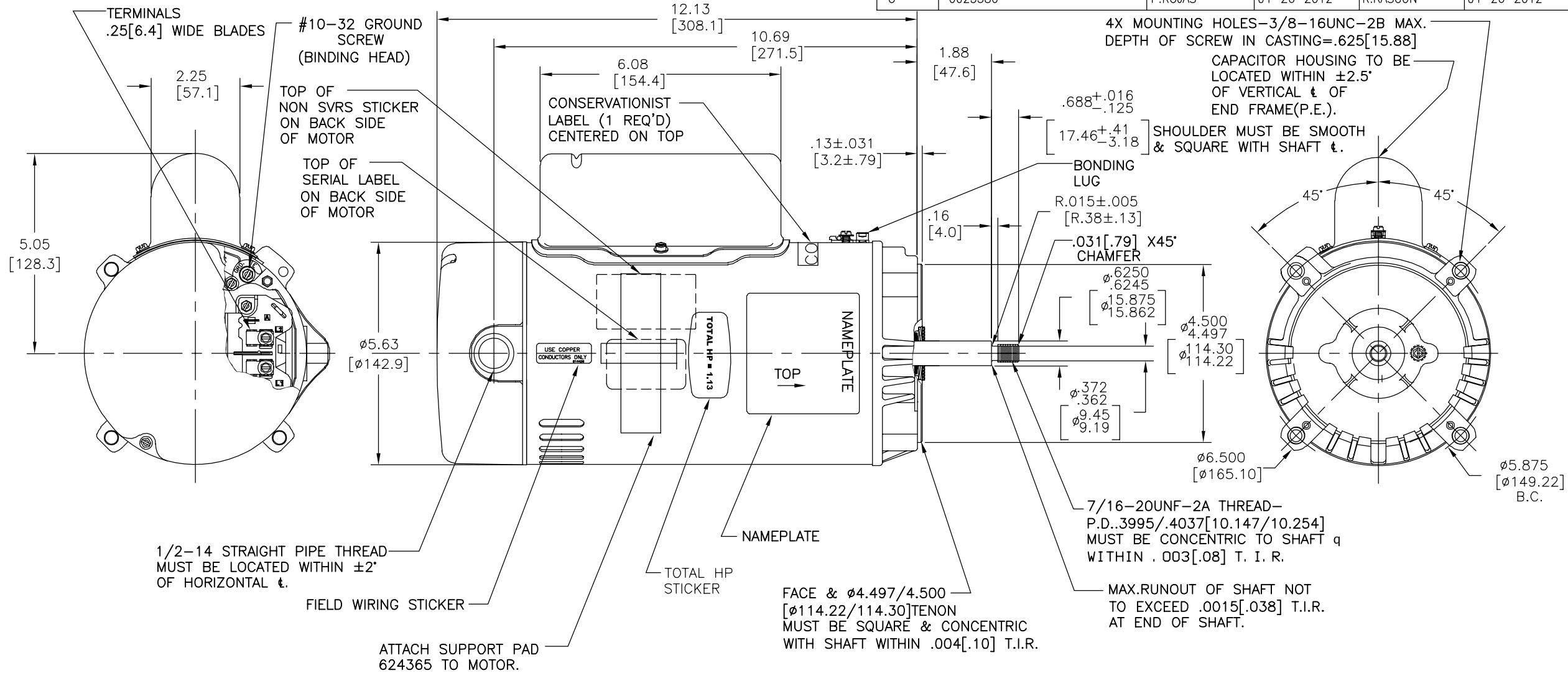


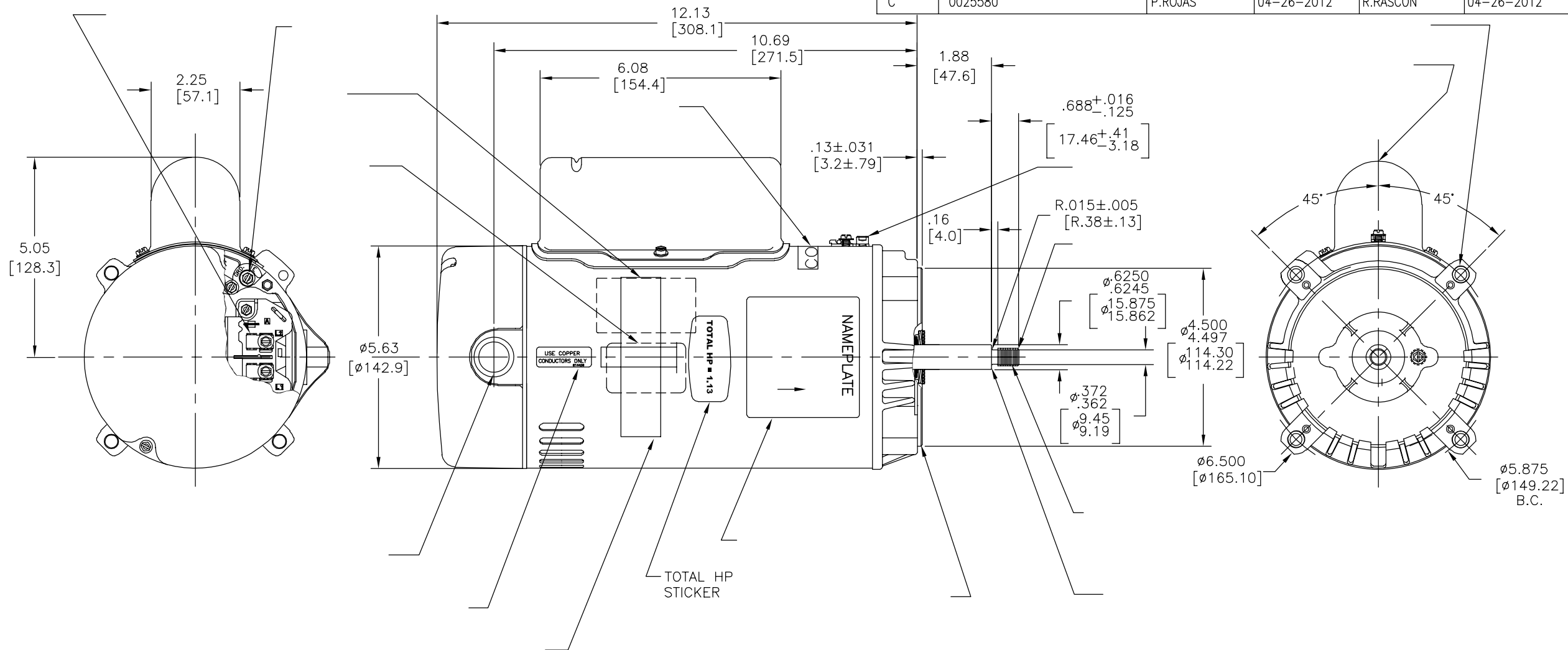
REV	ECO	REV BY	DATE	APPD	DATE
C	0025580	P.ROJAS	04-26-2012	R.RASCON	04-26-2012



NAMEPLATE DATA	EXTERNAL CONNECTION DIAGRAM	NOTES
MODEL: K48A73A01 CUST PN: STS1072RV1 HP: 0.75/0.10 SF: 1.5 ROT: CCWPE RPM: 3450/1725 TYPE: F/C CODE: K FORM: FRAME: 56J VOLTS: 230 AMPS: MAX AMPS: 5.4/2.2 SF AMPS: - PH: 1 HZ: 60 INS: B AMB: 50°C DUTY: CONT ENCLOSURE: ODP THERMALLY PROTECTED	<p>GRD GREEN (GROUND)</p> <p>L2 = COM L1 = HI SPEED A = LO SPEED</p> <p>USE COPPER CONDUCTORS ONLY. INSTALL MOTOR WITH VENTS DOWN. ACCEPTABLE FOR FIELD WIRING</p>	<ol style="list-style-type: none"> FINISH PAINT TO BE PRIME COAT. .44[11.2] WRENCH FLATS ON SHAFT -FOR ACCESS TO THIS WRENCH FLAT REMOVE END COVER. STAINLESS STEEL SHAFT EXT. LIMITS ON AMPLITUDE OF VIBRATION MEASURED AT BEARING HOUSING = .001. 1.13 SF HP

PERFORMANCE CURVE	APPROVED SAMPLE	GEOMETRIC CHARACTERISTICS & SYMBOLS ▽ FLATNESS - STRAIGHTNESS ∟ ANGULARITY ⊥ PERPENDICULARITY (SQUARENESS) // PARALLELISM ○ ROUNDNESS (CIRCULARITY) ∅ CYLINDRICITY △ PROFILE OF ANY SURFACE ∇ PROFILE OF ANY LINE ↑ RUNOUT ⊕ TRUE POSITION ⊙ CONCENTRICITY = SYMMETRY	UNLESS OTHERWISE SPECIFIED DIM. TOLERANCES ARE AS FOLLOWS: INCH X XX XXX XXXX mm ±0.5 ±0.13 ±0.013 ANG. ±50 DEG REMOVE BURRS & BREAK SHARP EDGES: INCH .003-.015 mm 0.1-0.4 CORNER FILLETS TO: INCH .020 mm 0.5 MACHINE SURFACES: INCH 125 mm 3.2	DR BY: Keyun.gong	09-25-2008	REGAL-BELOIT CORPORATION DESCRIPTION MODEL-PFHP-48FR OUTLINE SIZE C DWG NO STS1072RV1 SCALE NONE SHEET 1
0116758	0345590			APPD: J.Reynolds 09-25-2008 THIRD ANGLE PROJECTION EDS DATE 11-11-2011 FORMAT REV G CONFIDENTIAL: THIS DRAWING AND ITS INFORMATION ARE THE EXCLUSIVE AND CONFIDENTIAL PROPERTY OF REGAL-BELOIT CORPORATION AND ARE NOT TO BE DISCLOSED, DUPLICATED, DISTRIBUTED OR OTHERWISE USED WITHOUT THE WRITTEN CONSENT OF REGAL-BELOIT CORPORATION. -ALL RIGHTS RESERVED.		

REVISION:	ECO	REVISADO POR:	FECHA:	APROBADO POR:	FECHA:
C	0025580	P.ROJAS	04-26-2012	R.RASCON	04-26-2012



NAMEPLATE DATA	EXTERNAL CONNECTION DIAGRAM	NOTES
MODEL: K48A73A01 CUST PN: STS1072RV1 HP: 0.75/0.10 SF: 1.5 ROT: CCWPE RPM: 3450/1725 TYPE: F/C CODE: K FORM: FRAME: 56J VOLTS: 230 AMPS: MAX AMPS: 5.4/2.2 SF AMPS: - PH: 1 HZ: 60 INS: B AMB: 50°C DUTY: CONT ENCLOSURE: ODP THERMALLY PROTECTED		

PERFORMANCE CURVE	APPROVED SAMPLE		
0116758	0345590		
UL COMPONENT	CSA		
FILE#	CCN#	FILE#	GUIDE#
E25022	XEWR2	LR43341	4211-01
CUSTOMER	DISTRIBUTION SERVICES		

CARACTERISTICAS DE GEOMETRIA Y SIMBOLOS

- PLANICIDAD
- RECTITUD
- ∠ ANGULARIDAD
- ⊥ PERPENDICULARIDAD (A ESQUADRA)
- // PARALELISMO
- REDONDEZ (CIRCULARIDAD)
- ∅ CILINDRICIDAD
- △ PERFIL DE CUALQUIER SUPERFICIE
- ∇ PERFIL DE CUALQUIER LINEA
- ↑ VARIACION
- ⊕ POSICION REAL
- ◎ CONCENTRICIDAD
- = SIMETRIA

ASME Y14.5M 1994

A MENOS QUE SE ESPECIFIQUE DE OTRA MANERA, LAS TOLERANCIAS DE LAS DIMS; SON LAS SIGUIENTES:

PULG ±.1 ±.02 ±.005 ±.0005
 mm ±0.5 ±0.13 ±0.013

ANG. ± 50 GRADOS

ELIMINAR REBABAS Y ORILLAS FILOSAS DEL BORDE.

PULG .003-.015 mm 0.1-0.4

FILETEAR ESQUINA: PULG .020 mm 0.5

MAQUINAR SUPERFICIES

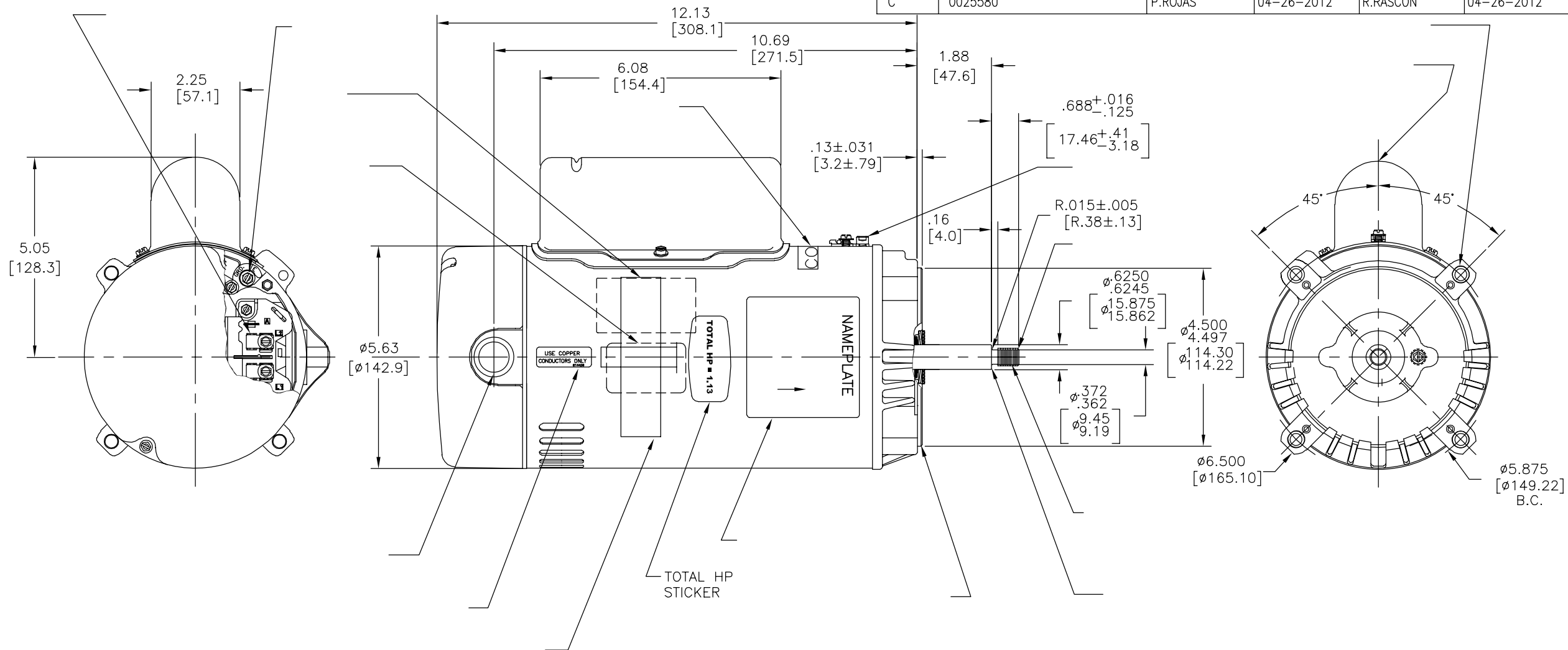
PULG 125 mm .32

DIMS METRICAS MOSTRADAS [PARENTESIS]

DIBUJADO POR:	Keyun.gong	09-25-2008
APROBADO POR:	J.Reynolds	09-25-2008
TERCER ANGULO DE PROYECCION	⊕	FECHA EDS: 11-11-2011
		REV. FORMATO: G
CONFIDENCIAL: ESTE DIBUJO Y SU INFORMACION SON PROPIEDAD DE USO EXCLUSIVO Y CONFIDENCIAL DE REGAL-BELOIT CORPORATION. Y NO DEBERAN SER REVELADOS, DUPLICADOS, DISTRIBUIDOS O USARSE DE OTRA MANERA SIN EL CONSENTIMIENTO ESCRITO DE REGAL-BELOIT CORPORATION. -TODOS LOS DERECHOS RESERVADOS.		

DESCRIPCION:	
MODEL-PFHP-48FR OUTLINE	
TAMAÑO: C	NUMERO DE DIBUJO: STS1072RV1
ESCALA: NONE	HOJA: 1

版本	ECO	编制	日期	批准	日期
C	0025580	P.ROJAS	04-26-2012	R.RASCON	04-26-2012



NAMEPLATE DATA	EXTERNAL CONNECTION DIAGRAM	NOTES
MODEL: K48A73A01 CUST PN: STS1072RV1 HP: 0.75/0.10 SF: 1.5 ROT: CCWPE RPM: 3450/1725 TYPE: F/C CODE: K FORM: FRAME: 56J VOLTS: 230 AMPS: MAX AMPS: 5.4/2.2 SF AMPS: - PH: 1 HZ: 60 INS: B AMB: 50°C DUTY: CONT ENCLOSURE: ODP THERMALLY PROTECTED		

PERFORMANCE CURVE	APPROVED SAMPLE		
0116758	0345590		
UL COMPONENT	CSA		
FILE#	CCN#	FILE#	GUIDE#
E25022	XEWR2	LR43341	4211-01
CUSTOMER	DISTRIBUTION SERVICES		

形位公差
 □ 平面度
 — 直线度
 < 倾斜度
 ⊥ 垂直度
 // 平行度
 ○ 圆度
 ⊙ 圆柱度
 △ 面轮廓度
 ∩ 线轮廓度
 ↗ 圆跳动
 ⊕ 位置度
 ⊗ 同轴度
 ≡ 对称度

除另有注明
 尺寸公差如下:
 英寸 X XX XXX XXXX
 毫米 ±.1 ±.02 ±.005 ±.0005
 角度 ±.50 度
 清理毛刺和尖棱
 英寸 .003-.015 毫米 0.1-0.4
 内圆角
 英寸 .020 毫米 0.5
 表面粗糙度
 英制 125 米制 3.2

ASME Y14.5M 1994 米制尺寸显示在 []

绘图:	Keyun.gong	09-25-2008
批准:	J.Reynolds	09-25-2008
第三角投影		图纸格式发布日期 11-11-2011 图纸格式版本 G
机密: 本图纸及相关信息所有权归REGAL-BELOIT CORPORATION. 未经REGAL-BELOIT CORPORATION书面授权, 不得泄露、复制、传播或作其他用途。一版权所有		

名称	MODEL-PFHP-48FR OUTLINE
图幅	C
图号	STS1072RV1
比例	NONE
页号	1