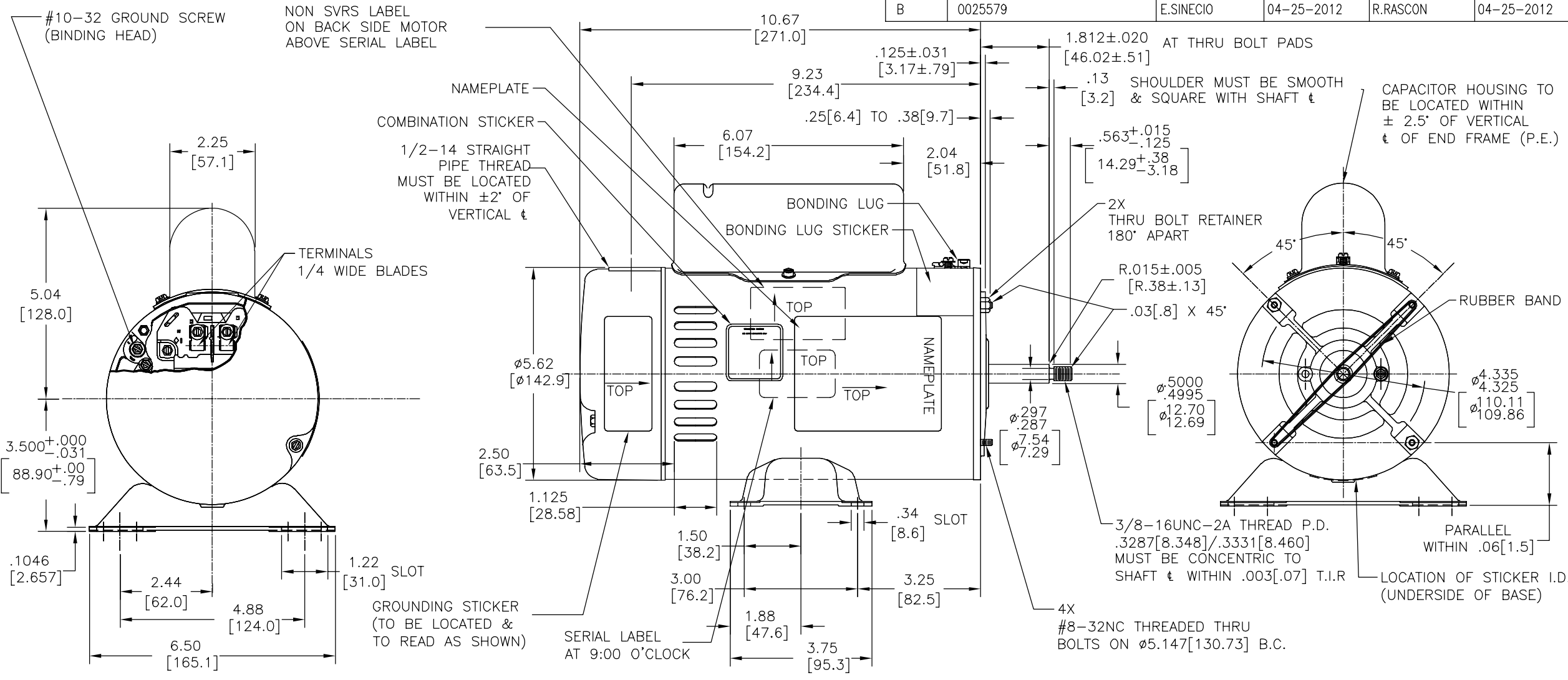


REV	ECO	REV BY	DATE	APPD	DATE
B	0025579	E.SINECIO	04-25-2012	R.RASCON	04-25-2012



NAMEPLATE DATA	EXTERNAL CONNECTION DIAGRAM	NOTES
MODEL: K48N2A4C2A1 CUST PN: SDS1252 HP: 2.5/.25 SF: 1.0 ROT: CCWPE RPM: 3450/1725 TYPE: F/C CODE: H FORM: FRAME: 56Z VOLTS: 230 AMPS: 10.7/3.0 MAX AMPS: SF AMPS: - PH: 1 HZ: 60 INS: F AMB: 50 DUTY: CONT ENCLOSURE: ODP THERMALLY PROTECTED		<ol style="list-style-type: none"> <li>1. FINISH PAINT TO BE SATIN BLACK WITH SHAFT END-FRAME AS BRIGHT ALUMINUM.</li> <li>2. 7/16" WRENCH FLATS ON SHAFT FOR ACCESS TO THIS WRENCH FLAT REMOVE END COVER.</li> <li>3. CARBON STEEL SHAFT EXT.</li> <li>4. LIMITS ON AMPLITUDE OF VIBRATION MEASURED AT BEARING HOUSING = .001[.02]</li> <li>5. MAX. END PLAY LESS THAN .005[.12]</li> </ol>

PERFORMANCE CURVE	APPROVED SAMPLE	GEOMETRIC CHARACTERISTICS & SYMBOLS □ FLATNESS - STRAIGHTNESS ∠ ANGULARITY ⊥ PERPENDICULARITY (SQUARENESS) // PARALLELISM ○ ROUNDNESS (CIRCULARITY) ∅ CYLINDRICITY △ PROFILE OF ANY SURFACE ∩ PROFILE OF ANY LINE ↗ RUNOUT ⊕ TRUE POSITION ⊙ CONCENTRICITY ≡ SYMMETRY	UNLESS OTHERWISE SPECIFIED DIM. TOLERANCES ARE AS FOLLOWS: INCH X XX XXX XXXX mm ±0.5 ±0.13 ±0.013 ANG. ±.50 DEG REMOVE BURRS & BREAK SHARP EDGES: INCH .003-.015 mm 0.1-0.4 CORNER FILLETS TO: INCH .020 mm 0.5 MACHINE SURFACES: INCH 125 mm 3.2	DR BY: WILL	09-23-2003			
K48N2W15	CSA			APPD: D.FOX	01-19-2004		DESCRIPTION: MODEL-PFHP-48FR OUTLINE	
UL COMPONENT	FILE#	CCN#	FILE#	GUIDE#	THIRD ANGLE PROJECTION	EDS DATE 02-22-2008	SIZE: C	DWG NO: SDS1252
CUSTOMER	DISTRIBUTION SERVICE				CONFIDENTIAL: THIS DRAWING AND ITS INFORMATION ARE THE EXCLUSIVE AND CONFIDENTIAL PROPERTY OF REGAL-BELOIT CORPORATION AND ARE NOT TO BE DISCLOSED, DUPLICATED, DISTRIBUTED OR OTHERWISE USED WITHOUT THE WRITTEN CONSENT OF REGAL-BELOIT CORPORATION. -ALL RIGHTS RESERVED.	FORMAT REV G	SCALE: NONE	SHEET 1

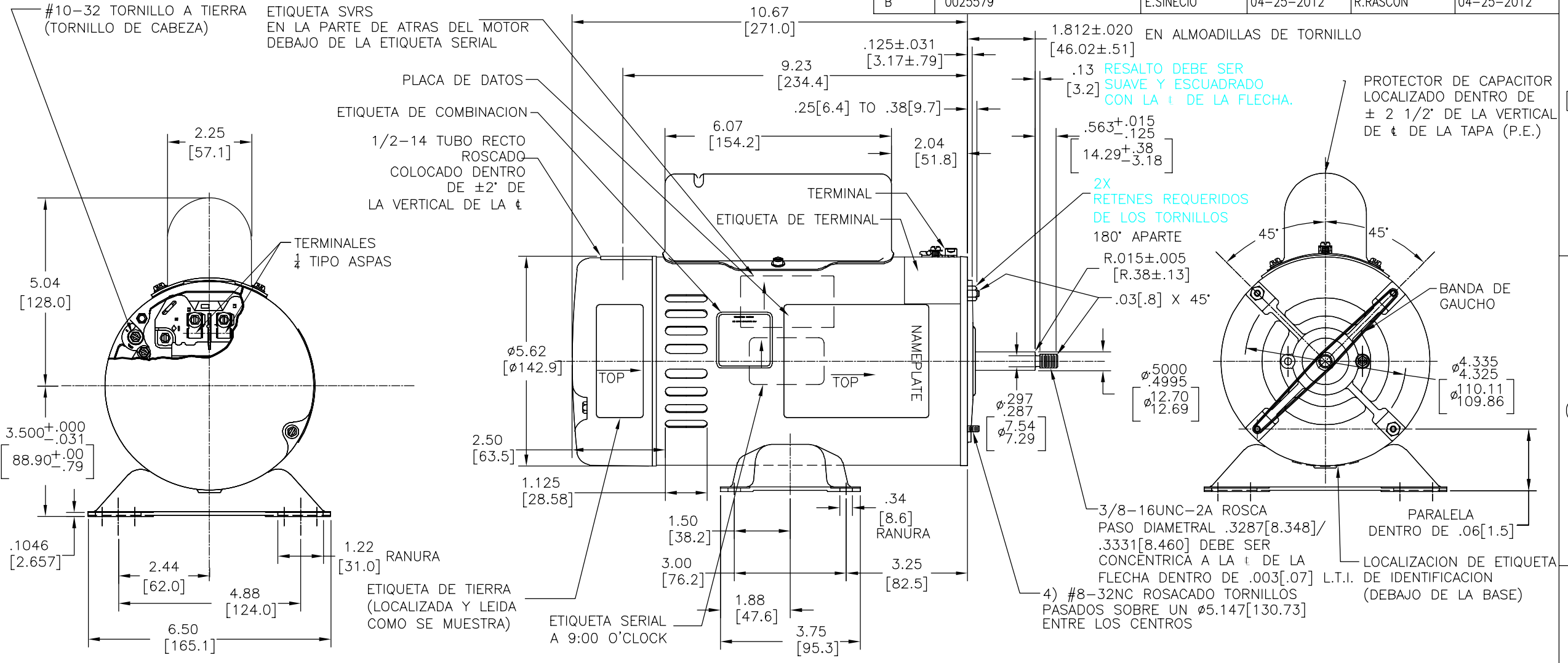
4

3

2

1

REVISION:	ECO	REVISADO POR:	FECHA:	APROBADO POR:	FECHA:
B	0025579	E.SINECIO	04-25-2012	R.RASCON	04-25-2012



NAMEPLATE DATA	EXTERNAL CONNECTION DIAGRAM	NOTES
MODEL: K48N2A4C2A1 CUST PN: SDS1252 HP: 2.5/.25 SF: 1.0 ROT: CCWPE RPM: 3450/1725 TYPE: F/C CODE: H FORM: FRAME: 56Z VOLTS: 230 AMPS: 10.7/3.0 MAX AMPS: SF AMPS: - PH: 1 HZ: 60 INS: F AMB: 50 DUTY: CONT ENCLOSURE: ODP THERMALLY PROTECTED		<ol style="list-style-type: none"> <li>ACABADO DE PINTURA ES NEGRO SATINADO CON FLECHA Y TAPA EN ALUMINIO BRILLANTE.</li> <li>LLAVES PLANAS DE 7/16" SOBRE LA FLECHA PARA ACCESO A ESTA LLAVE PLANA REMOVER LA CUBIERTA.</li> <li>FLECHA DE ACERO AL CARBON.</li> <li>LIMITES DE AMPLITUD DE VIBRACION MEDIDOS EN LA CAVIDAD DEL BALERO = .001[.02].</li> <li>JUEGO MAXIMO MENOR A .005[.12]</li> </ol>

<table border="1"> <tr> <th>PERFORMANCE CURVE</th> <th>APPROVED SAMPLE</th> </tr> <tr> <td>K48N2W15</td> <td></td> </tr> </table>	PERFORMANCE CURVE	APPROVED SAMPLE	K48N2W15		<table border="1"> <tr> <th>UL COMPONENT</th> <th>CSA</th> </tr> <tr> <td>FILE#</td> <td>FILE#</td> </tr> <tr> <td>CCN#</td> <td>GUIDE#</td> </tr> <tr> <td>E46412</td> <td>PENDING</td> </tr> </table>	UL COMPONENT	CSA	FILE#	FILE#	CCN#	GUIDE#	E46412	PENDING	CARACTERISTICAS DE GEOMETRIA Y SIMBOLOS □ PLANICIDAD - RECTITUD < ANGULARIDAD ⊥ PERPENDICULARIDAD (A ESCUADRA) // PARALELISMO ○ REDONDEZ (CIRCULARIDAD) ∅ CILINDRICIDAD △ PERFIL DE CUALQUIER SUPERFICIE ↗ PERFIL DE CUALQUIER LINEA ↗ VARIACION ⊕ POSICION REAL ⊙ CONCENTRICIDAD = SIMETRIA ASME Y14.5M 1994	A MENOS QUE SE ESPECIFIQUE DE OTRA MANERA, LAS TOLERANCIAS DE LAS DIMS; SON LAS SIGUIENTES: PULG ±.1 ±.02 ±.005 ±.0005 mm ±0.5 ±0.13 ±0.013 ANG. ± 50 GRADOS ELIMINAR REBABAS Y ORILLAS FILOSAS DEL BORDE. PULG .003-.015 mm 0.1-0.4 FILETEAR ESQUINA: PULG .020 mm 0.5 MAQUINAR SUPERFICIES PULG 125 mm 3.2 DIMS METRICAS MOSTRADAS [PARENTESIS]	DIBUJADO POR: WILL 09-23-2003 APROBADO POR: D.FOX 01-19-2004 TERCER ANGULO DE PROYECCION FECHA EDS: 02-22-2008 REV. FORMATO: G CONFIDENCIAL: ESTE DIBUJO Y SU INFORMACION SON PROPIEDAD DE USO EXCLUSIVO Y CONFIDENCIAL DE REGAL-BELOIT CORPORATION. Y NO DEBERAN SER REVELADOS, DUPLICADOS, DISTRIBUIDOS O USARSE DE OTRA MANERA SIN EL CONSENTIMIENTO ESCRITO DE REGAL-BELOIT CORPORATION. -TODOS LOS DERECHOS RESERVADOS.	DESCRIPCION: MODEL-PFHP-48FR OUTLINE TAMAÑO: C NUMERO DE DIBUJO: SDS1252 ESCALA: NONE HOJA: 1
PERFORMANCE CURVE	APPROVED SAMPLE																
K48N2W15																	
UL COMPONENT	CSA																
FILE#	FILE#																
CCN#	GUIDE#																
E46412	PENDING																

4

3

2

1

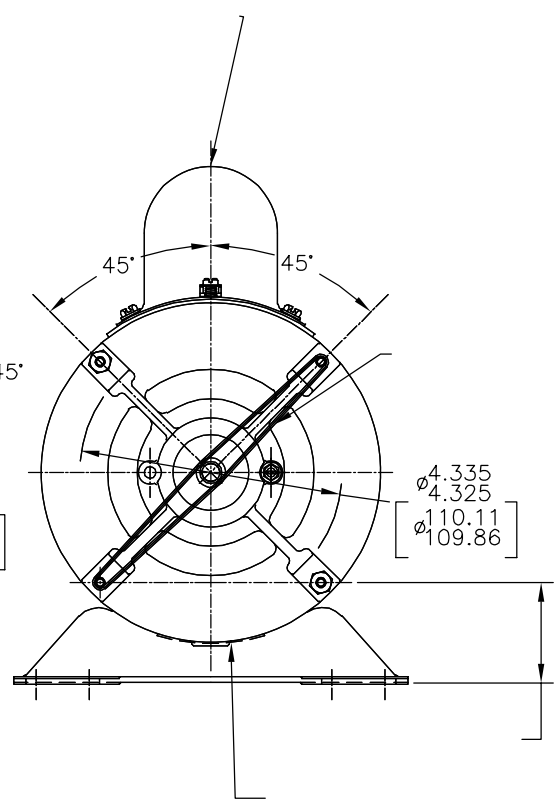
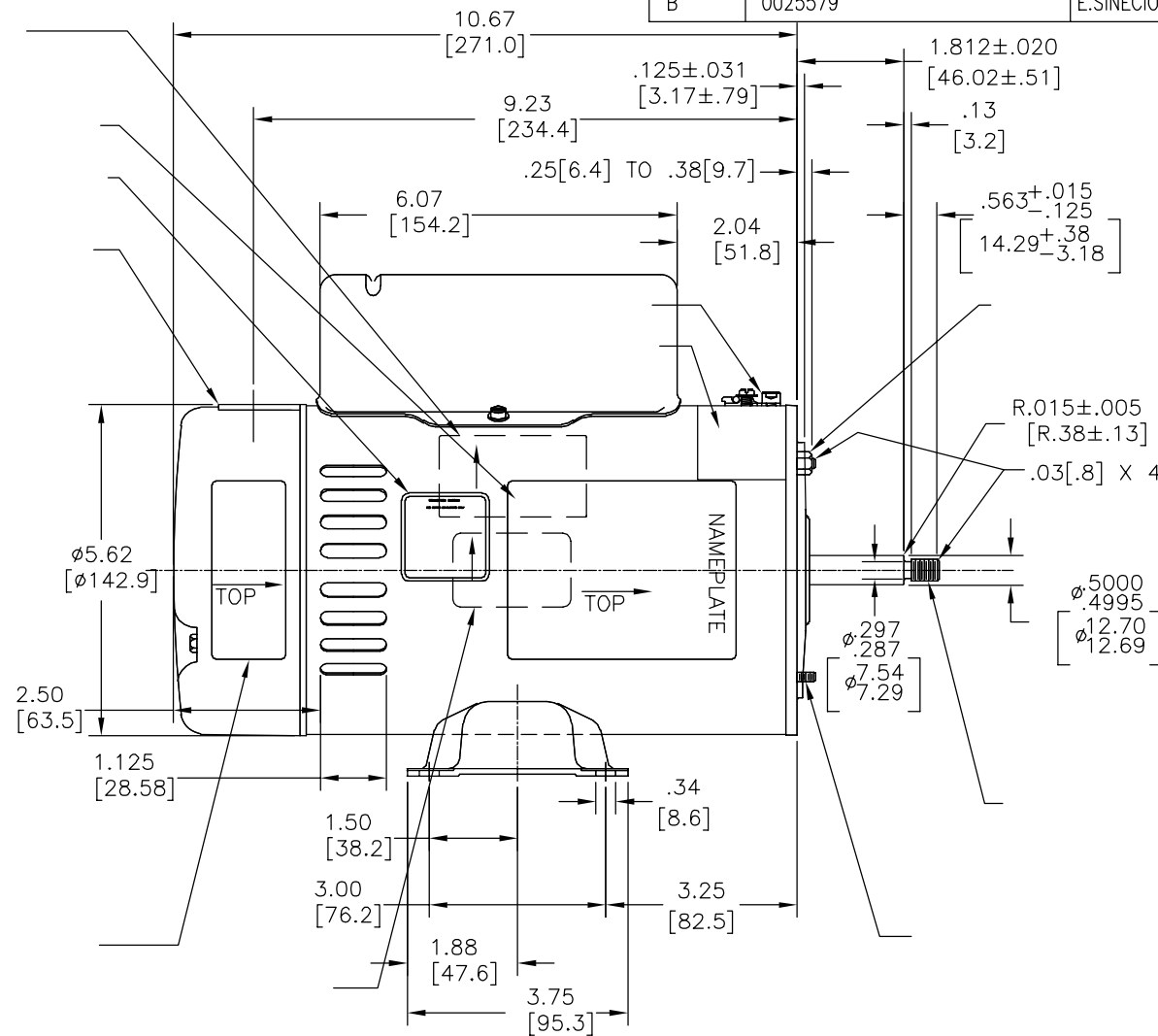
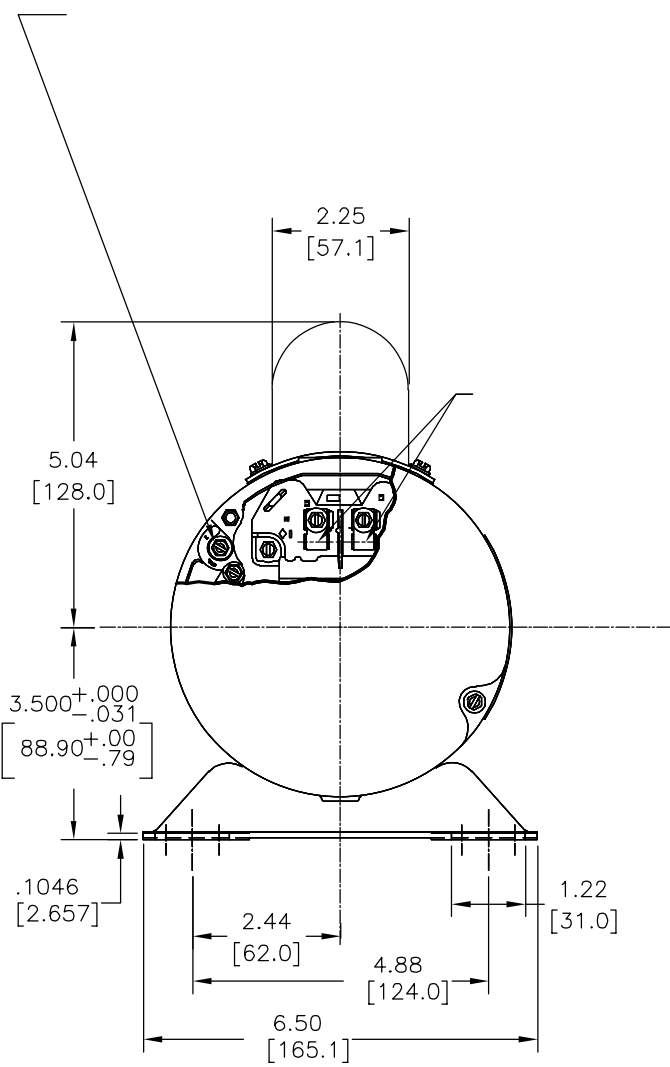
4

3

2

1

版本	ECO	编制	日期	批准	日期
B	0025579	E.SINECIO	04-25-2012	R.RASCON	04-25-2012



NAMEPLATE DATA	EXTERNAL CONNECTION DIAGRAM	NOTES
MODEL: K48N2A4C2A1 CUST PN: SDS1252 HP: 2.5/.25 SF: 1.0 ROT: CCWPE RPM: 3450/1725 TYPE: F/C CODE: H FORM: FRAME: 56Z VOLTS: 230 AMPS: 10.7/3.0 MAX AMPS: SF AMPS: - PH: 1 HZ: 60 INS: F AMB: 50 DUTY: CONT ENCLOSURE: ODP THERMALLY PROTECTED	<p>                         L2 = COM                          L1 = HI SPEED                          A = LO SPEED                          USE COPPER CONDUCTORS ONLY.                          INSTALL MOTOR WITH VENTS DOWN.                          ACCEPTABLE FOR FIELD WIRING                     </p>	

PERFORMANCE CURVE	APPROVED SAMPLE		
K48N2W15			
UL COMPONENT	CSA		
FILE#	CCN#	FILE#	GUIDE#
E46412	PRGY2	PENDING	PENDING
CUSTOMER	DISTRIBUTION SERVICE		

形位公差	除另有注明
□ 平面度	尺寸公差如下:
— 直线度	英寸 X XX XXX XXXX
∠ 倾斜度	英寸 ±.1 ±.02 ±.005 ±.0005
⊥ 垂直度	毫米 ±0.5 ±0.13 ±0.013
// 平行度	角度 ±.50 度
○ 圆度	清理毛刺和尖棱
⊙ 圆柱度	英寸 .003-.015 毫米 0.1-0.4
△ 面轮廓度	内圆角
∩ 线轮廓度	英寸 .020 毫米 0.5
↗ 圆跳动	表面粗糙度
↑ 位置度	英制 125 米制 3.2
⊕ 同轴度	米制尺寸显示在 [ ]
≡ 对称度	

绘图:	WILL	09-23-2003
批准:	D.FOX	01-19-2004
第三角投影		图纸格式发布日期 02-22-2008
		图纸格式版本 G
机密: 本图纸及相关信息所有权归REGAL-BELOIT CORPORATION. 未经REGAL-BELOIT CORPORATION书面授权, 不得泄露、复制、传播或作其他用途。一版权所有		

名称	REGAL-BELOIT CORPORATION	
MODEL-PFHP-48FR	OUTLINE	
图幅	C	图号 SDS1252
比例	NONE	页号 1

ASME Y14.5M 1994
------------------

4

3

2

1