



Part # 7000 (waterfall only)
 Part # 7000T (waterfall, pump & plumbing)

FEATURES:

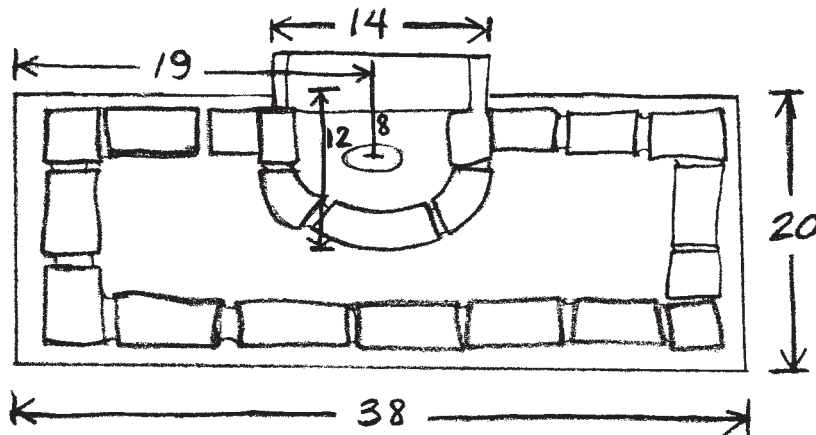
- Durable, Rugged, & Light Weight Polyurea Construction
- Emulates the Look of Hand-Laid Stacked Stone
- One Integrated Planter
- Easy On-Deck Installation
- Great Garden Centerpieces when Used with Liner and Pump
- Rated at 950 Gallons Per Hour
- Available in 2 Colors; Hues May Vary
- Color is Chemically Bonded to Undercoat

WATERFALL DIMENSIONS - 7000

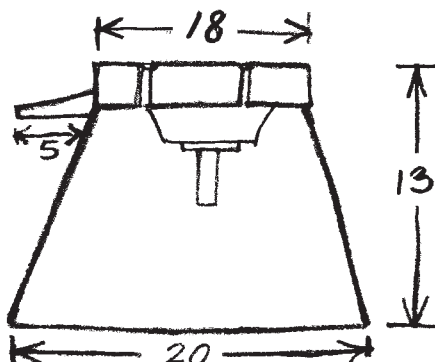
Length = 38"
Height = 13"
Width = 20"

Manor House Rock Colors =
 Desert Sandstone: -24; Gray/Brown Cobblestone: -25
(add custom color code behind part # when ordering)

TOP VIEW



SIDE VIEW



NOTE: All sizes +/- 2". Please check website for most current sizes & weights. (inter-fab.com)