



**9300** SPORT

## Polaris 9300 Sport



## Owner's Manual

### **⚠ WARNING**

**FOR YOUR SAFETY - For anything other than the routine cleaning and maintenance described in this manual, this product must be serviced by a contractor who is licensed and qualified in pool equipment by the jurisdiction in which the product will be installed where such state or local requirements exist. In the event no such state or local requirement exists, the maintainer must be a professional with sufficient experience in pool equipment installation and maintenance so that all of the instructions in this manual can be followed exactly. Improper installation and/or operation will void the warranty.**



### Table of Contents

Section 1.	Important Safety Instructions .....4	Section 5.	Cleaning and Maintenance ..... 10
Section 2.	9300 Sport Specifications .....6	5.1	Cleaning the Filter Canister..... 10
2.1	General Specifications .....6	5.2	Cleaning and Storing the Cleaner.. 11
Section 3.	Assembly and Initial Usage.....6	5.3	Replacing the Brushes ..... 11
3.1	Unpacking .....6	5.4	Replacing the Tires on the Cleaner..... 13
3.2	Assembling the Transport Caddy ...6	Section 6.	Troubleshooting ..... 14
3.3	Connecting the Power Supply to the Caddy .....8	6.1	General Troubleshooting..... 14
3.4	Electrical Connection .....8	Section 7.	Polaris 9300 Sport Exploded View and Replacement Parts List..... 15
Section 4.	Operation .....9	7.1	Parts List ..... 15
4.1	Submerging the Cleaner .....9	7.2	Exploded View..... 16
4.2	Operating the Cleaner.....9		

THANK YOU FOR PURCHASING THE POLARIS 9300 SPORT CLEANER.

YOUR POLARIS 9300 SPORT HAS BEEN DESIGNED AND MANUFACTURED TO BE EASILY INSTALLED AND TO PROVIDE LOW MAINTENANCE OPERATION. PRIOR TO INSTALLING YOUR NEW POLARIS 9300 SPORT, PLEASE DO THE FOLLOWING:

- 1) Complete and return the warranty card.
- 2) Record your purchase information on the spaces provided below.
- 3) Attach your invoice (or a copy) to this page.

Taking these steps will help ensure prompt warranty service, should it be required. If service is required, please contact your original dealer. If the original dealer does not perform warranty service, please visit [www.polarispool.com](http://www.polarispool.com) to locate an independent service company near you. If you are unable to locate a service company, please call our Technical Support department at 800-822-7933.

RECORD YOUR 9300 SPORT POOL CLEANER DATA HERE:

Date of Purchase \_\_\_\_\_ Purchased From \_\_\_\_\_ Serial Number: \_\_\_\_\_  
(located on machine head)

City \_\_\_\_\_ State \_\_\_\_\_ Zip Code \_\_\_\_\_

## Section 1. Important Safety Instructions

Congratulations on purchasing the Polaris 9300 Sport cleaner. Please take a moment to read through the entire manual before installing your new robotic pool cleaner. Your cleaner must be installed and operated as specified.

### READ AND FOLLOW ALL INSTRUCTIONS

#### WARNING

**Failure to comply with the following warnings can result in permanent injury, electrocution or drowning.**

##### PREVENT ELECTRICAL SHOCK

To reduce risk of electrical shock:

- Connect unit to receptacle protected by a ground fault circuit interrupter (GFCI).
- Per the United States National Electric Code (NEC), keep the power unit at least five (5) feet from the edge of the (pool/spa) water and do not remove it from its caddy. In Canada, the Canadian Electrical Code (CEC) requires a minimum distance of 3m (10 ft.) to be maintained between the pool edge and the power unit. Never submerge the power supply.
- Do not enter pool while the 9300 Sport is in water.
- Do not bury cord. Locate cord so as to prevent it from being damaged by lawn mowers, hedge trimmers and other equipment.
- To reduce the risk of electrical shock, do not use the 9300 Sport cleaner or power supply if the cord is worn or damaged. Contact Zodiac Pool Systems, Inc. immediately for a replacement cord.
- Double insulation—For continued protection against possible electric shock, use only identical replacement parts when servicing. Do not attempt repair of the 9300 Sport cleaner, power supply, power cord, or floating cable.
- NEVER OPEN POWER SUPPLY.
- Do not use an extension cord to connect the unit to electric supply; provide a properly located outlet. The power supply should be placed near the outlet box.

##### PREVENT CHILD INJURY AND DROWNING

- To reduce the risk of injury, do not permit children to operate this product.
- Do not let anyone, especially small children, sit, step, lean, or climb on any equipment installed as part of your pool's operational system.

#### CAUTION

**Failure to comply with the following warnings could cause damage to pool equipment or personal injury.**

- The 9300 Sport must be installed and operated as specified.
- Turn the 9300 Sport off before removing it from water, and do not operate out of water.
- Do not remove the 9300 Sport from the pool for 15 minutes after the cleaning cycle has completed.
- Clean filter canister in the 9300 Sport after each use.
- Do not use the product in your pool if the water temperature is above 95° F (35° C) or below 55° F (13° C).

**⚠ CAUTION****USE OF THE POLARIS 9300 SPORT CLEANER IN A VINYL LINER POOL**

Certain vinyl liner patterns are particularly susceptible to rapid surface wear of pattern removal caused by objects coming into contact with the vinyl surface, including pool brushes, pool toys, floats, fountains, chlorine dispensers, and automatic pool cleaners. Some vinyl liner patterns can be seriously scratched or abraded simply by rubbing the surface with a pool brush. Ink from the pattern can also rub off during the installation process or when it comes into contact with objects in the pool. Zodiac Pool Systems, Inc., is not responsible for, and the Limited Warranty does not cover, pattern removal, abrasion or markings on vinyl liners.

**SAVE THESE INSTRUCTIONS**

## Section 2. 9300 Sport Specifications

### 2.1 General Specifications

The general specifications for the Polaris 9300 Sport are as follows:

Control box supply voltage:	100-125 VAC, 60 Hz
Polaris 9300 supply voltage:	28 V DC
Installed load:	150 W max
Cable length:	60 feet 18 m
Cleaner size (WxDxH):	16.9 x 18.9 x 10.6 inches 43 x 48 x 27 cm
Pack size (WxDxH):	22.8 x 22.8 x 23.2 inches 58 x 58 x 59 cm
Weight of Cleaner:	25 lbs 11.3 kg
Packed weight:	42 lbs 19 kg
Filtration capacity:	100 microns
Cycle lengths:	1.30 hrs, 2.30 hrs

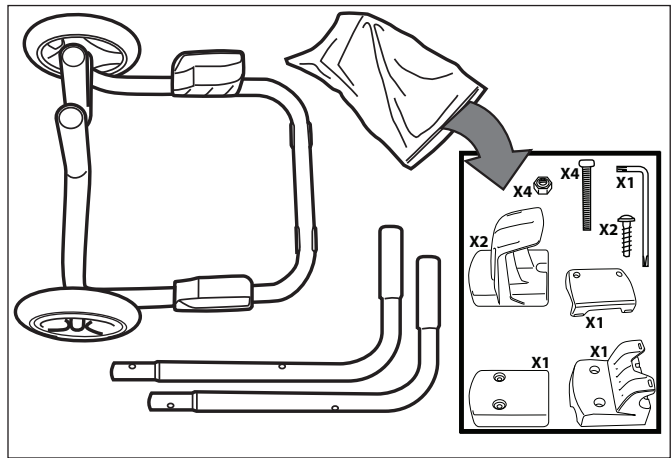
The Polaris 9300 is a double-insulated product. A double-insulated electrical appliance is one which has been designed in such a way that it does not require a safety connection to ground. The basic requirement for double-insulation is that no single failure can result in dangerous voltage becoming exposed so that it might cause an electric shock and that this is achieved without relying on an earthed (grounded) metal casing. This is achieved by having two layers of insulating material surrounding live parts or by using reinforced insulation. Therefore, devices having double-insulated construction, such as the Polaris 9300, do not utilize a grounded (three-prong) cord/plug.

## Section 3. Assembly and Initial Usage

### 3.1 Unpacking

The packaging should contain the following items (Refer to Figure 1):

- 9300 Sport cleaner
- Power supply
- Transport and storage caddy (complete with assembly components)



**Figure 1. Polaris 9300 Sport Components**

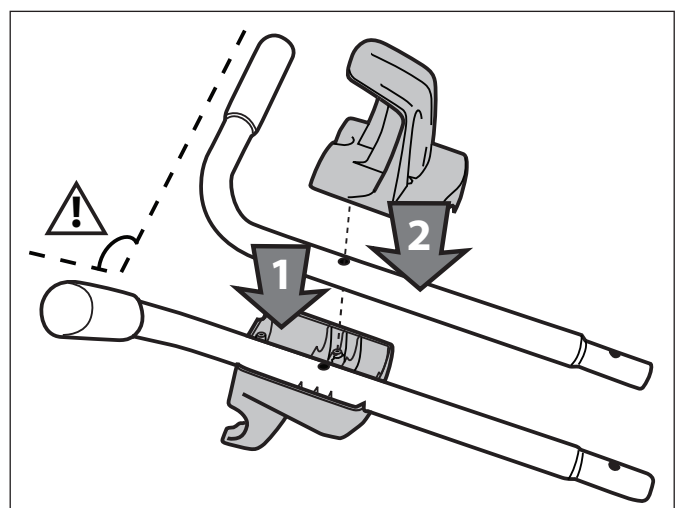
Check that the unit has not been damaged during transport. If you detect damage, contact Zodiac Pool Systems, Inc. at 800.822.7933 before using your 9300 Sport cleaner.

To unpack the 9300 Sport and its components:

1. Remove the lower portion of the caddy along with the upper and lower power cable hooks, power supply hook, power cable hook plate, locking plate, nuts, bolts and screws.
2. Remove the small box that contains the power supply.
3. Remove the handles (left and right) of the caddy, which are located against one side of the box.
4. Remove the cleaner from the box.

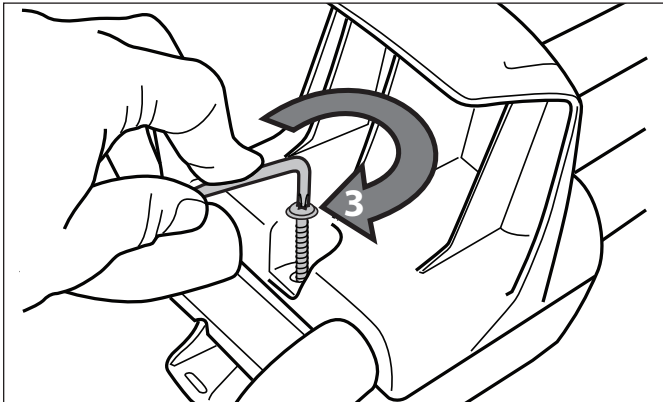
### 3.2 Assembling the Transport Caddy

1. Position the power cable hook and power supply hook on the upper tubes as shown in Figure 2. Make sure the upper tubes (handles) are in the proper orientation.



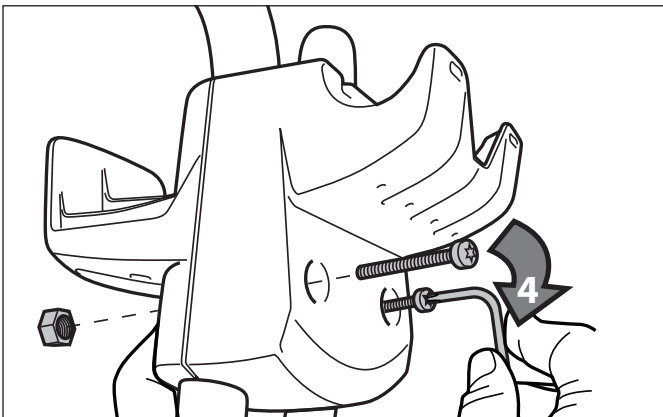
**Figure 2. Install Hooks on the Upper Handles**

- Secure the power cable hook and power supply hook around the tubes using a screw and hand tighten with the Torx® wrench (supplied with unit). Refer to Figure 3.



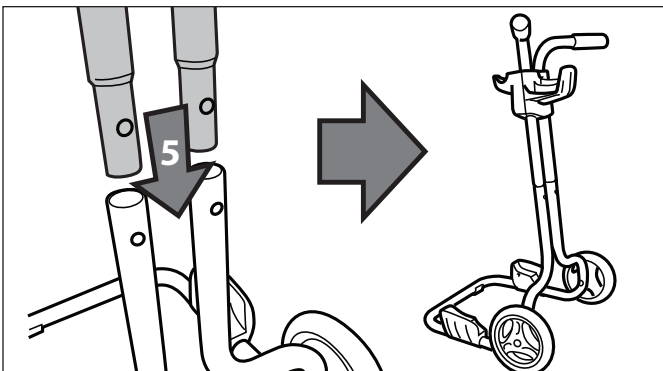
**Figure 3. Install the Power Cable Hook and Power Supply Hook**

- Secure the power supply hook using two (2) bolts and two (2) nuts and tighten with Torx wrench. Refer to Figure 4.



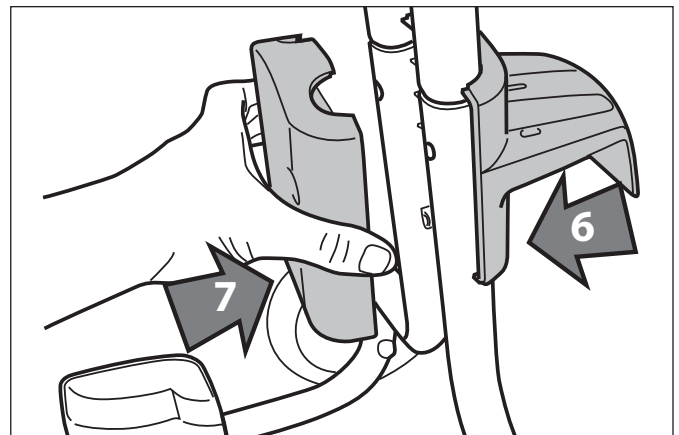
**Figure 4. Secure the Hooks**

- Insert the upper tubes (handles) into the bottom tubes on the cart as shown in Figure 5. Make sure the upper tubes (handles) are in the proper orientation and align the screw holes.

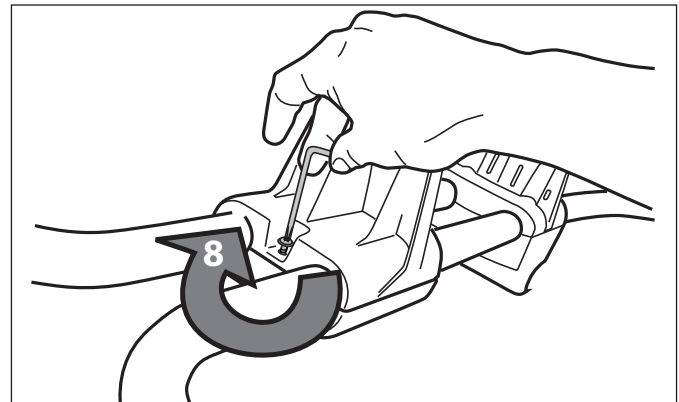


**Figure 5. Install the Handles**

- Position the bottom power cable hook as shown in Figure 6. Place the cable hook plate opposite the power cable hook. Secure using a screw and tightening with the Torx wrench. Refer to Figure 7.

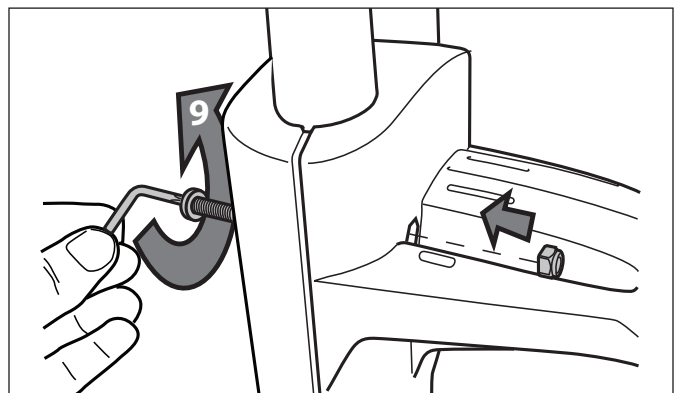


**Figure 6. Position the Bottom Power Cable Hook**

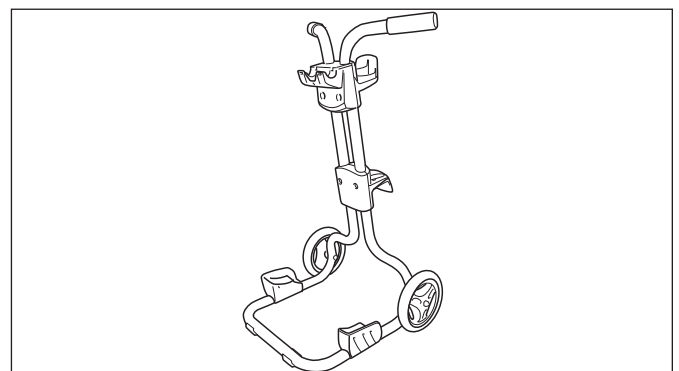


**Figure 7. Secure the Bottom Power Cable Hook**

- Secure the cable hook plate using two (2) bolts and two (2) nuts and tighten with Torx wrench. Refer to Figure 8. The transport caddy is now ready to use as shown in Figure 9.



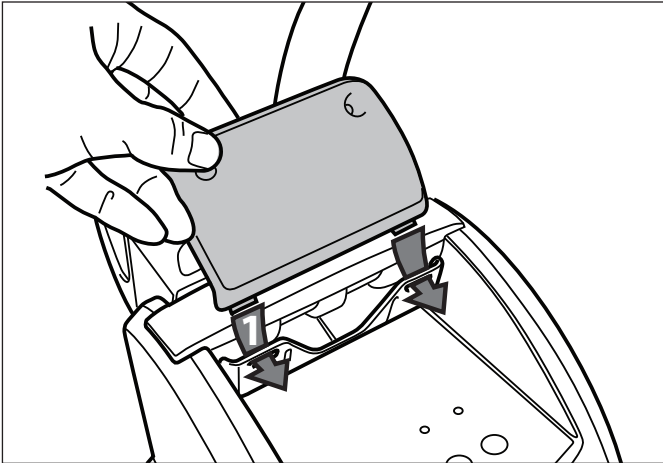
**Figure 8. Secure the Cable Hook Plate**



**Figure 9. Transport and Storage Caddy Assembled**

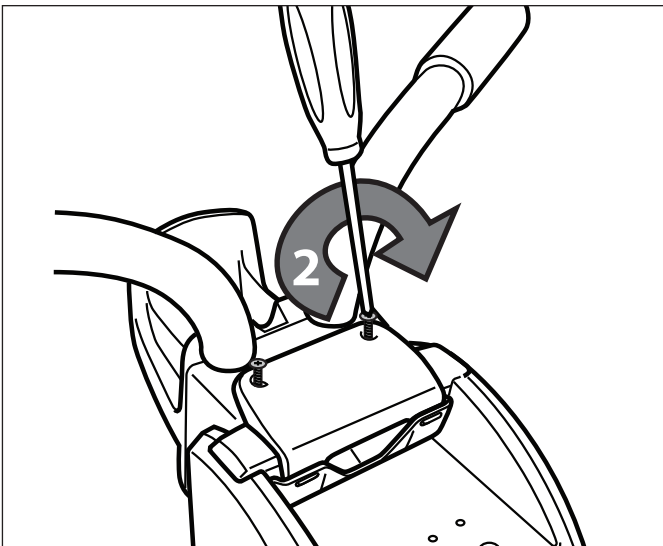
### 3.3 Connecting the Power Supply to the Caddy

1. Position the power supply over the power supply hook on the caddy.
2. Slide the locking plate clips into the control hook and line up the screw holes. Refer to Figure 10.



**Figure 10. Position the Locking Plate Clips**

3. Secure the locking plate using Phillips head screws. Do not overtighten. Refer to Figure 11.



**Figure 11. Secure the Locking Plate**

### 3.4 Electrical Connection

#### **⚠ WARNING**

Failure to comply with the following warnings can result in permanent injury, electrocution or drowning.

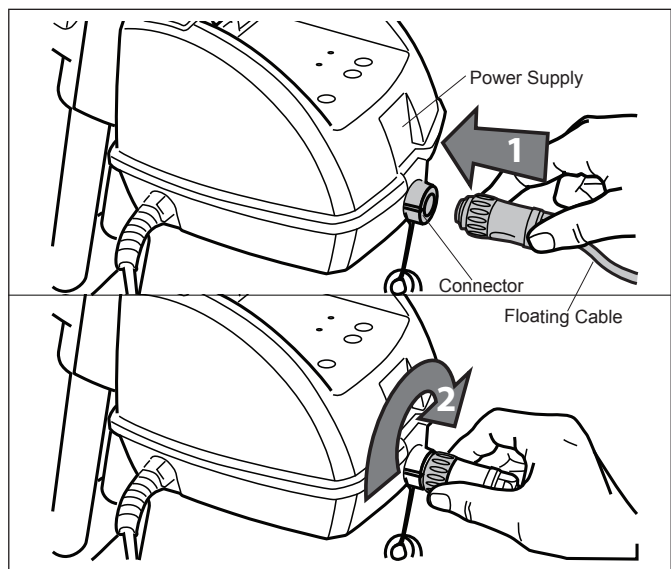
#### **PREVENT ELECTRICAL SHOCK**

- Keep the power supply at least five (5) feet from the edge of the pool (Canada 3m (10 ft.) per CEC requirements). Never submerge the power supply.
- Only connect the power supply to a receptacle protected by a ground fault circuit interrupter (GFCI). Contact a certified electrician if you cannot verify that the receptacle is protected by a GFCI.
- Do not use an extension cord to connect the power supply.
- Do not allow anyone to swim while the 9300 Sport cleaner is in the pool.

For your safety and to obtain the best possible performance from your 9300 Sport, connect the cleaner's floating cable to the power supply and thread connector until it is snug. Do not overtighten. Refer to Figure 12.

#### **IMPORTANT**

- The 9300 Sport power supply is equipped with an automatic shut off feature to prevent overheating if operated in direct sunlight for an extended period of time.
- The 9300 Sport power supply is water-resistant, not waterproof. Therefore, never submerge the power supply.



**Figure 12. Electrical Connection**



## Section 4. Operation

### 4.1 Submerging the Cleaner

1. Submerge the cleaner in the pool and remove any air trapped inside by keeping the unit vertical. Refer to Figure 13.

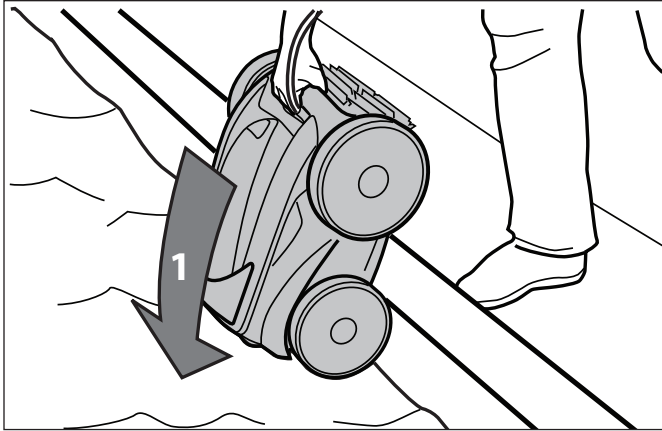


Figure 13. Submerge the Cleaner Vertically

2. Ensure the unit sinks to the bottom of the pool. Refer to Figure 14.

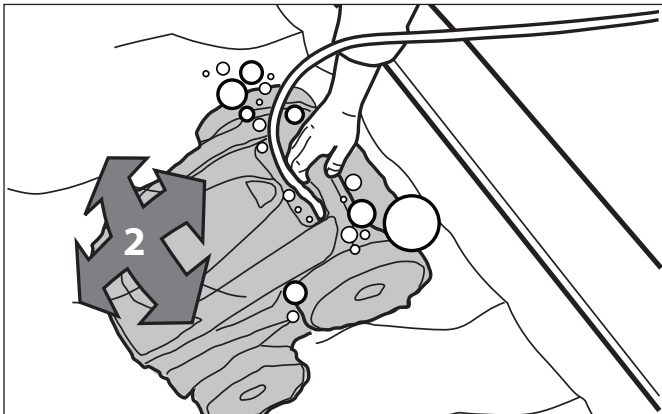


Figure 14. Cleaner on the Bottom of the Pool

3. Spread out the floating cable over the pool, ensuring there are no kinks or coils in the cable. Refer to Figure 15.

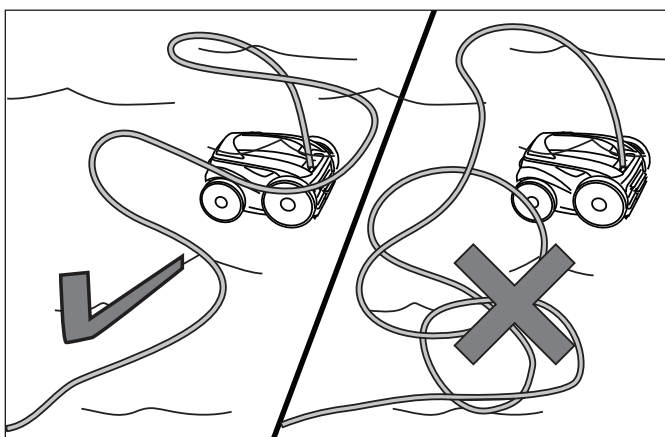


Figure 15. Spread Floating Cable Over the Pool

### 4.2 Operating the Cleaner

Select either the Cycle I or Cycle II cleaning program on the power supply:

- | Cycle I Program                    | Cycle II Program                  |
|------------------------------------|-----------------------------------|
| • Completed in 1.5 hours           | • Completed in 2.5 hours          |
| • Maximum coverage in minimal time | • Intensive and complete cleaning |
|                                    | • Thorough tile cleaning          |

1. To start your 9300 Sport cleaner, press the button for "Cycle I" cleaning program. "Cycle I" cleaning is the primary cleaning cycle for inground pools. If an alternative cycle is preferred, press "Cycle II". Refer to Figure 16. The indicator light illuminates and the cleaner starts up after just a few seconds. When the cleaner is powered ON it will remain in standby until the Cycle I button is pressed.

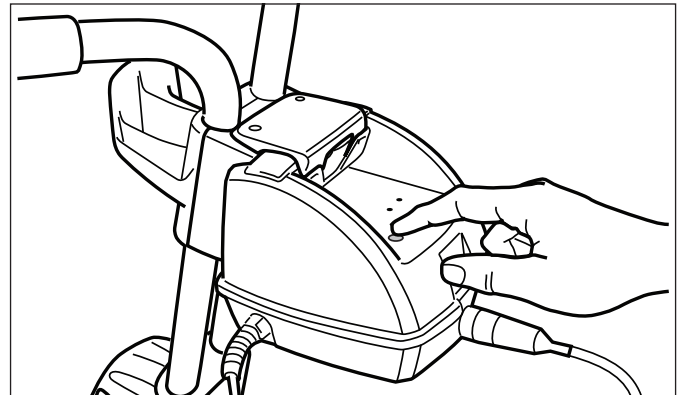


Figure 16. Start the Cleaner

2. When the "Cycle I" program button is selected the indicator light above will illuminate. The cleaner will start in a few seconds.
3. To change the selected cleaning cycle, press the new cycle button and the new cycle will start in a few seconds.
4. If you wish to stop the cleaner during a cleaning cycle, press the OFF button. Refer to Figure 17.
5. At the end of the cycle, the cleaner will stop and after 15 minutes the light will flash slowly to indicate the cycle is completed.
6. The 9300 Sport includes a safety feature that automatically stops the cleaner after about 20

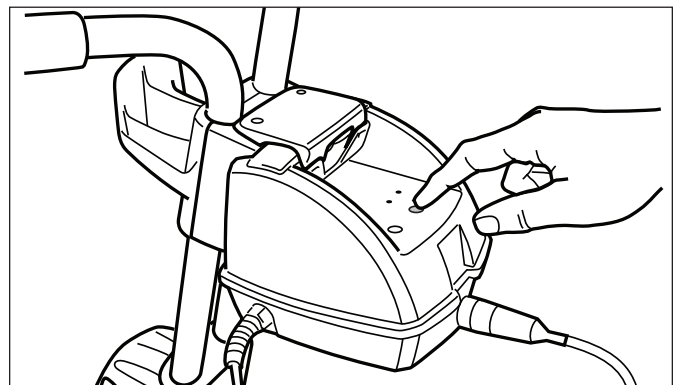


Figure 17. Turn Cleaner Off

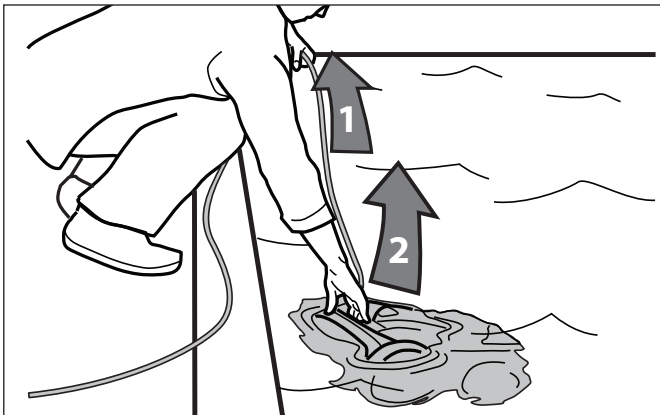
seconds, when it is powered on, but not submerged in the water. For pools equipped with a beach area, this safety feature allows the cleaner to reverse, and back into the pool when the impeller is out of the water.

7. Disconnect the power supply cable from the electrical outlet.
8. Disconnect the cable from the power supply.
9. **At the end of each cycle, coil the cable starting at the cleaner and go toward the connection point at power supply. Remove coils or twists along the way.**

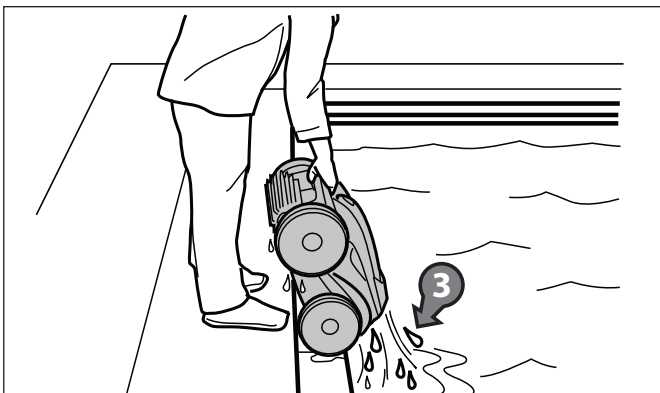
### ⚠ CAUTION

To prevent damage to the 9300 Sport, be sure to adhere to the following guidelines:

- Approximately 15 minutes after the cycle is completed, the light located on the power supply will flash slowly to indicate that the cleaner may be removed from the pool. The 15 minute period allows the motor to cool and will prevent damage to the cleaner.
- Remove the 9300 Sport from the pool after the cleaning cycle is completed and store on the caddy.
- Never lift the 9300 Sport out of the pool by the floating cable. Always use the handle to remove it from the pool. Refer to Figures 18 and 19.
- Remove the 9300 Sport from pool when super chlorinating.



**Figure 18. Remove Cleaner From Pool**



**Figure 19. Keep Cleaner Vertical to Drain Water**

### IMPORTANT

- Use your 9300 Sport cleaner as often as needed to keep your pool clean.
- Clean the filter canister after each cleaning cycle.
- Do not leave your cleaner in the pool on a permanent basis.
- At the end of each cycle, remove the cleaner from the pool. Start at the cleaner head and untangle any coils in the hose before storing the cleaner.

## Section 5. Cleaning and Maintenance

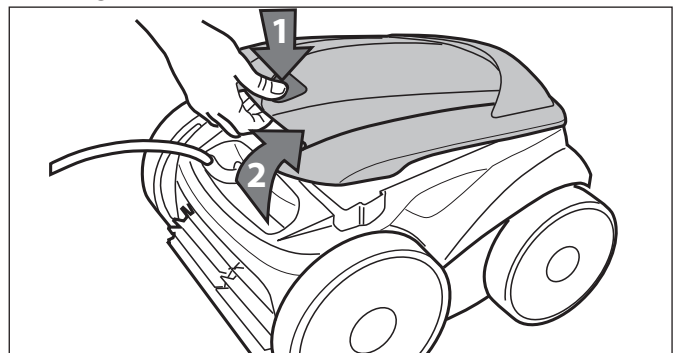
### ⚠ WARNING

To avoid electric shock and other hazards which could result in permanent injury or death, disconnect (unplug) the cleaner from the power supply before performing any cleaning and maintenance.

### 5.1 Cleaning the Filter Canister

The filter canister should be cleaned at the end of each cycle.

1. Ensure that the power supply cable has been disconnected from the electrical outlet or that the floating cable has been disconnected from the power supply.
2. Remove the cleaner from the water and let the remaining water drain by maintaining the cleaner in the vertical position.
3. Set the unit on its wheels.
4. To remove the filter from the cleaner, follow the steps 1 through 6 (Figures 20 through 23).
5. Push the cover lock (1) and lift the cover (2) until it is secured in the vertical position. Refer to Figure 20.



**Figure 20. Lift Cleaner Cover**

6. Remove the filter assembly from the body (3), as shown in Figure 21.
7. Push the quick release button on the canister assembly (4) and pull open the filter assembly (5). Refer to Figure 22.
8. Separate the filter canister from the filter support (6), as shown in Figure 23.
9. Wash the filter canister, the filter support, and the cleaner under water or using a hose (7). Refer to Figure 24.

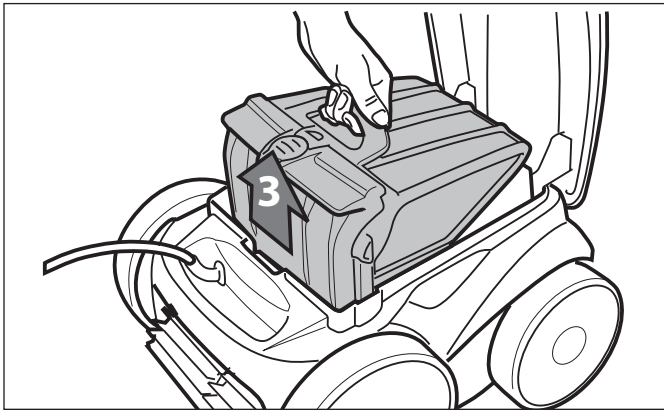


Figure 21. Remove Filter Assembly

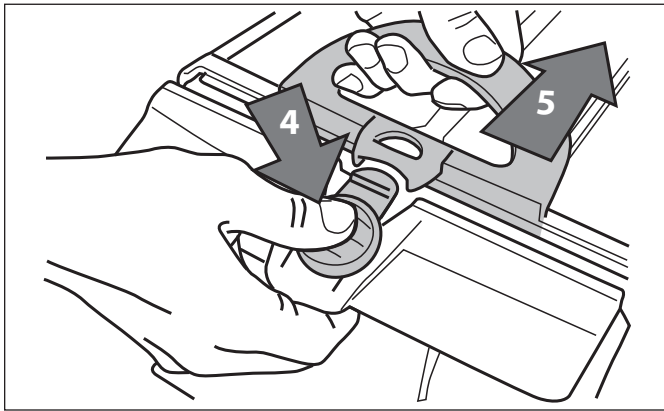


Figure 22. Open Filter Assembly

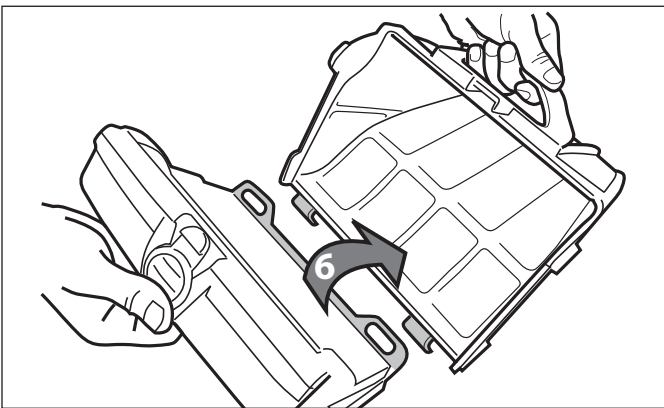


Figure 23. Remove Filter Canister

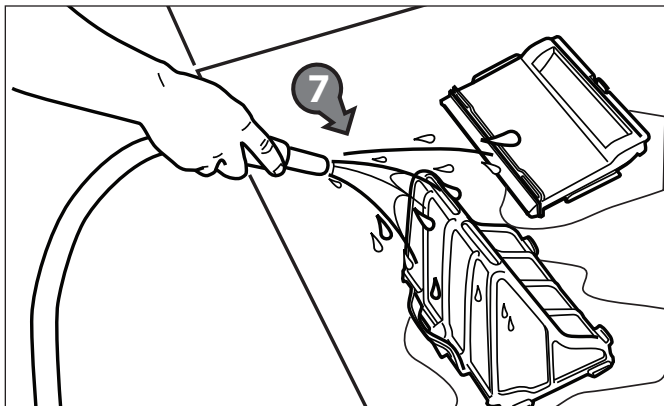


Figure 24. Wash Filter Canister

## 5.2 Cleaning and Storing the Cleaner

The cleaner must be cleaned regularly using slightly soapy clean water, do not use solvents such as trichloroethylene or its equivalent. Rinse the cleaner generously using clean water. Do not let your cleaner dry in direct sunlight near the pool. The cleaner must be stored on its own caddy, so that it dries quickly.

1. Place the rear wheels on the caddy side wedges as shown in Figure 25.



Figure 25. Position Cleaner on Caddy

2. Roll the unit into place onto the caddy. Refer to Figure 26.

NOTE: The cleaner cable must be disconnected from the control box before removing the cleaner from the pool. Wrap the cleaner cable around the hooks located at the rear of the caddy.

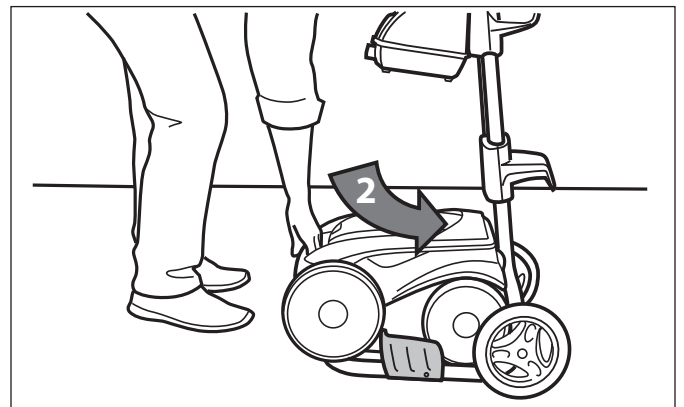
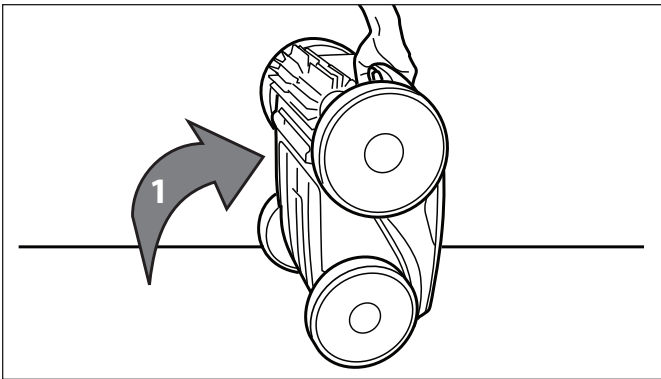


Figure 26. Roll Cleaner onto Place on the Caddy

## 5.3 Replacing the Brushes

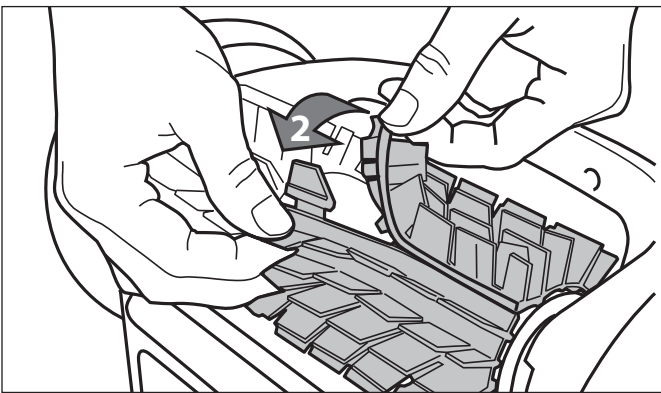
The cleaner is fitted with PVC brushes. There are "wear" indicators on the brushes. To maintain cleaner performance at its best you need to replace the brushes as soon as one of the wear indicators has been reached (even if the blade wear is not even). Polaris recommends that you replace the brushes every two (2) years.

1. Lift the cleaner to a vertical position so that the handle is up. Refer to Diagram 27.



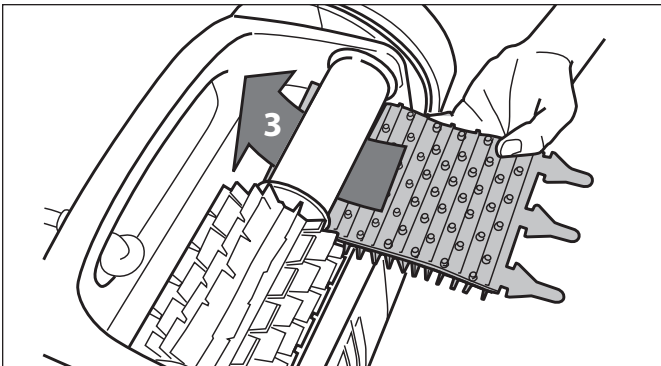
**Figure 27. Clean in Upright Position**

2. Separate the edges of the brush and undo the tabs as shown in Diagram 28. Remove the worn brushes.



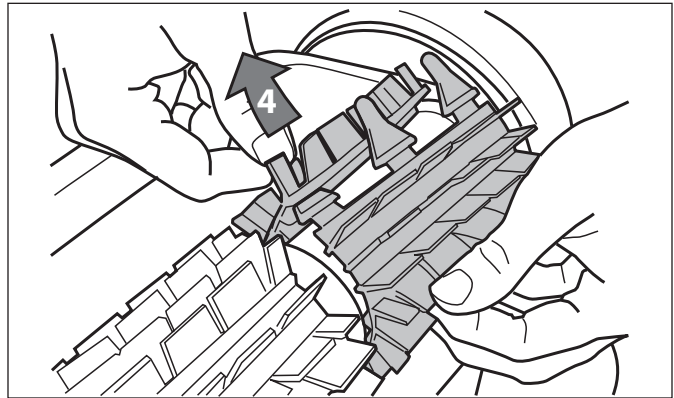
**Figure 28. Undo the Tabs of the Brush**

3. To install a new brush, position the new brush on the roller with the spikes facing downwards. Refer to Diagram 29.



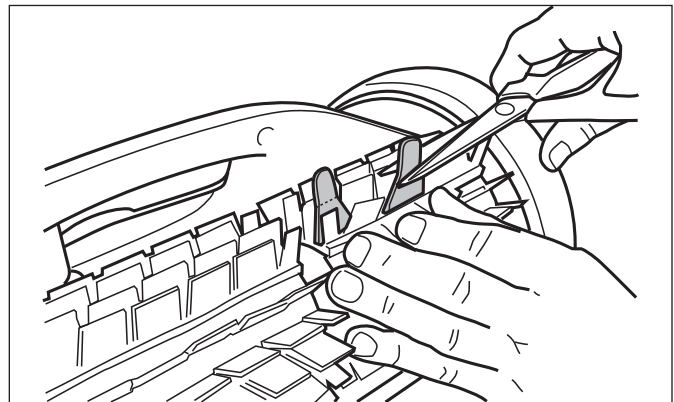
**Figure 29. Install the New Brush**

4. Thread each tab into the slot provided and gently feed it through until the heel comes out at the other side of the slot. Refer to Diagram 30.



**Figure 30. Pull Tabs Through Each Slot**

5. Use a pair of scissors to cut the tabs 3/4 inch from the heel so that they are no higher than the spikes as shown in Diagram 31.
6. Repeat this procedure to install the second brush.



**Figure 31. Cut Tabs**

### 5.4 Replacing the Tires on the Cleaner

1. Pull on the inside of the old tire to remove the tire lip from the wheel. See Figure 32.

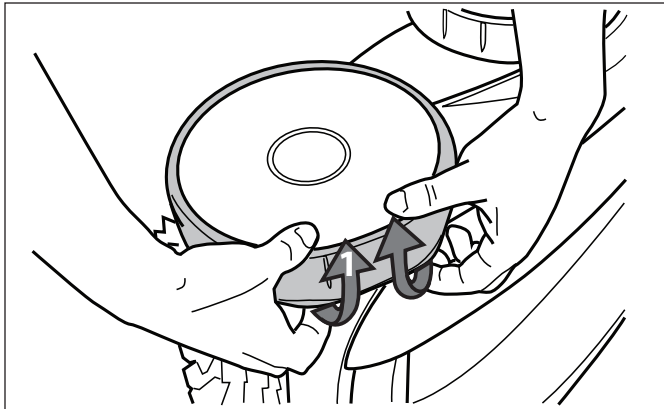


Figure 32. Pull the Old Tire Over the Wheel

2. Remove the old tire as shown in Figure 33.

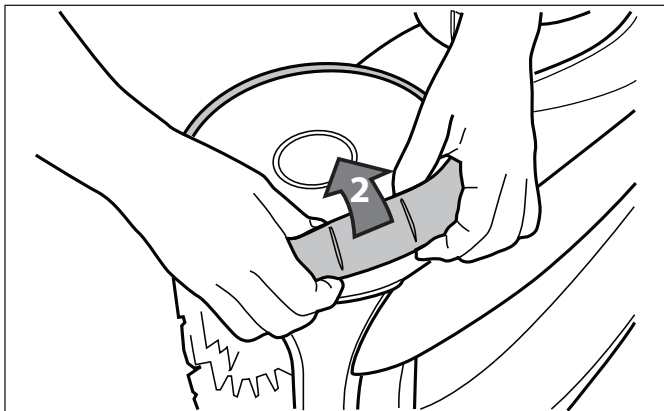


Figure 33. Remove the Old Tire

3. To replace the tire, position the tire on the wheel making sure to orient the tire so that the grooves are on the outer side of the wheel. See Figure 34.

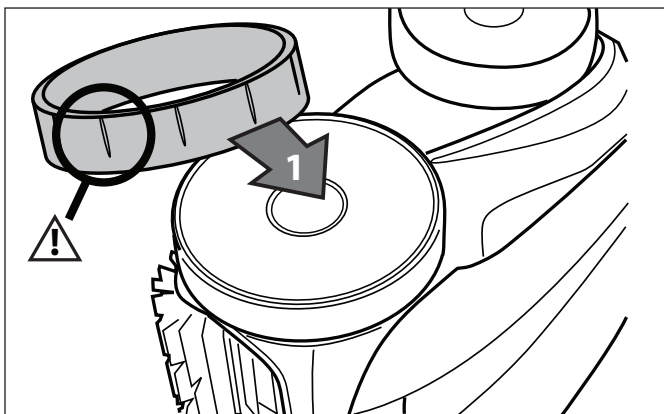


Figure 34. Tire Replacement Orientation

4. Push one side of the tire on to the wheel and fit the rib of the tire in the groove of the wheel as shown in Figure 35.

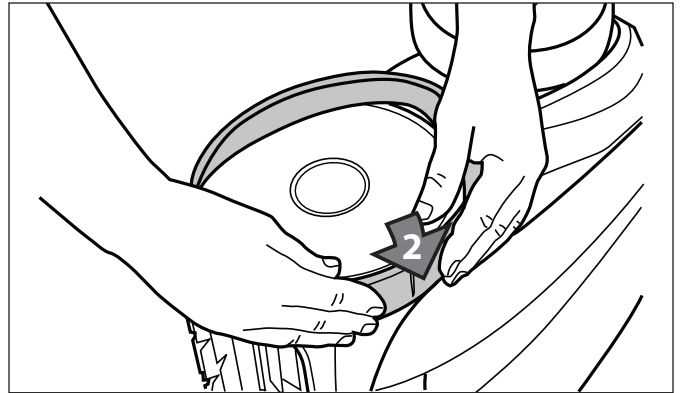


Figure 35. Start on One Side of the Tire

5. Work the tire onto the wheel and verify the rib of the tire is positioned properly within the groove of the wheel. Refer to Figure 36.

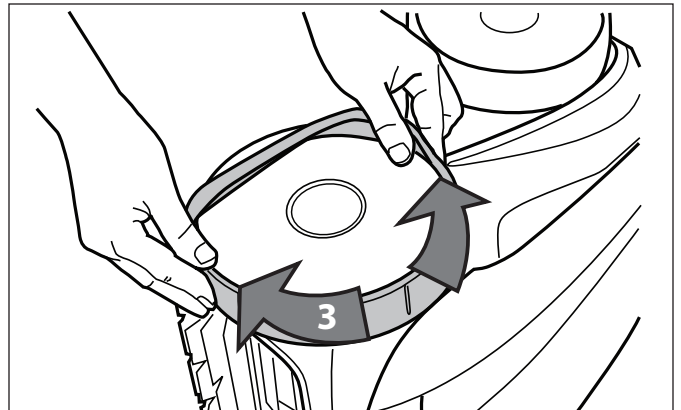


Figure 36. Work the Tire On Around the Wheel

6. Push and position the rib of the inner side of the tire in the groove of the wheel. Refer to Figure 37. If needed, turn the wheel gently to help with installation.

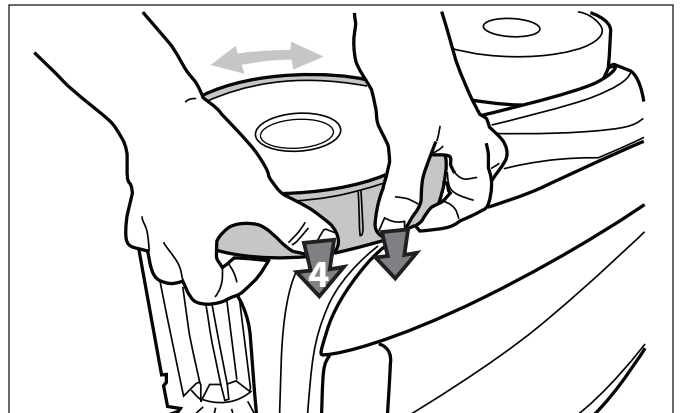


Figure 37. Push the Tire into Place on the Wheel

## Section 6. Troubleshooting

### 6.1 General Troubleshooting

Table 1 lists some of the more common symptoms, causes and solutions encountered when using the cleaner. The unit employs flashing lights to indicate different issues on the power supply and on the cleaner. These indications are not necessarily major issues. To turn off the flashing light, press the power button. Then start a new cycle: If the flashing lights persist after completing troubleshooting, please contact your retailer. DO NOT open the power supply.

Symptom	Cause	Solution
The flashing indicator lights appear just after start (pressing the Power or Cycle button to start the cleaner) (< 20 seconds).	Ensure the floating cable is properly plugged into the power supply.	Unplug the floating cable from the power supply and plug it again properly.
	Ensure the cleaner is well submerged.	Submerge the cleaner following the procedure in Section 4.1, "Submerging the Cleaner".
	Cleaner needs to be reset and start new cycle.	Press the power button OFF and then Cycle I or II Program buttons to start new cycle.
	Propeller does not turn.	Please contact your local Polaris service representative.
	Wheels do not turn.	Please contact your local Polaris service representative.
The flashing lights appears during the cycle.	If the cleaner sucks air for 60 seconds, the flashing light appears.	Submerge the cleaner following the procedure in Section 4.1, "Submerging the Cleaner".
The cleaner does not stay firmly on the pool bottom.	There is air in the appliance casing.	Submerge the cleaner following the procedure in Section 4.1, "Submerging the Cleaner".
The cleaner does not or no longer climbs the pool sides.	The filter is full or dirty.	Clean the filter canister following the procedure Section 5.1, "Cleaning the Filter Canister".
	Sides of pool are slippery or slimy. Although the water seems clear, microscopic algae, invisible to the human eye, are present in the pool. As a result the pool sides become slippery and prevent the cleaner from climbing.	Do a shock chlorination treatment and slightly reduce the pH. DO NOT leave the cleaner in the pool during this treatment.
On startup the cleaner does not move.	Not supplied with electricity.	The outlet the power supply it is connected to is not supplying electrical power. Check that the outlet to which the power supply is connected is receiving electricity.
	Unit is turned ON.	Check that you have started one (1) of the two (2) programs and check that the indicator for the selected program is lit. If the problem persists, contact your local Polaris service representative.
The cycle I and II program indicators flash alternately.	Your cleaner has encountered a problem or a issue during its operation.	Disconnect the power supply and wait 20 seconds before reconnecting the power supply. Check that the cable is correctly connected to the power supply. Check that no debris impedes the rotation of the brushes and/or the propeller. Clean the filter. Start a new cleaning program. If the problem continues contact your local Polaris service representative.
The cleaner seems to be performing less efficiently.	The brushes have become smooth.	Replace the brushes following the procedure in Section
	Filter canister is full or dirty.	Clean the filter canister following the procedure in Section 5.1, "Cleaning the Filter Canister".
	Floating cable is excessively coiled or kinked.	Make sure the floating cable is spread out over the pool.

## Section 7. Polaris 9300 Sport Exploded View and Replacement Parts List

### 7.1 Parts List

Key No.	Description	Qty.	Order Part No.
1	Caddy	1	R0516200
2	Power Supply, Complete	1	R0516500
3	Main Housing (Top & Bottom)	1	R0516600
4	Motor Block Screw Kit	22	R0516700
5	Cable (Floating)	1	R0516800
6	Motor Block	1	R0516900
7	Propeller	1	R0517000
8	Complete Cover	1	R0517100
9	Transmission Gear/Bushing (2 Sets)	1	R0517200
10	Brush Set (Set of 2)	1	R0517300
11	Roller Kit (Set of 2)	1	R0517400
12	Flow Outlet	1	R0517500
13	Flow Outlet Screen	1	R0517600
14	Filter Canister Support	1	R0517700
15	Filter Canister	1	R0517800
16	Front Wheel w/ Tire	1	R0517900
17	Rear Wheel w/ Tire	1	R0518000
18	Bumper w/ Roller Kit (Set of 2)	1	R0518100
19	Motor Housing Cover Kit (w/ O-ring)	1	R0518200
20	Front Tire	1	R0518300
21	Rear Tire	1	R0518400
22	Wheel Bushing (1 Set for Each Wheel)	1	R0518500
23	Float Kit (Set of 4 pieces)	1	R0518600
24	Brush Separator	1	R0518700
25	Drive Gear Kit	1	R0518800
26	Ramp Kit	1	R0519000
27	Caddy Handle Grip Kit	1	R0507300
28	Caddy Shoulder Grip Kit	1	R0516100
29	Power Supply Mounting Bracket Kit	1	R0507400
30	Wheel Kit, Caddy	1	R0507500

## 7.2 Exploded View

