

FNS® Plus Vertical Grid D.E. Filter Owner's Manual

IMPORTANT SAFETY INSTRUCTIONS READ AND FOLLOW ALL INSTRUCTIONS SAVE THESE INSTRUCTIONS

Table of Contents

SECTION I. FILTER INSTALLATION.	1
SECTION II. FILTER OPERATION.	2
SECTION III. TROUBLE SHOOTING.	8
SECTION IV. TECHNICAL DATA.	9-10
WARRANTY	11

⚠ WARNING

Before installing this product, read and follow all warning notices and instructions accompanying this filter. Failure to follow safety warnings and instructions can result in severe injury, death, or property damage. Call (800) 831-7133 for additional free copies of these instructions.

Important Notice



Attention Installer.

This manual contains important information about the installation, operation and safe use of this product. This information should be given to the owner/operator of this equipment.

SECTION I. FILTER INSTALLATION.

A. GENERAL INFORMATION.

1. The filter should be mounted on a level concrete slab. Position the filter so that instructions, warnings and the pressure gauge are visible to the operator. It also should be positioned so that the piping connections, control valve and drain port are convenient and accessible for servicing and winterizing.
2. Install electrical controls (e.g., on/off switches, timers, control systems, etc.) at least five (5) feet from the filter. This will allow you enough room to stand clear of the filter during system start up.
3. Allow sufficient clearance around the filter to permit visual verification that the clamp is properly installed around the tank flanges, see Figure 1.
 - a. Tap the clamp with a mallet or similar tool to ensure uniform loading during clamp tightening.

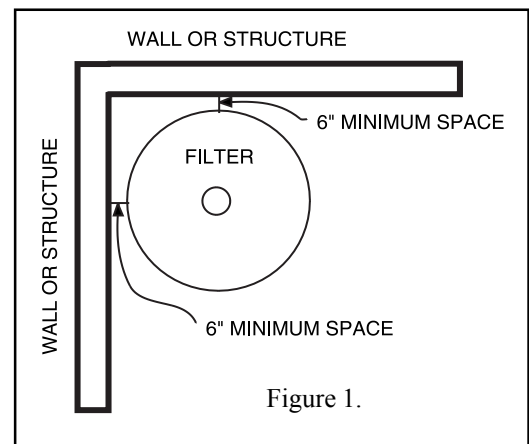


Figure 1.

4. Allow sufficient space above the filter to remove the filter lid for cleaning and servicing. This distance will vary with the model of filter you are using. See Table 1 for the required vertical clearance.
5. Position the filter to safely direct water drainage. Rotate the High Flow™ manual air relief valve to safely direct purged air or water. Water discharged from an improperly positioned filter or valve can create an electrical hazard as well as damage property.

⚠ WARNING	
	Risk of electrical shock or electrocution. Position the filter and High Flow™ manual air relief valve to safely direct water drainage and purged air or water. Water discharged from an improperly positioned filter or valve can create an electrical hazard that can cause severe personal injury as well as damage property.

6. Your filter requires one of the following Pentair Pool Products accessories which must be purchased separately.
 - a. Push-Pull valve
 - b. Multiport valve
 - c. Bulkhead union set

Table 1.				
Model	P/N	Size	Vertical Clearance Req.	NSF
FNSP 24	180006	24 sq. ft.	48 in.	no
FNSP 36	180007	36 sq. ft.	62 in.	yes
FNSP 48	180008	48 sq. ft.	74 in.	yes
FNSP 60	180009	60 sq. ft.	86 in.	yes

7. Make all plumbing connections in accordance with local plumbing and building codes. Filter plumbing connections are provided with an O-ring seal. To avoid damage to the O-rings, use only a silicone base lubricant on the O-rings. Do not use pipe joint compound, glue or solvent on the bulkhead connections.
8. The maximum working pressure of this filter is 50 psi. Never subject this filter to pressure in excess of this amount - even when conducting hydrostatic pressure tests. Pressures above 50 psi can cause the lid to be blown off, which can result in severe injury, death or property damage.

When performing hydrostatic pressure tests or when testing for external leaks of the completed filtration and plumbing system, ensure that the maximum pressure that the filtration system will be subjected to DOES NOT EXCEED THE MAXIMUM WORKING PRESSURE OF ANY OF THE COMPONENTS CONTAINED WITHIN THE SYSTEM. In most cases, the maximum working pressure will be stated on each component of the system.

If doubt exists as to the pressure to which the system will be subjected, install an ASME approved automatic Pressure Relief or Pressure Regulator in the circulation system for the lowest working pressure of any of the components in the system.

SECTION II. FILTER OPERATION.

A. GENERAL INFORMATION.

1. This filter operates under pressure. When clamped properly and operated without air in the water system, this filter will operate in a safe manner.
2. The maximum working pressure of this filter is 50 psi. Never subject this filter to pressure in excess of this amount - even when conducting hydrostatic pressure tests. Pressures above 50 psi can cause the lid to be blown off, which can result in severe injury, death or property damage.

When performing hydrostatic pressure tests or when testing for external leaks of the completed filtration and plumbing system, ensure that the Maximum Pressure that the filtration system will be subjected to DOES NOT EXCEED THE MAXIMUM WORKING PRESSURE OF ANY OF THE COMPONENTS CONTAINED WITHIN THE SYSTEM. In most cases, the maximum working pressure will be stated on each component of the system.

If doubt exists as to the pressure to which the system will be subjected, install an ASME approved automatic Pressure Relief or Pressure Regulator in the circulation system for the lowest working pressure of any of the components in the system.

3. The pressure gauge is the primary indicator of how the filter is operating. Maintain your pressure gauge in good working order.
4. Never operate filter in excess of three (3) minutes without use of diatomaceous earth. Diatomaceous earth is the substance that filters the water, the filter cloth merely supports the diatomaceous earth. Operating without diatomaceous earth will damage filter elements and shorten filtering cycles.

⚠ WARNING



THIS FILTER OPERATES UNDER HIGH PRESSURE. WHEN ANY PART OF THE CIRCULATING SYSTEM, e.g., CLAMP, PUMP, FILTER, VALVE(S), ETC. IS SERVICED, AIR CAN ENTER THE SYSTEM AND BECOME PRESSURIZED. PRESSURIZED AIR CAN CAUSE THE LID TO BE BLOWN OFF WHICH CAN RESULT IN SEVERE INJURY, DEATH, OR PROPERTY DAMAGE. TO AVOID THIS POTENTIAL HAZARD, FOLLOW THESE INSTRUCTIONS.

1. BEFORE REPOSITIONING VALVE(S) AND BEFORE BEGINNING THE ASSEMBLY, DISASSEMBLY, OR ADJUSTMENT OF THE CLAMP OR ANY OTHER SERVICE OF THE CIRCULATING SYSTEM: (A) TURN THE PUMP OFF AND SHUT OFF ANY AUTOMATIC CONTROLS TO ENSURE THE SYSTEM IS NOT INADVERTENTLY STARTED DURING THE SERVICING; (B) OPEN HIGH FLOW™ MANUAL AIR RELIEF VALVE; (C) WAIT UNTIL ALL PRESSURE IS RELIEVED.
2. WHENEVER INSTALLING THE FILTER CLAMP **FOLLOW THE FILTER CLAMP INSTALLATION INSTRUCTIONS EXACTLY.**
3. ONCE SERVICE ON THE CIRCULATING SYSTEM IS COMPLETE **FOLLOW SYSTEM RESTART INSTRUCTIONS EXACTLY.**
4. MAINTAIN CIRCULATION SYSTEM PROPERLY. REPLACE WORN OR DAMAGED PARTS IMMEDIATELY, e.g., clamp, pressure gauge, valve(s), O-rings, etc.
5. BE SURE THAT THE FILTER IS PROPERLY MOUNTED AND POSITIONED ACCORDING TO INSTRUCTIONS PROVIDED.

B. CLAMP INSTALLATION INSTRUCTIONS.

These instructions **MUST BE FOLLOWED EXACTLY** to prevent the lid from blowing off during system restart or later operation.

1. Perform the following steps before working on any part of the circulating system, e.g., clamp, pump, filter, valve(s), etc.
 - a. Turn the pump off and shut off any automatic controls to ensure that the system is not inadvertently started during servicing.
 - b. Open the High Flow™ manual air relief valve until it snaps into the full open position (this only requires a quarter turn counter clockwise).
 - c. Wait until all pressure is relieved. **Never attempt to assemble, disassemble or adjust the filter clamp while there is any pressure in the filter.**
2. Be certain the O-ring is in position in the lower tank half. Press the filter lid over the lower tank half sandwiching the O-ring in between.
3. Holding the ends of the filter clamp apart, position the center segment of the filter clamp over both upper and lower tank flanges. Bring the ends of the filter clamp together, while inserting the T-Bolt into the trunnion; see Figure 2.
4. Using Figure 2 as a guide - place washer (large I.D.) and the tension-indicating spring on the barrel nut. Place the second washer (small I.D.) on the T-Bolt. Hand-tighten nut. Recheck filter clamp for proper seating on tank flanges.
5. Begin to tighten nut using a 7/8 in. wrench. Then tap around the outside of the filter clamp with a mallet (or similar tool) to ensure uniform loading and proper seating of the clamp. Continue tapping and tightening until the spring coils touch each other. Do not tighten beyond this point.
6. Follow the instructions in Section C, SYSTEM RESTART INSTRUCTIONS, which follows.
7. The spring coils should be checked at least once per month to ensure that they continue to touch each other, indicating that the clamp is under sufficient tension. If coils fail to touch repeat step B.5 above.

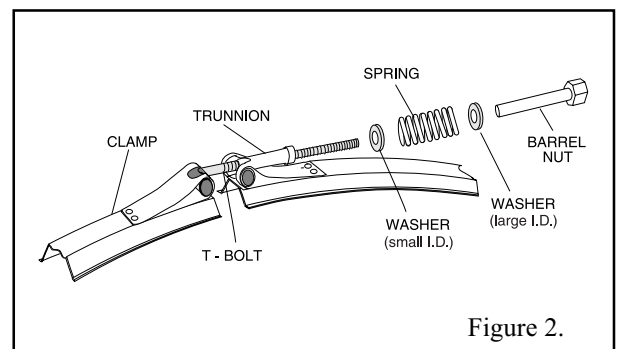


Figure 2.

C. SYSTEM RESTART INSTRUCTIONS.

⚠ WARNING



THIS FILTER OPERATES UNDER HIGH PRESSURE. WHEN ANY PART OF THE CIRCULATING SYSTEM, e.g., CLAMP, PUMP, FILTER, VALVE(S), ETC. IS SERVICED, AIR CAN ENTER THE SYSTEM AND BECOME PRESSURIZED. PRESSURIZED AIR CAN CAUSE THE LID TO BE BLOWN OFF WHICH CAN RESULT IN SEVERE INJURY, DEATH, OR PROPERTY DAMAGE. TO AVOID THIS POTENTIAL HAZARD, FOLLOW THESE INSTRUCTIONS.

1. **Open the High Flow™ manual air relief valve until it snaps into the full open position (this only requires a quarter turn counter clockwise).** Opening this valve rapidly releases air trapped in the filter.
2. Stand clear of the filter tank, then start the pump.
3. Close the High Flow™ manual air relief valve after a steady stream of water appears.
4. The system is not working properly if:
 - a. A solid stream of water does not appear within 30 seconds after the pump's inlet basket fills with water.
 - b. The pressure gauge indicates pressure before water out-flow appears.

If either condition exists, **shut off the pump immediately**, open valves in the water return line to relieve pressure, and clean the air relief valve; see Section II, FILTER OPERATION. If the problem persists, call Customer Service at (800)831-7133.

D. COATING THE FILTER ELEMENTS WITH DIATOMACEOUS EARTH.

⚠ CAUTION

The following information should be read carefully since it outlines the proper manner of care and operation for your filter system. You can expect maximum efficiency and life from your filtration system by following these instructions and taking the necessary preventative care.

1. Push-Pull Valve.
 - a. Push handle on valve down with slight twisting motion as far as it will go. Lock upper pin in cap. Open High Flow™ manual air relief valve on the filter. Proceed with steps 2.b to 2.g, below.
2. Multiport Rotary Valve.
 - a. Position valve to FILTER OR VACUUM TO POOL setting. This is your normal flow from the pump through the filter to the pool. Open the High Flow™ manual air relief valve on the filter. Proceed with steps 2.b to 2.g, below.
 - b. Prepare recommended amount of diatomaceous earth by mixing it with water in a bucket until it is the consistency of milk; see Section E, PREPARING DIATOMITE.
 - c. On initial start-up the pump must be primed by filling the hair and lint strainer pot with water. You may have to do this several times.
 - d. Follow the steps outlined in Section C, SYSTEM RESTART INSTRUCTIONS for system start-up.
 - e. Introduce the slurry of diatomite from the bucket directly into the top of the skimmer. With the pump running and the pool skimmer valve open, pour the mixture directly into the skimmer. The slurry will be drawn into the filter.
 - f. Your filter is now operational. Note the original starting pressure on the gauge and record it below.
 - g. Clean your filter when pressure reads between 10 to 12 psi higher than the original starting pressure. Your filter pressure reading will increase as it removes dirt from your pool. However, this build-up of pressure will vary due to different bathing loads, temperature, weather conditions, etc.
 - h. MY ORIGINAL STARTING PRESSURE IS _____ psi (pounds per square inch). I SHOULD BACKWASH AT _____ psi.

NOTE

If the starting pressure after backwashing the filter or cleaning the elements indicates 4 to 5 psi higher than the normal starting pressure, the filter elements must be cleaned. Refer to step 1, Section H, CLEANING FILTER ELEMENTS for instructions.

E. PREPARING DIATOMITE.

Your filter requires diatomaceous earth (D.E. or diatomite) for proper filtration and operation. Your filter elements must be precoated with this material in order to protect their surfaces and provide the most efficient filtering action. Refer to Table 2 for the proper quantity to use with your filter. We recommend the use of D.E. which is sold and labeled for use with swimming pools and spas. These grades of D.E. typically have a median particle size of 34 microns, which is ideal for most applications.

<u>Filter Area (sq. ft.)</u>	<u>Weight of D.E.</u>	<u>No. of 1 lb. Coffee Cans</u>
24	2.4 lbs.	6
36	3.6 lbs.	8
48	4.8 lbs.	10
60	6.0 lbs.	12

1. The FNS Plus Vertical Grid Series filters are listed with the appropriate amounts of diatomite to be used to precoat the filter elements. A one (1) pound coffee can filled (level) with diatomite is equal to one half pound weight of diatomaceous earth. Do not "pack" or compress diatomite into the coffee can.
2. Mix the required amount of diatomite with sufficient water in a bucket to make a thin, milky mixture.
3. Follow the instructions in Section D, COATING THE FILTER ELEMENTS to introduce the slurry of diatomite into the filter.

F. CLEANING THE FILTER MANUALLY.

1. Turn the pump off, shut off any automatic controls to ensure that the system is not inadvertently started during servicing.
2. Automatic skimmer should have Vari-Flo trimmer valve set to 100% skimmer. This will close off the main drain line. If there is a separate skimmer line and main drain line plumbed to the pump, close the main drain valve.
3. Open the filter High Flow™ manual air relief valve, and the waste drain valve or plug if your system has one.
4. Remove the pump's hair and lint strainer pot lid and clean the basket. Replace basket and secure lid. Follow the instructions provided with your pump.
5. **Never attempt to assemble, disassemble or adjust the filter clamp while there is pressure in the filter.** Release the tank clamp assembly and remove tank lid. Lift out the complete element for washing. Care should be taken not to lose or damage the internal air relief, located on top of the manifold.
6. Using your garden hose, thoroughly flush off all contaminated diatomite from the filter element surfaces.

NOTE

To clean individual grids, see Step 1, Section H, CLEANING FILTER ELEMENT.

7. After coating the stand-pipe O-ring generously with a silicone base lubricant, replace the element assembly in the filter tank, seating it firmly in place. Ensure the internal air bleed assembly is in place and free of diatomite or debris, see Section II, CLEANING THE INTERNAL AIR BLEED TUBE.
8. Ensure the O-ring is in position in the lower tank half. Place and press the filter lid over the lower tank half sandwiching the O-ring in between.
9. Replace tank top and carefully follow instructions in Section B, CLAMP INSTALLATION INSTRUCTIONS.
10. Reset skimmer Vari-Flow Trimmer Valve or main drain line to pump; close waste drain valve or plug, and then follow the procedure as outlined in Section D, COATING THE FILTER ELEMENTS.

G. CLEANING YOUR FILTER USING A SYSTEM WITH A SEPARATION TANK.

1. Before working on any part of the circulating system, clamp, pump, filter, valve(s), etc., perform the following steps.
 - a. Turn the entire pool/spa system off to ensure that the system is not inadvertently started during servicing.
 - b. Open the High Flow™ manual air relief valve.
 - c. Wait until all pressure is relieved. **Never attempt to assemble, disassemble or adjust the filter clamp while there is pressure in the filter.**
2. Turn skimmer to full skim position and close main drain line.

3. Remove pump lid and clean basket. Replace basket and secure lid.
4. Valve Procedures.
 - a. Push-Pull Valve.
 - (1) Twist to unlock plunger, then raise handle as far as it will go. Turn handle clockwise to lock lower pin in underside of cap.
 - (2) **Open the High Flow™ manual air relief valve until it snaps into the full open position (this only requires a quarter turn counter-clockwise).** Opening this valve rapidly releases air trapped in the filter.
 - (3) Stand clear of the filter tank, then start the pump.
 - (4) Close the High Flow™ manual air relief valve after a steady stream of water appears.
 - (5) When water flows clear in sight glass or discharge line, shut off pump.
 - (6) Position the Push-Pull valve to the normal FILTER setting by lowering the handle and twisting it to the locked position.
 - (7) Open High Flow™ manual air relief valve on top of separation tank, wait for water to stop draining from Air Relief.
 - (8) Loosen Separation Tank clamp and lift off Separation Tank lid.
 - (9) Remove bag and dispose of diatomite in trash can. Replace clean bag and set bag in seat (curved portion of Separation Tank). Put plastic hold-down in place to prevent earth from going back into pool, one double bag is furnished with Separation Tank.

NOTE

Filter waste and diatomite are trapped by the heavy-duty double lined Separation Tank bag. Contents are to be placed in a waste or trash container, clean the bag and re-insert in the Separation Tank. **DO NOT LEAVE THE SEPARATION TANK BAG EXPOSED IN THE SUN.** The manufacturer cannot assume any responsibility for torn, or damaged bags, if left in the sun to dry.

- (10) Replace Separation Tank lid and secure Separation Tank lid clamp. Follow instructions in Section B, CLAMP INSTALLATION INSTRUCTIONS.
- (11) Leave valve in normal FILTER position.
- (12) Follow instructions in Section C, SYSTEM RESTART INSTRUCTIONS to start up filter.
- (13) Introduce the recommended amount of diatomite per Section D, COATING THE FILTER ELEMENTS. Your filter is now in operation.

b. Multiport Rotary Valve. After completing steps 1 to 3 of this section, (G), perform the following steps:


- (1) Position valve to BACKWASH setting.
- (2) **Open the High Flow™ manual air relief valve until it snaps into the full open position (this only requires a quarter turn counter-clockwise).** Opening this valve rapidly releases air trapped in the filter.
- (3) Stand clear of the filter tank, then start the pump.
- (4) Close the High Flow™ manual air relief valve after a steady stream of water appears.
- (5) When sight glass shows a clear flow of water, shut off pump.
- (6) Position Multiport Rotary valve to CLOSED setting.
- (7) Follow steps 4.a (7-13) in this section, (G), above.

H. CLEANING FILTER ELEMENTS.

To completely disassemble the filter element assembly for a more thorough cleaning of the individual elements, stand the element assembly on the deck exactly as it comes out of the filter with the manifold on top.

1. Disassembly:
 - a. Remove plastic stand-offs from tie rod ends (on some models).
 - b. Using a 1/2 in. wrench or deep socket, remove both nuts from the manifold.
 - c. Remove top manifold by holding lift handles and pulling straight up.
 - d. Gently remove the plastic template from the elements.
 - e. Remove elements one at a time from the bottom spreader.

2. Cleaning with water:
 - a. Using a garden hose, thoroughly flush off all contaminated diatomite from the filter element surfaces.
3. Cleaning with muriatic acid:

⚠ WARNING	
	<p>Working with muriatic acid can be dangerous. When cleaning elements always wear rubber gloves and eye protection. Add acid to water, do not add water to acid. Splashing or spilling acid can cause severe personal injury and/or property damage.</p>

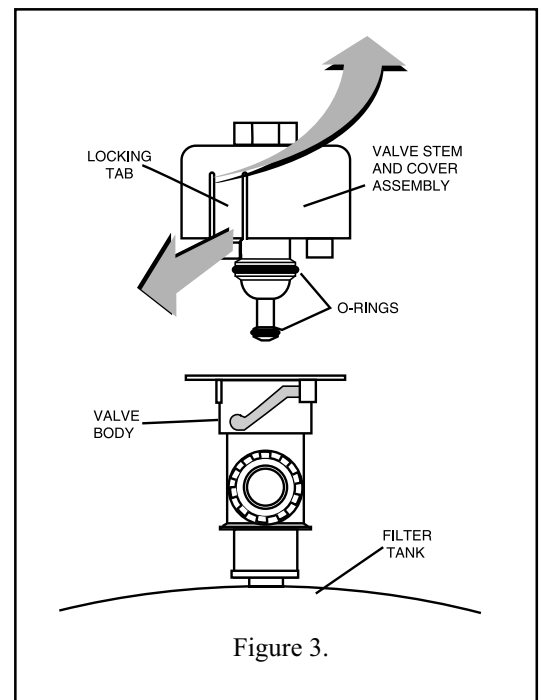
- a. A stiffening of the fabric caused by mineral deposits is usually referred to as "liming up". It usually is due to deposits of either magnesium or calcium or both. Removal of these deposits may be accomplished by soaking the filter elements in six (6) parts water to one (1) part hydrochloric acid (muriatic acid).
 - b. Wear rubber gloves and eye protection when mixing the solution, and handling or rinsing the filter elements.
 - c. Soak for at least four (4) hours in a plastic tub or pail.
 - d. Rinse filter elements thoroughly in tap water.
4. Reassemble:
- a. Starting with the "SMALL GRID" element, place the element on the bottom spreader in the position marked "SMALL GRID" using the "foot print" pattern as a guide for proper location.
 - b. Continue positioning the remaining elements onto the spreader in the same manner as the small element.
 - c. After all elements have been positioned on the bottom spreader, place the plastic template over the element spouts. This will keep the elements positioned correctly.
 - d. Position the top manifold over the elements with the stand pipe inlet port pointing in the direction of the small element. Using moderate force push down on the manifold to seat it on to the elements. Ensure template is not caught or trapped between manifold and element spouts.
 - e. Replace the two nuts and the two plastic stand-offs, (if equipped).
 - f. Replace the completed element assembly into the filter tank.

I. CLEANING THE INTERNAL AIR BLEED TUBE.

1. Rinse the air bleed tube with water to clean away built-up debris. Normally, this is all that is necessary to properly clean the tube.

J. CLEANING THE HIGH FLOW™ MANUAL AIR RELIEF VALVE.

1. Turn the pump off and shut off any automatic controls to ensure that the system is not inadvertently started during servicing.
2. **OPEN THE HIGH FLOW™ MANUAL AIR RELIEF VALVE UNTIL IT SNAPS INTO THE FULL OPEN POSITION, THEN WAIT UNTIL ALL PRESSURE IS RELIEVED.**
3. With the High Flow™ manual relief valve attached to the filter tank, pull out the locking tabs and remove the valve stem and cover assembly with a counter-clockwise and lifting motion, see Figure 3.
4. Clean debris from the valve stem and body. Ensure that the filter tank's air passage is open by inserting a 5/16 in. drill bit through the valve body. Ensure that the O-rings are in good condition, properly positioned, and lubricated with a silicone base lubricant.
5. Reinstall the valve stem and cover assembly with a downward and clockwise motion until it snaps into position.



SECTION III. TROUBLE SHOOTING.

A. AIR ENTERING YOUR FILTER IS DANGEROUS.

1. Air entering your filter can cause the lid to blow off. Correct any conditions in your filtration system that allow air to enter the system. Some common ways to identify air entering the system are listed below.
 - a. Low water level in pool or spa - skimmer is starving for water with pump running. Add water to pool or spa.
 - b. Air bubbles or low water level in pump hair and lint pot are caused by the following factors:
 - (1) Low water level.
 - (2) Clogged skimmer basket.
 - (3) Split suction cleaner hose.
 - (4) Leak in pump hair and lint pot lid.
 - (5) Leak in pump suction line.
 - c. Air bubbles coming out of water return lines into pool or spa with pump running, see steps A.1.a-b, above.
 - d. Air is discharged from the High Flow™ manual air relief valve on top of the filter when the valve is opened with the pump running, see steps A.1a-b above.

B. LIMING-UP.

1. A stiffening of the fabric caused by mineral deposits. It usually is due to deposits of either magnesium or calcium or both.
 - a. Removal of these may be accomplished by soaking the grids in six (6) parts water to one (1) part hydrochloric acid (muriatic acid). Refer to Section II.H.2, Cleaning Filter Elements with muriatic acid for cleaning instructions.

C. CLOUD OF DIRT.

1. A brief "cloud" of dirt may appear immediately when the filter starts. This is a characteristic of diatomite filters.

D. SHORT FILTER RUNS.

1. Until the water initially put into the pool has been completely filtered, short filter runs are normal. In most cases, pool owners are dismayed by the undesirable color and appearance of water in a newly filled pool. Plaster dust can be responsible for short filter runs, requiring frequent cleaning.

E. PRESSURE DROPS ON GAUGE.

1. If pressure drops on gauge, shut off power to pump and turn motor shaft with your fingers. If it turns freely then the pump must be disassembled and the impeller checked to see if it is clogged. If it is not frozen or clogged then there is an obstruction in the line between the pool and the pump.

F. PRESSURE REMAINS HIGH AFTER BACKWASH.

1. If pressure remains high after backwash - backwash filter again. If still high, treat for conditions covered by item B above.

G. MAINTAIN YOUR PRESSURE GAUGE IN GOOD WORKING ORDER.

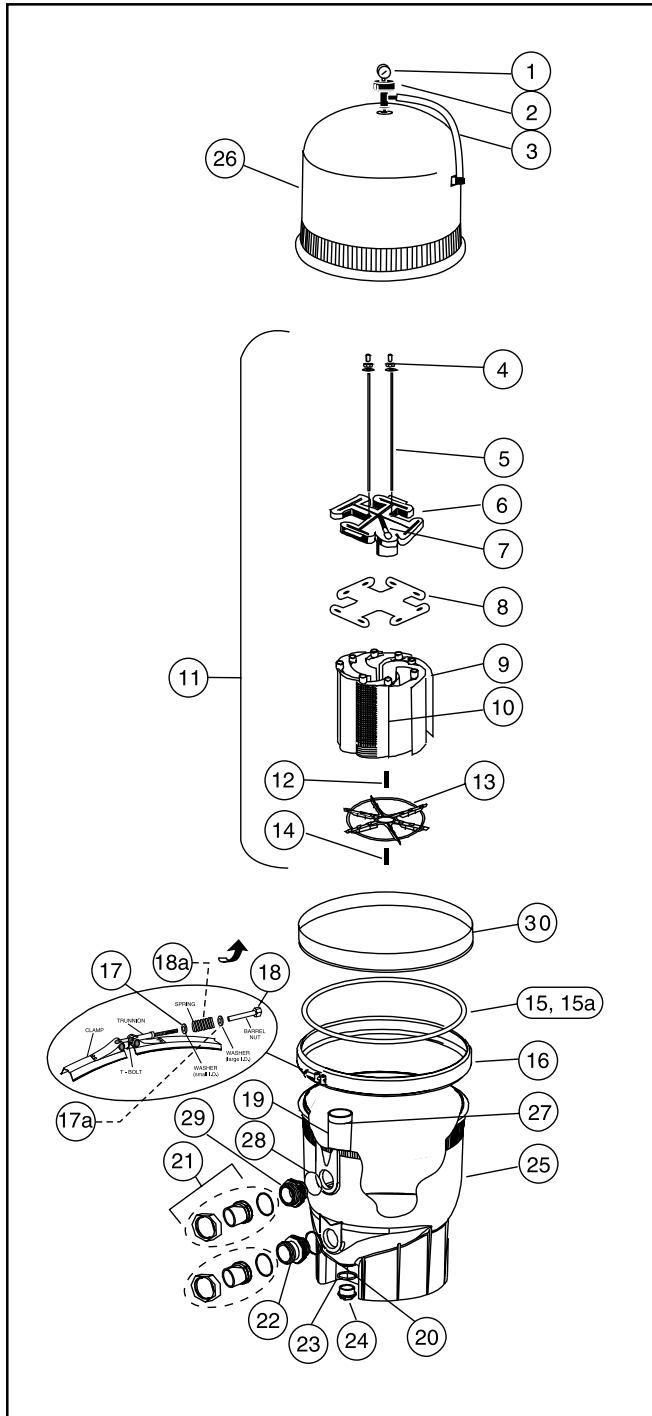
1. The pressure gauge is an important part of the filter system. It is your primary indicator of how the system is operating. Check the operation of your pressure gauge in the following manner.
 - a. The pressure gauge should go to zero (0) when the system is turned off and pressure is relieved.
 - b. The pressure gauge should indicate pressure when the system is operating.
 - c. The pressure gauge should be readable and not damaged in any way.
 - d. Replace the pressure gauge if it is not meeting the requirements of items a. through c. of this section.

H. DIATOMITE IS CONTINUOUSLY ENTERING THE POOL.

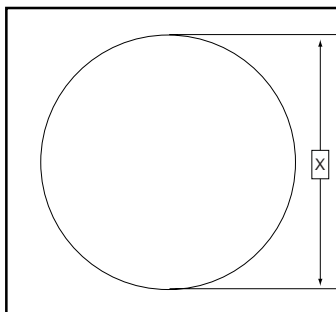
1. Inspect the elements for any tears or holes. Inspect the internal air bleed sock for tears and proper installation.

SECTION IV. TECHNICAL DATA.

A. FNS PLUS TANK ASSY.



Item No.	Part No.	Description
1	53003201	Gauge, pressure
2	98209800	High Flow Manual Air Relief Valve (HFMARV)
3	98201200	Hose and retainer clips for HFMARV (Optional accy.)
4	58001100	Nut, knurled brass
5	59000800	Tie Rod, 24 sq. ft. filter
5	59001500	Tie Rod, 36 sq. ft. filter
5	59002100	Tie Rod, 48 sq. ft. filter
5	59002700	Tie Rod, 60 sq. ft. filter
6	59023700	Manifold, top with air bleed
7	59023600	Internal air bleed assembly
8	98725800	Template, filter
9	59001100	Grid, lg. 12 in., 24 sq. ft. filter
9	59001800	Grid, lg. 18 in., 36 sq. ft. filter
9	59002400	Grid, lg. 24 in., 48 sq. ft. filter
9	59003000	Grid, lg. 30 in., 60 sq. ft. filter
10	59001000	Grid, sm. 12 in., 24 sq. ft. filter
10	59001700	Grid, sm. 18 in., 36 sq. ft. filter
10	59002300	Grid, sm. 24 in., 48 sq. ft. filter
10	59002900	Grid, sm. 30 in., 60 sq. ft. filter
11	59023800	Assy., element grid, complete, 24 sq. ft. filter
11	59023500	Assy., element grid, complete, 36 sq. ft. filter
11	59023400	Assy., element grid, complete, 48 sq. ft. filter
11	59023300	Assy., element grid, complete, 60 sq. ft. filter
12	98211400	Nut, 1/4-20, plated brass
13	59000500	Spider, grid locator
14	58001000	Nut, lock, hex, nylon
15	39010200	O-ring, tank clamp (.470 O.D.)
15a	071439	O-ring, tank clamp (.500 O.D.)
16	190003	Clamp, kit
17	195610	Washer, small I.D.
17a	195611	Washer, large I.D.
18	194997	Nut, machined
18a	195612	Spring
19	190034	Assy., standpipe, outlet, 24 sq. ft. filter
19	190035	Assy., standpipe, outlet, 36 sq. ft. filter
19	190036	Assy., standpipe, outlet, 48 sq. ft. filter
19	190037	Assy., standpipe, outlet, 60 sq. ft. filter
20	86006900	O-ring, bulkhead
21	271096	Bulkhead union (set)
22	190043	Assembly, pipe, inlet
23	51005000	O-ring for drain plug
24	86202000	Plug, 1 1/2 in. drain, with O-ring
25	170015	Tank, bottom, assy., 24 sq. ft. filter
25	170016	Tank, bottom, assy., 36 sq. ft. filter
25	170017	Tank, bottom, assy., 48 sq. ft. filter
25	170018	Tank, bottom, assy., 60 sq. ft. filter
26	170019	Lid, assy., 24 sq. ft. filter
26	170020	Lid, assy., 36 sq. ft. filter
26	170021	Lid, assy., 48 sq. ft. filter
26	170022	Lid, assy., 60 sq. ft. filter
27	192320	O-ring, bulkhead
28	59000600	O-ring 2-137 Buna N 70SH
29	194801	Bulkhead, 2 in.
30	195339	Ring, back-up

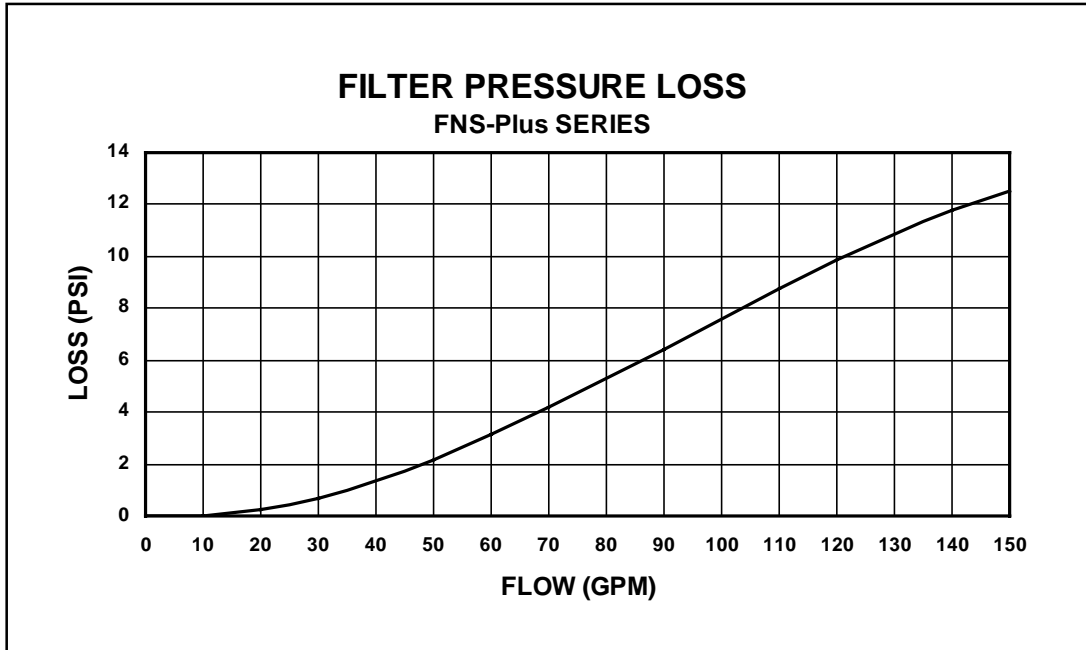


To assure ordering of **proper o-ring**, please check the cross section of your o-ring and order according to the following dimensions:

Part No.	"X"
39010200	.470
071439	.500

SECTION IV. TECHNICAL DATA (cont'd.)

B. FNS PLUS FLOW RATES



FNS[®] Plus Vertical Grid Filters						
This flow rate is based of 2.5 GPM per sq. ft. of filter area.						
P/N	sq.ft.	Height	GPM	GPH	6 hour	8 hour
180006	24	37"	60	3,600	21,600	28,800
180007	36	43"	90	5,400	32,400	43,200
180008	48	49"	120	7,200	43,200	57,600
180009	60	55"	150	9,000	54,000	72,000



SAVE THESE INSTRUCTIONS.

Pentair Pool Products

1620 Hawkins Ave., Sanford, NC 27330 • (919) 774-4151

10951 West Los Angeles Ave., Moorpark, CA 93021 • (805) 523-2400

