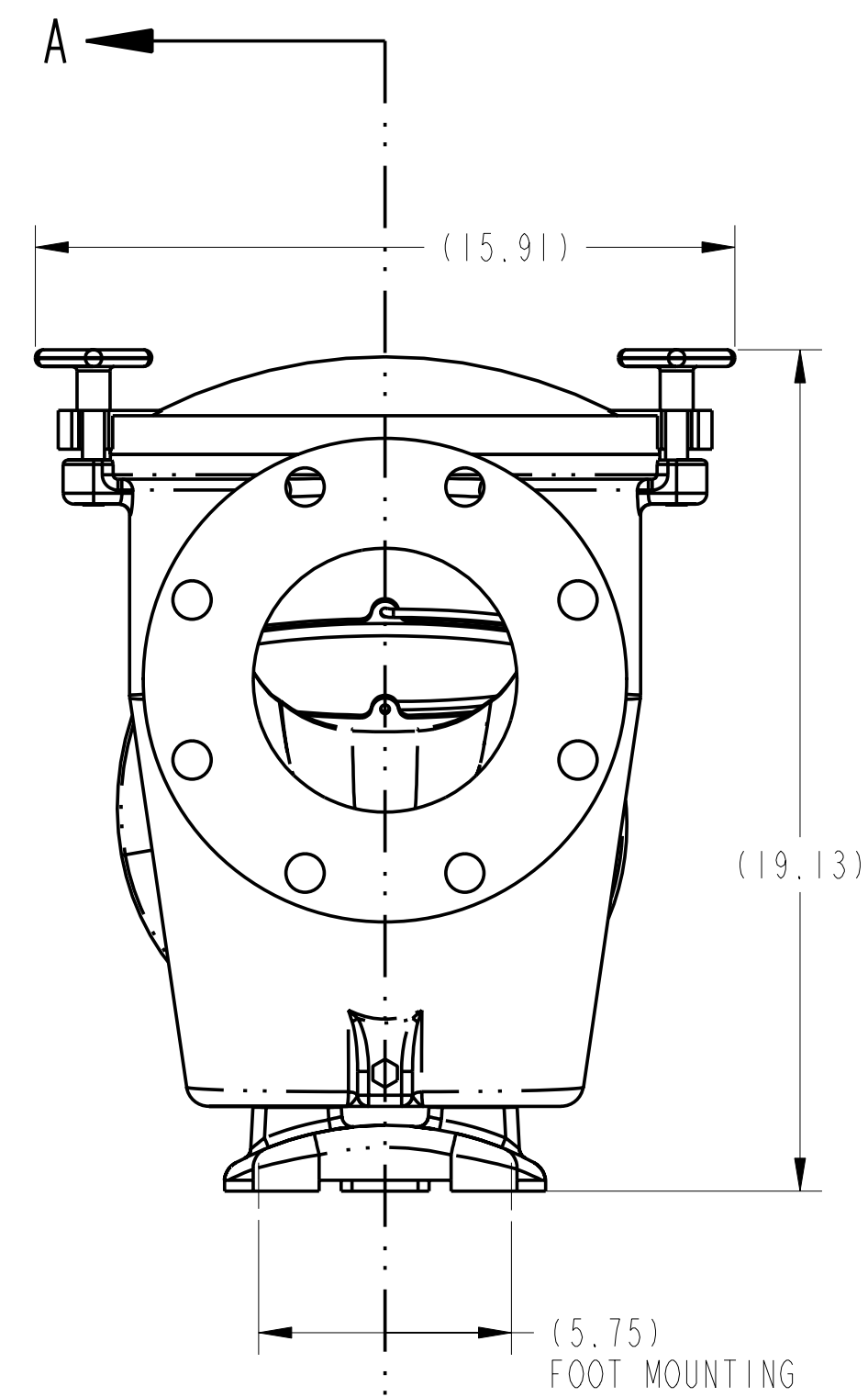


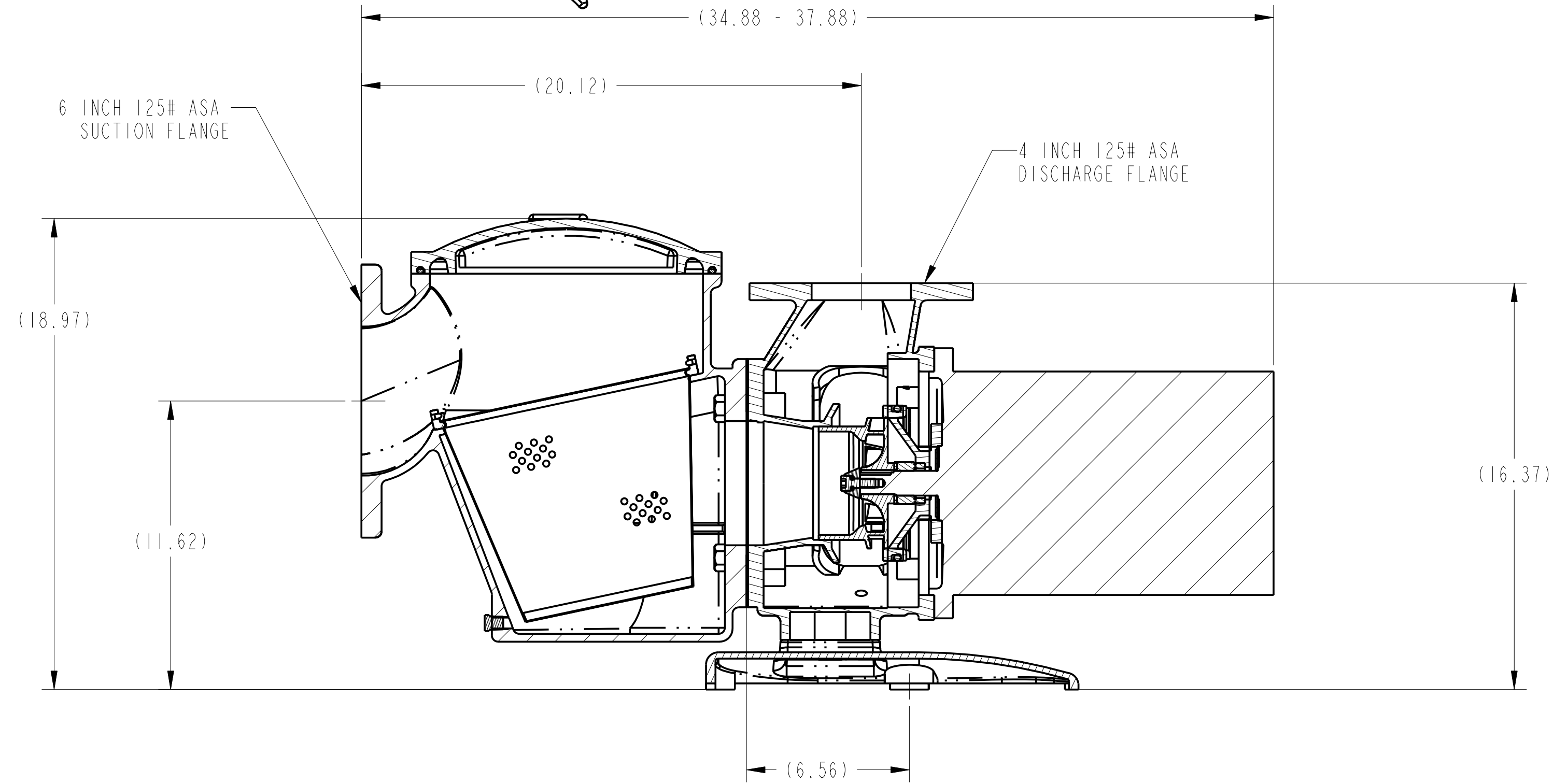
THE INFORMATION CONTAINED HEREON IS THE PROPERTY OF PENTAIR POOL PRODUCTS. NO PORTION OF THIS DATA SHALL BE RELEASED, DISCLOSED, USED, OR DUPLICATED FOR USE IN PROCUREMENT OR MANUFACTURING WITHOUT SPECIFIC WRITTEN PERMISSION FROM PENTAIR POOL PRODUCTS.

COMPUTER GENERATED DOCUMENT
MANUAL CHANGES NOT ALLOWED.

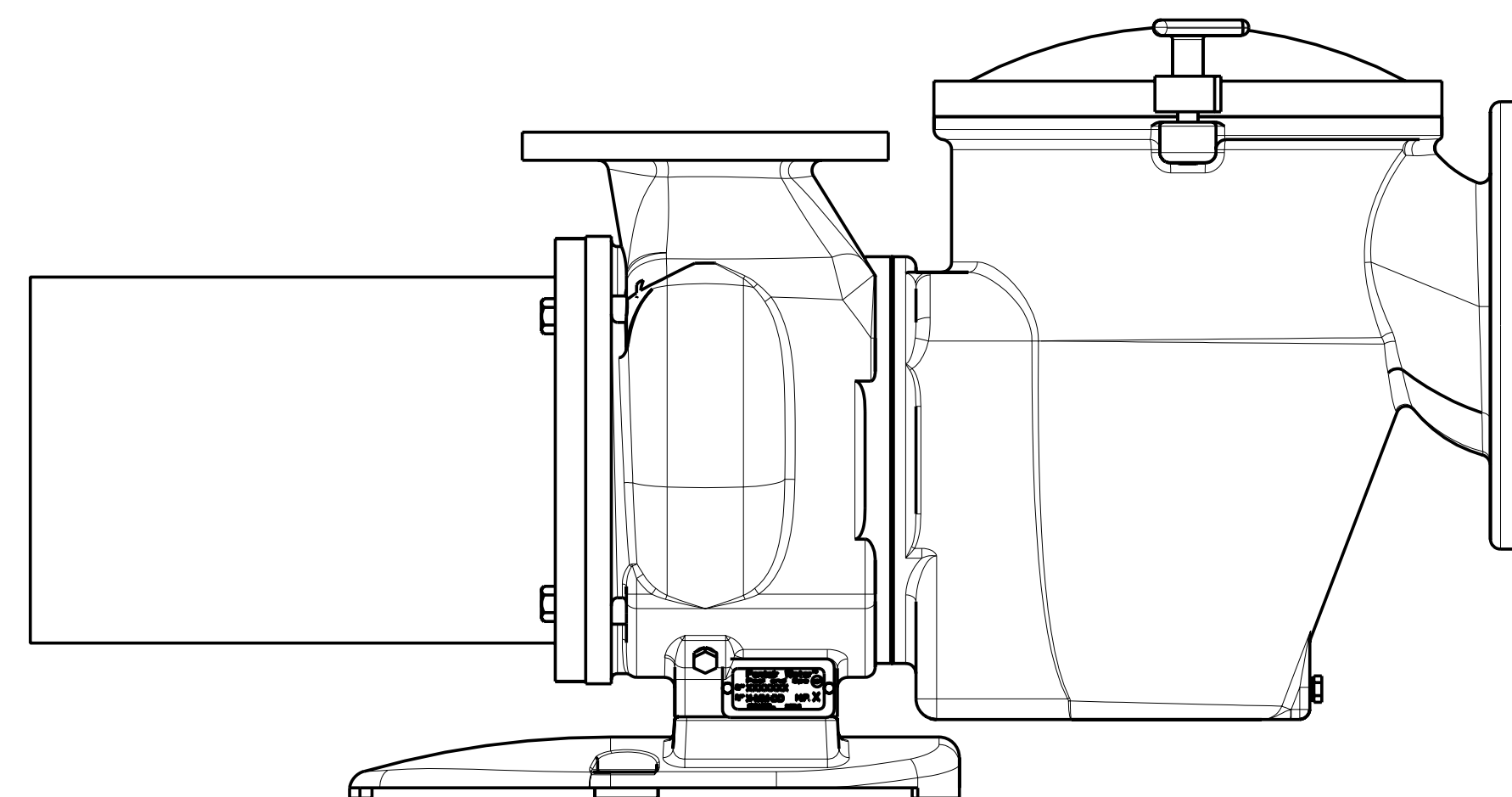
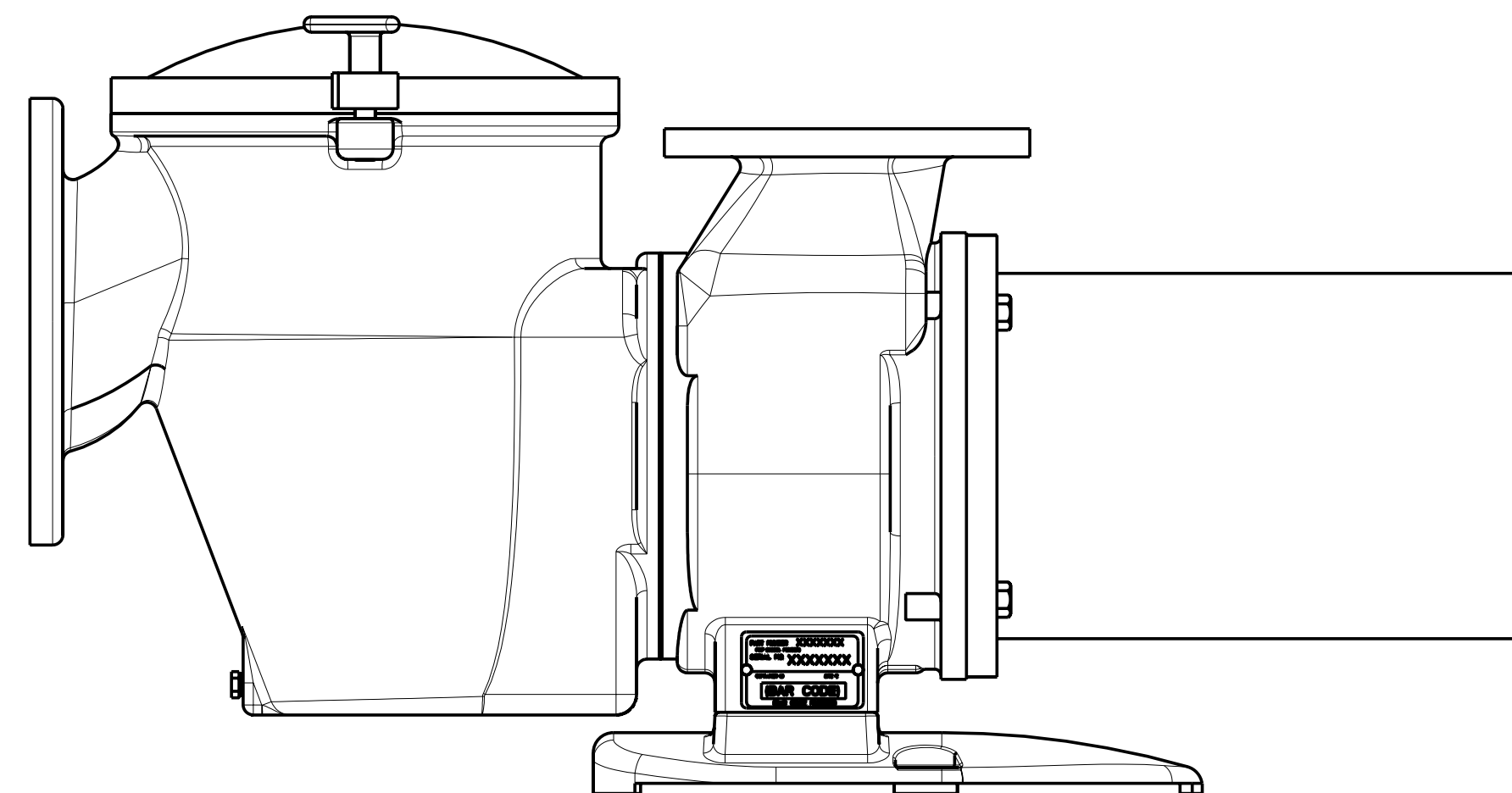


6 INCH 125# ASA
SUCTION FLANGE

4 INCH 125# ASA
DISCHARGE FLANGE



SECTION A-A



C SERIES COMMERCIAL PUMP ARCHITECTURAL DRAWING

		Pentair Pool Products 1620 Hawkins Ave. Sanford, N.C. 27330	
SIZE D	DWG NO. 011601	PART NO. TAB 011601TAB	REV. B
SCALE 0.250	RLSE DATE	SHEET 3 of 3	FILE NO.