

## **EMERGENCY SHUT-OFF / POWER DISCONNECT**

**Model: PA600**

For indoor and outdoor use, suitable for Pool/Spa equipment control

ELECTRICAL RATING: 1HP-120VAC, 3HP-240VAC, 20A-120/240VAC 840 Watt Tungsten

Double Pole Single Throw

### **IMPORTANT SAFETY INSTRUCTIONS**

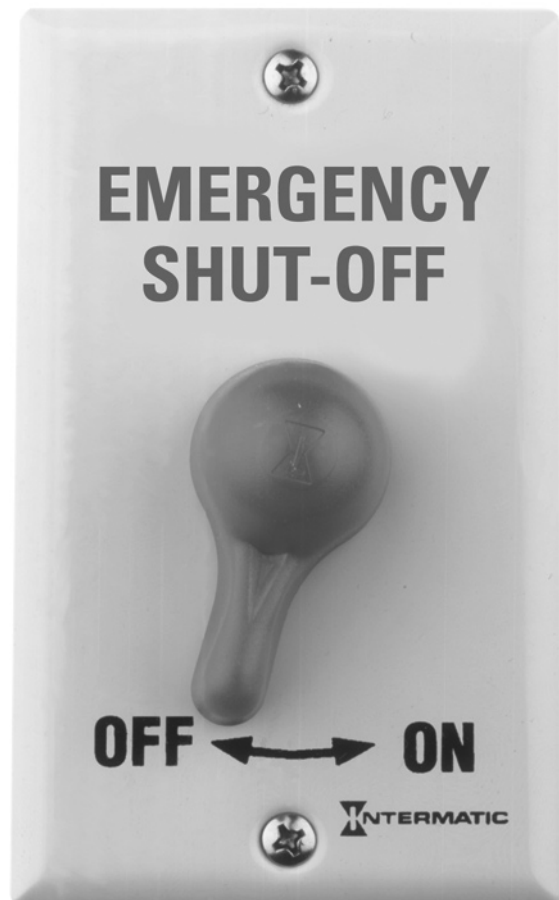
1. This Control must be installed by a qualified electrician, according to National and Local Electrical Codes.
2. USE COPPER CONDUCTORS ONLY. If applicable, install this Control not less than 5 feet (U.S.) 3 meters (Canada) from inside edge of pool or spa, in line of sight from pool or spa.
3. Do not exceed the maximum ratings of individual components, wiring devices and current carrying capacity of conductors.
4. For grounding of the installation, refer to section 250 and 680 of the National Electrical Code.
5. Always disconnect electricity at main panel before servicing this Control.

**READ, FOLLOW AND SAVE THIS INSTRUCTION MANUAL**

### **GENERAL INFORMATION**

This Switch is intended for disconnecting electrical equipment from its power source quickly and safely, in the case of emergency. Any person, even if not familiar with the installation or safety procedures, can shutdown the connected equipment by simply moving the large red lever to the OFF position, clearly indicated on the face of the switch.

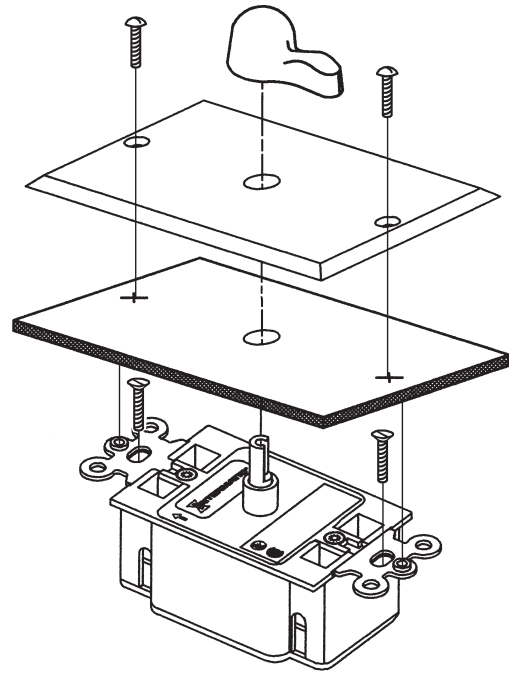
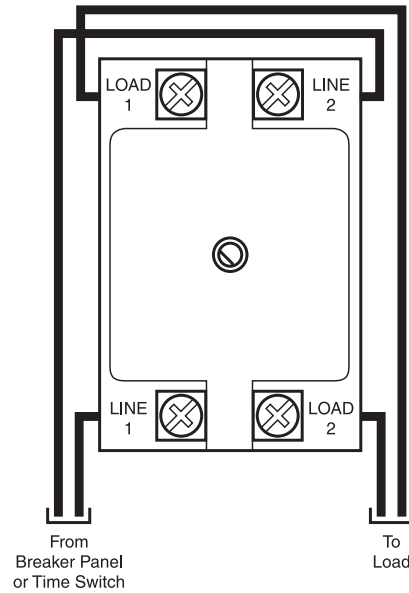
The Switch is an enclosed construction, double insulated switching device, suitable for indoor or outdoor use and conforms to NEC article 680-12 & 680-38 requirements for disconnects and emergency shut-off. It is ideal for new construction, as well as for retrofitting existing installations, in order to comply with the latest safety requirements of the code. It can be used to disconnect any 120 or 240 volt resistive (R), tungsten (T) or motor (HP) loads up to its rated capacity. It fits in a single gang junction box and features pressure terminals for convenient and secure field connections



# INSTALLATION

This Switch is designed to be installed in a standard flush or over the surface indoor/outdoor single gang 1½ inch or deeper junction box. The method of installation, as well as the location, must conform to the National and Local Electrical and Building Codes. If not sure, please consult your local inspection authorities prior to installation.

1. Select the proper location for the switch. If it is used for pool/spa pump disconnect, it must be in line of sight from the pool or spa and at least 5 feet (U.S.) 3 meters (Canada) away from inside edge of pool or spa.
2. Prepare the necessary conduit runs as required by the installation layout and pull in the required conductors.
3. Make wire connections to the Switch, see diagram on the right. Strip wires 3/8 inch and insert into holes on sides of switch. Make sure the connections are tight.
4. Fasten switch to junction box tabs using (2) 3/4 inch long flathead screws supplied with Switch.
5. Place gasket over junction box and install cover plate using (2) 3/8 inch long oval-head screws.
6. Turn ON power at breaker panel and test installation.



## WARRANTY

If within one (1) year from the date of installation, this product fails due to a defect in material or workmanship, Intermatic Incorporated will repair or replace it free of charge.

The warranty does not cover labor for removal or reinstallation and does not apply to: (a) damage caused by accident abuse, mishandling, or dropping; (b) a unit which has been subject to unauthorized repair; (c) units not used in accordance with directions; (d) damages exceeding the cost of the product. Some states do not allow a limitation of damages so the foregoing warranty may not apply to you. This warranty gives you specific legal rights and you may also have other rights which vary from state to state.

This warranty service is available, if the defective product or its defective component is returned with proof of purchase and date of installation, either (a) to the dealer from whom the unit was purchased or (b) by shipping prepaid to Intermatic Incorporated/After Sales Service, 7777 Winn Rd., Spring Grove, IL 60081-9698/815-675-7000 <http://www.intermatic.com>

Because of our commitment to continuing research and improvements, Intermatic Incorporated reserves the right to make changes, without notice, in the specifications and material contained herein and shall not be responsible for any damages, direct or consequential, caused by reliance on the material presented.

**INTERMATIC INCORPORATED**, SPRING GROVE, IL 60081-9698  
<http://www.intermatic.com>