

# ASSEMBLE Top Seat, Vertical and Cover

## 10 FRAME

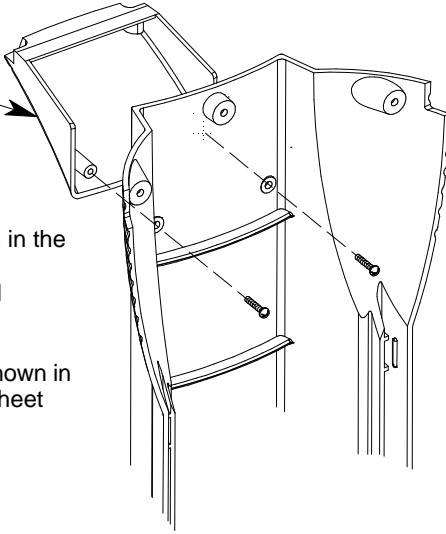
*For 54" depth pools only.*

### a) PRE-ASSEMBLING VERTICALS

P.No.2492  
10in Seat Cover Bracket

Put cover bracket as shown in the figure.  
Tighten up #12 Sheet Metal Screw.

Put Resin Upper Joint as shown in the Figure, tighten up #12 Sheet Metal Screws.

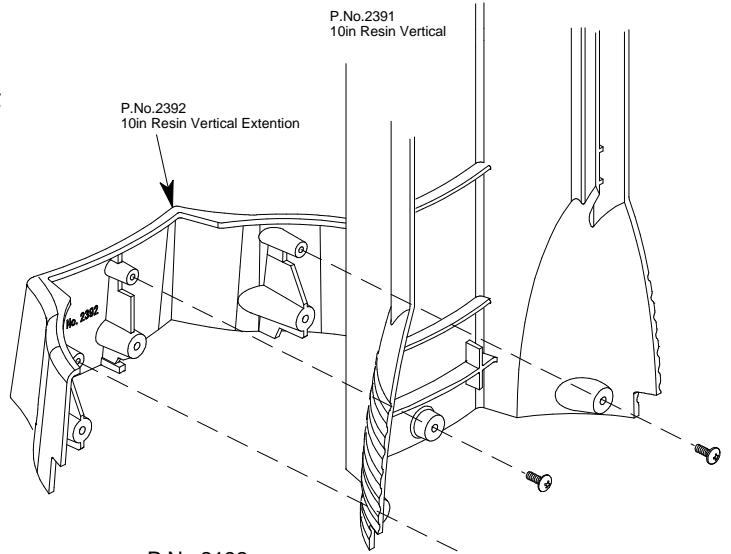


### b) PRE-ASSEMBLING Vertical Extension

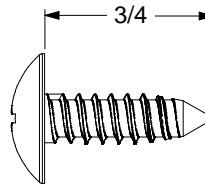
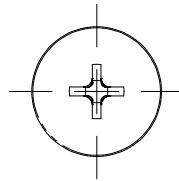
Put 10in Resin Vertical Extension  
use three #12 Sheet Metal Screw .

P.No.2391  
10in Resin Vertical

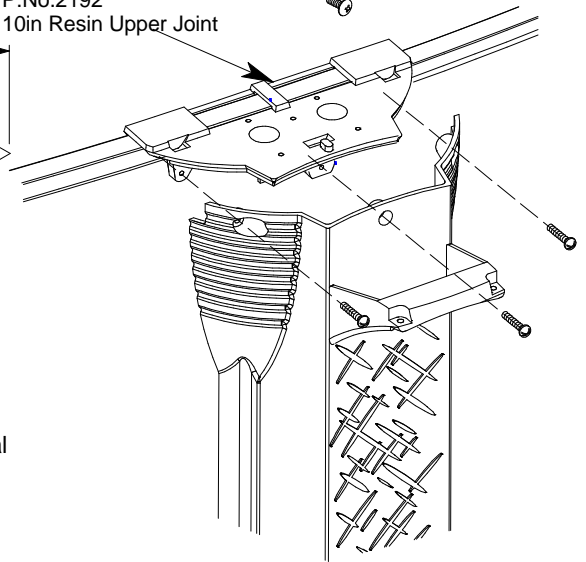
P.No.2392  
10in Resin Vertical Extension



P.No.2192  
10in Resin Upper Joint



P.No.0341  
#12 Sheet Metal Screw



### c) INSTALLING VERTICALS

Hook Assembled Resin Upper Joint over the top rail. Secure the bottom of vertical to Resin Lower Joint by #12 Sheet Metal Screws, Continue installing verticals in this manner All around the pool.

### d) INSTALLING TOP SEATS

Place each of the top seat over the upper joints and secure with 1 5mmx16 Sheet Metal Screw.

Install all of top seat in this way around entire pool.  
Top seat are installed between verticals.

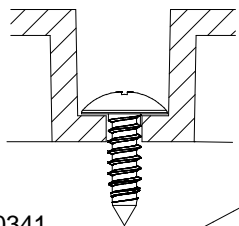
Each end of top seat rest on upper joint and attached to it.

It may be necessary to move the complete verticals slightly to left or right to accommodate the top seat.

Do this carefully as not disturb the earth mound, Check all screws to be sure they are tight.

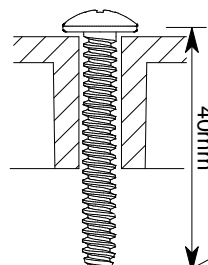
For 12' round and all 10' and 12' width ovals use different screws for right and left end of the top seat as shown figure.  
End A use shorter screws. End B use longer screws.

END ; A

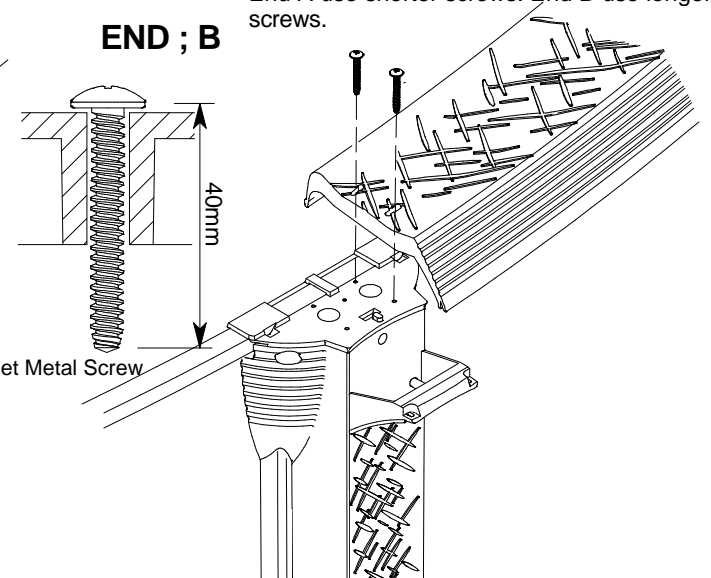
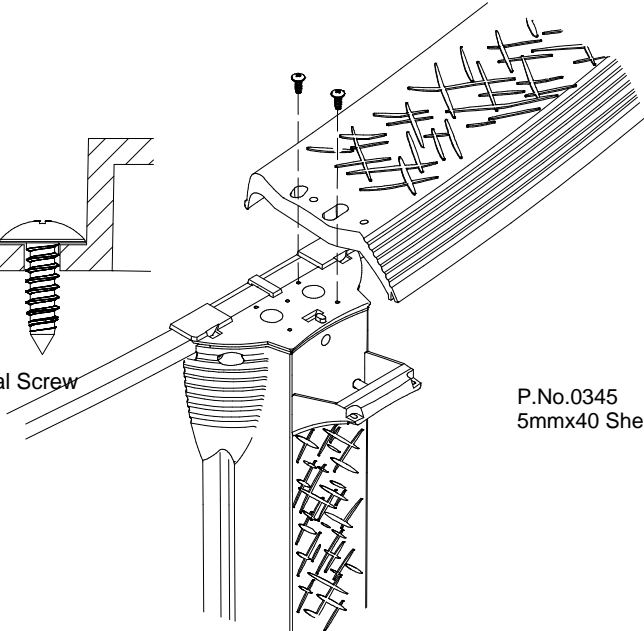


P.No.0341  
#12 Sheet Metal Screw

END ; B



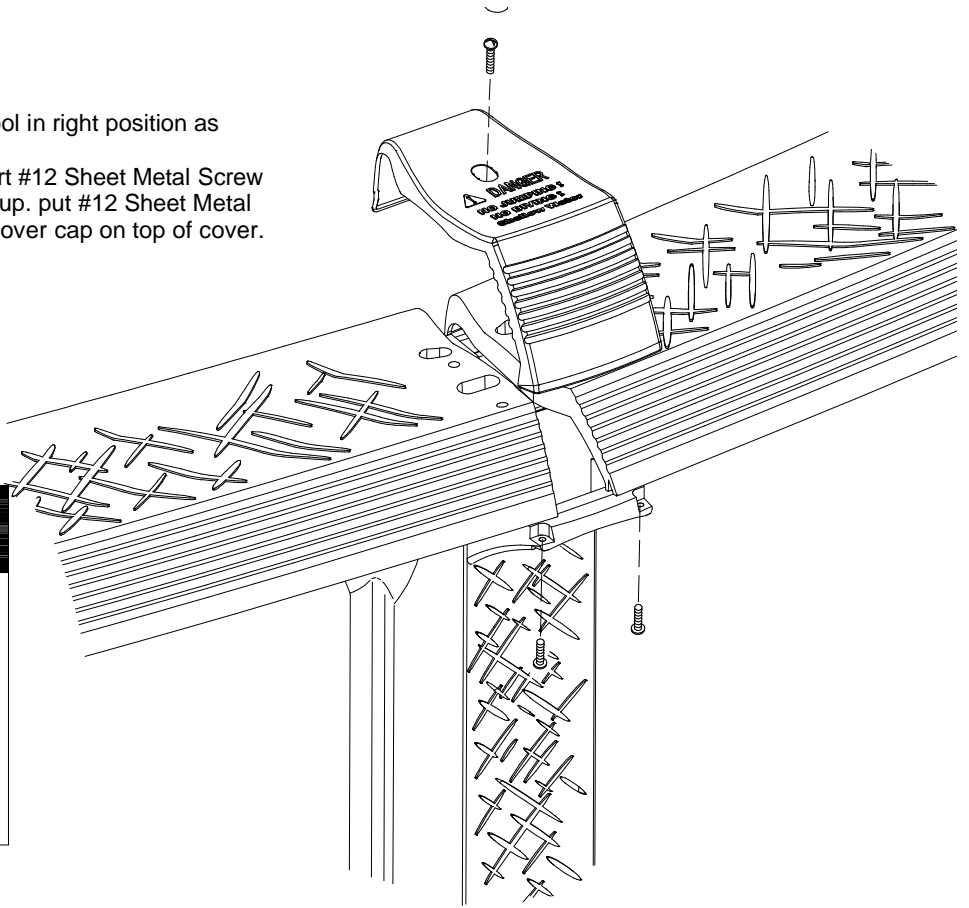
P.No.0345  
5mmx40 Sheet Metal Screw



### d) INSTALLING SEAT COVERS

Attach seat cover by placing it from inside of pool in right position as shown in the figure.

put seat cover and cover bracket together, Insert #12 Sheet Metal Screw from cover bracket to seat cover, and tighten it up. put #12 Sheet Metal Screw to seat cover and tighten it up. put seat cover cap on top of cover.



**! DANGER**

ALL THESE POOLS ARE DESIGNED FOR SWIMMING ONLY. THEY MUST NOT BE USED FOR JUMPING OR DIVING.



**DO NOT  
JUMP**

**DO NOT  
DIVE**



**PERMANET INJURY OR DEATH CAN RESULT.**

### FOR OVAL POOL ONLY

#### e) INSTALLING OVAL SIDE TOP SEATS AND SIDE SEAT COVERS.

use #12 Sheet Metal Screw to Install oval side top seats on top of Resin side upper joint P.No.3177. then attach side seat cover by placing it from inside of pool in right position as shown in the figure.

Put #12 Sheet Metal Screw to side seat cover and tighten it up. put seat cover cap on top of side seat cover.

10' and 12'width ovals use different screws for right and left end of the top seat.

Please refer section. "d) Installing top seat "

End A use P.No.0341 #12 Sheet Metal Screw

End B use P.No.0345 5mmx40 sheet metal screw.

