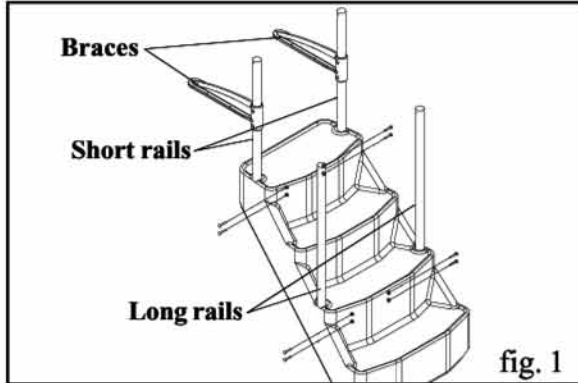
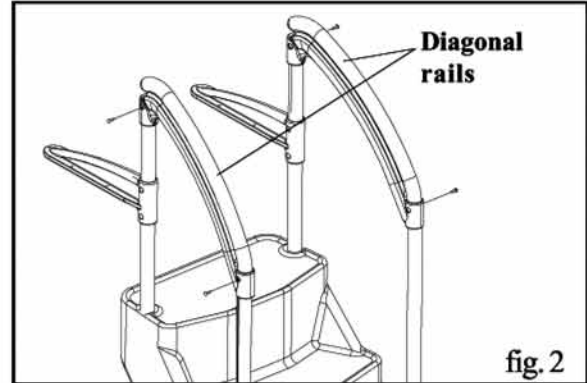


The Royal Entrance (#5602) or Aquad'ô...Plus (#5302) Installation Procedures

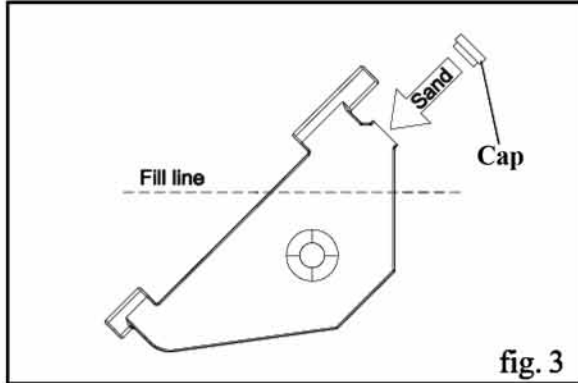
Note: Number in () refers to quantity to be used.



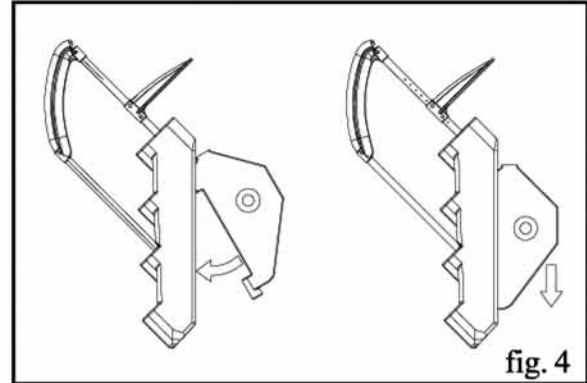
1. Insert the rails into the step (short rails on top) and align with the predrilled holes. Attach using the 3" bolts (8), washers (16), and nuts (8). Slide the braces over the short rails and leave unattached (Fig. 1).



2. Insert the diagonal rails onto the long and short rails. Attach using the 10 x 3/4" screws (4) (Fig.2).



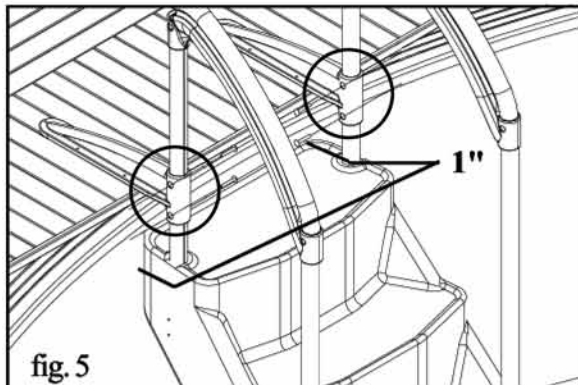
3. Pour sand* (approx. 50 lbs.) into the fence until it is 3/4 full (Fig. 3). Install the cap properly with the 3/4" screw.



4. Slide the fence into the step and push it towards the foot of the step (Fig. 4).



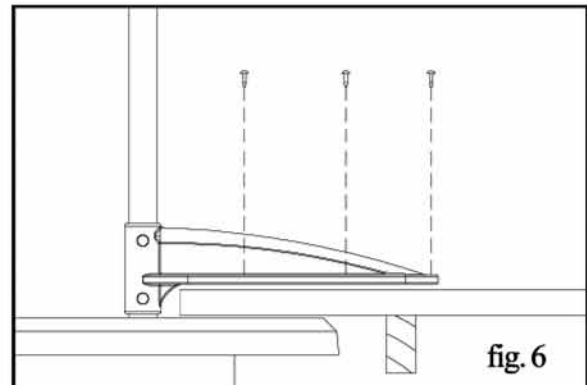
CAUTION: The safety fence is not supposed to touch the liner.



5. Lower the step into the water. Move it to its permanent location and level it horizontally.

IMPORTANT: Leave a minimum of 1" of space between the pool wall and the step.

6. Lower the braces until they rest on the deck. Attach using the 10 x 3/4" screws (8) (Fig. 5). See the circled section (Fig. 5)



7. Attach the braces to the deck using the 1-3/4" screws (10). If the deck is above the top rail, attach the braces directly to the deck (Fig. 6).

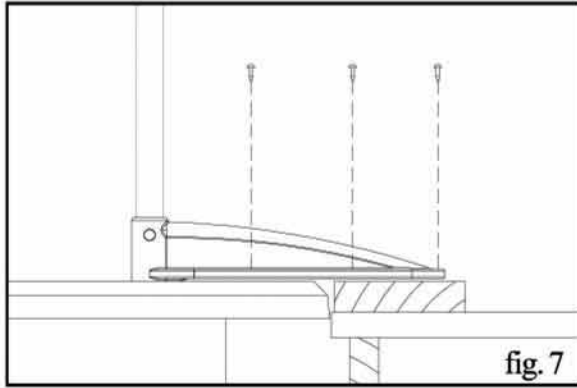


fig. 7

8. If the deck is lower than the pool, the braces should be shimmed* to attain the same level as the pool (Fig. 7). Ensure the shim is properly secured to the deck.

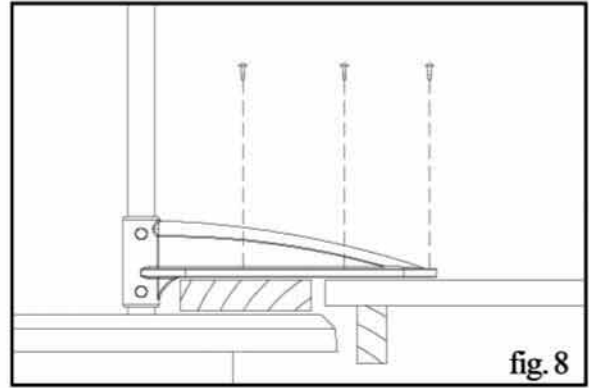


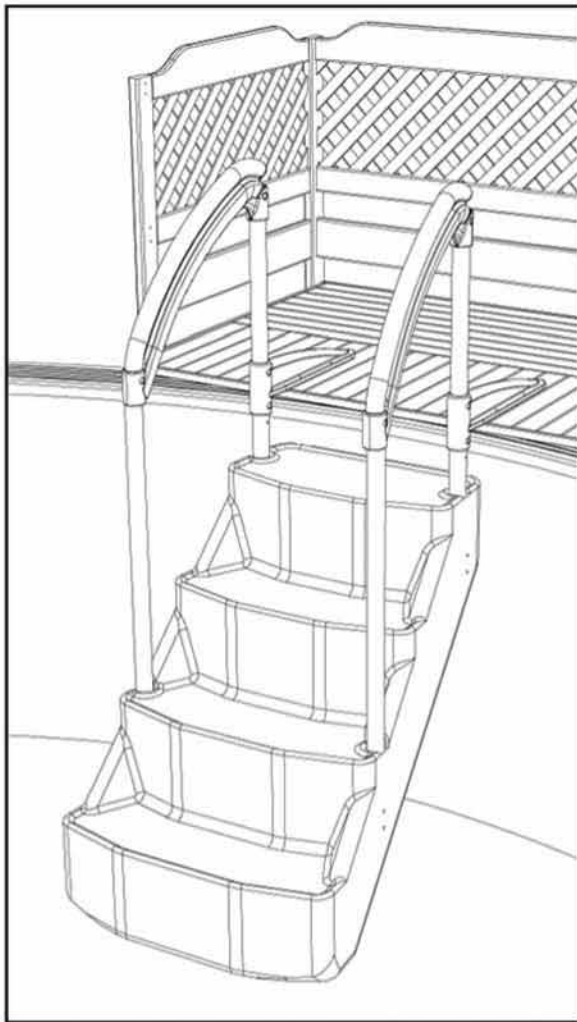
fig. 8

9. If the pool is lower than the deck, the braces should be shimmed* to attain the same level as the deck (Fig. 8). Ensure the shim is properly secured to the top rail.

* Not included with the step.

Caution:

- Locate the step on a solid base.
- Do not jump or dive from the step.
- The step should be removed from the water when temperatures drop below freezing.
- Never lift the step by its rails.
- Use battery-operated tools to avoid electric shock near water.
- Ensure no corrosive materials are added to the step.
- The step shall be installed per manufacturer's instructions.
- File down all stripped or sharp edges of hardware to avoid injury.
- The manufacturer is not responsible for damages or injuries caused by improper installation or use.



STEP MAINTENANCE

Two easy steps:

- 1-When adding water in your pool, insert the nozzle of your hose in the side holes of the step to allow a good water circulation.
- 2-When treating your water do not forget to treat the water inside your step.

