

THE WEDDING CAKE II

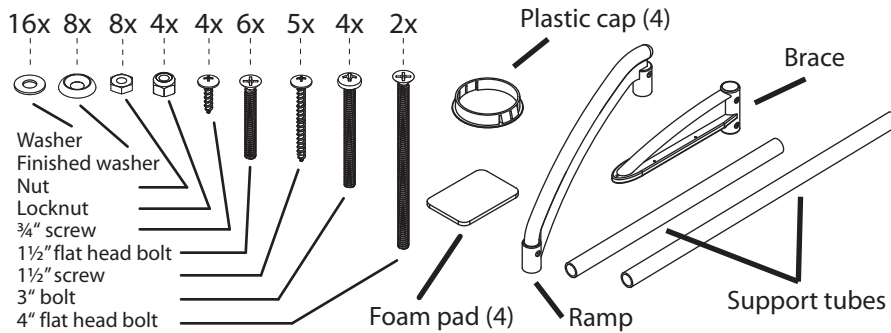


Installation

5005-an-05jan2006

www.lumi-o.com

Material included:



Helpful hint: to ease the installation of rails and bolts, use a screwdriver to line up holes.

Required tools:

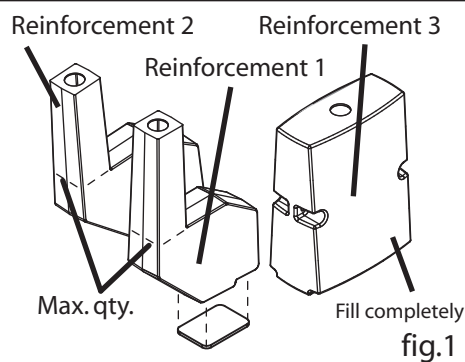
- Automatic screwdriver
- Pair of grip
- Cisor

Not included:

- Pea gravel
- Note: You may need approximately 150 lbs of pea gravel.
- Shim

Caution: File off all stripped or sharp edges before assembly to avoid injuries.

Step 1



1- Install a protective foam pad under each reinforcement part, 2 on the third one. Fill the 3 reinforcement part of pea gravel* following the quantities shown on fig.1 and add water to remove air. Install the plastic caps. (fig.1)

2- Lay the step and fix the reinforcement 1 and 2 at the appropriate places with the 1 1/2" flat head bolts (6), washers (6), finished washers (6) and nuts (6). Fix the reinforcement 3 with 4" flat head bolts (2), washers (2), finished washers (2) and nuts (2). (fig.2).

Step 2

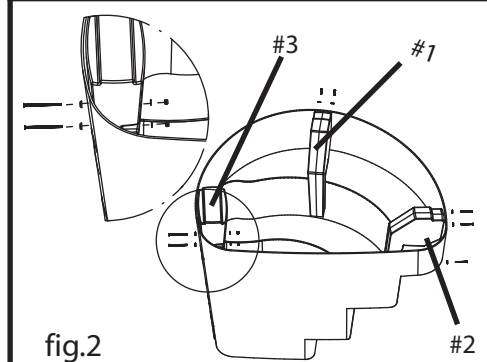
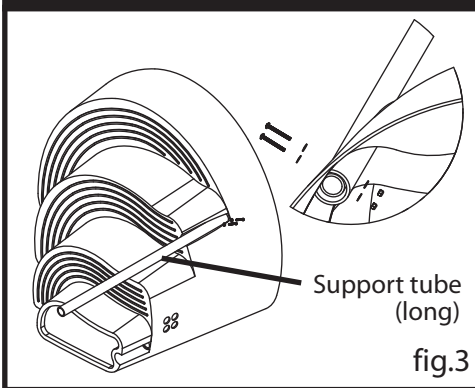


fig.2

Step 3



3- Lay the step on the flat side and insert the longer support tube in the opening at the bottom of the step and fix it with the 3" bolts (2), washers (4) and locknuts (2) included and raise up the step (fig.3).

Step 4

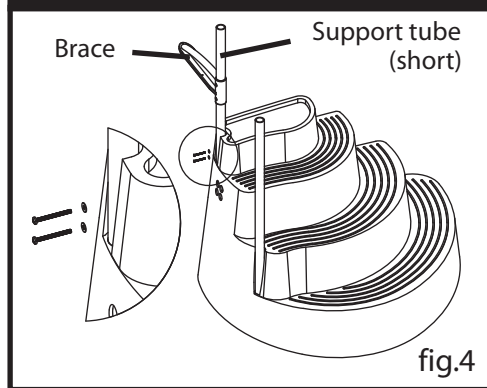
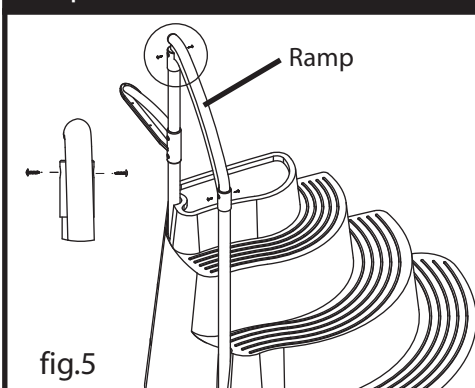


fig.4

Step 5



4- Place the shorter support tube in the opening at the top of the step. Line up the holes and fix the support tube with the 3" bolts (2), washers (4), and locknuts (2) included using the opening in the back. Slide the brace on the upper support tube (fig.4).

5- Insert the ramp on both support tubes. Fix the ramp to the support tubes with 3/4" screws (4). (fig.5).

6- Cut the nylon strap placed to retain the ballast unit. Fill completely the ballast unit with pea gravel*, seal with the plastic cap. (fig.6).

Step 6

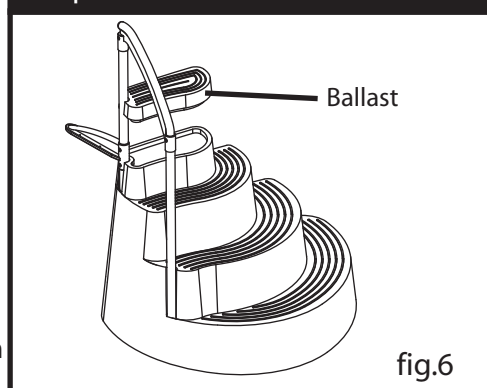


fig.6

Step 7

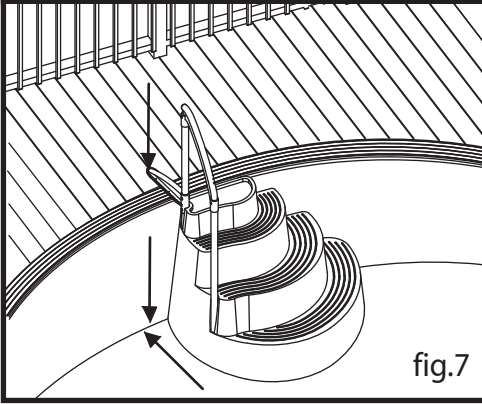


fig.7

7- Move the step into the water and allow the air to escape. Place the step against the pool wall and ensure that the step touches the ground solidly. **Leave 1" gap between the pool wall and the back of the step.** Lower the brace until its rests on the deck. Put the ballast unit on top of the step (fig.7).

Step 8

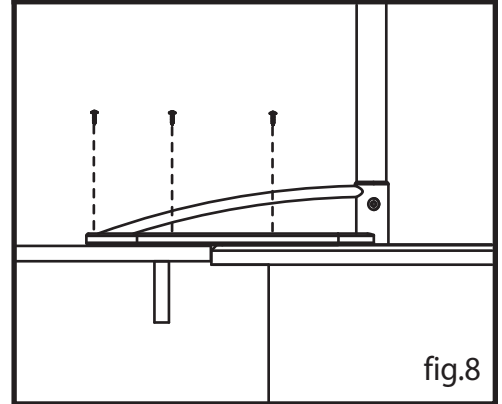


fig.8

8- Attach the brace to the deck using the 1½" (5) screws. If the deck is above the toprail, attach the brace directly to the deck (fig.8).

Step 9

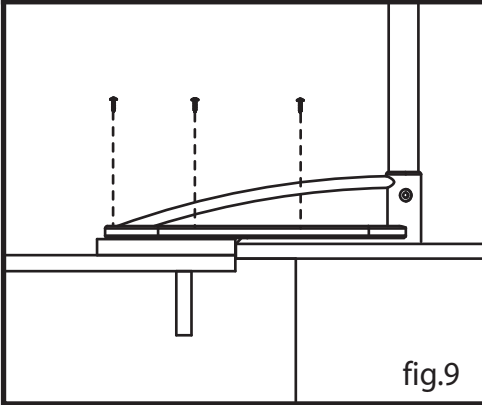


fig.9

9- If the deck is lower than the pool, the brace should be shimmed* to attain the same level as the pool (fig.9). Ensure the shim is properly secured to the deck.

10- If the pool is lower than the deck, the brace should be shimmed* to attain the same level as the deck. Ensure the shim is properly secured to the toprail (fig.10).

Step 10

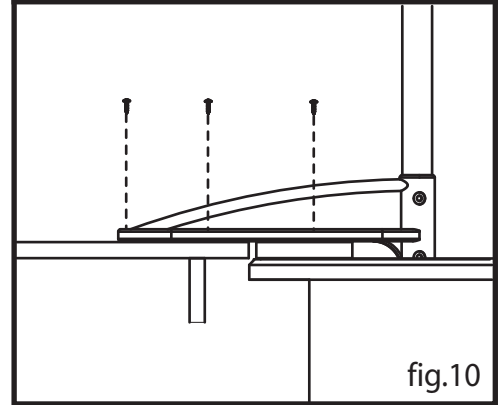


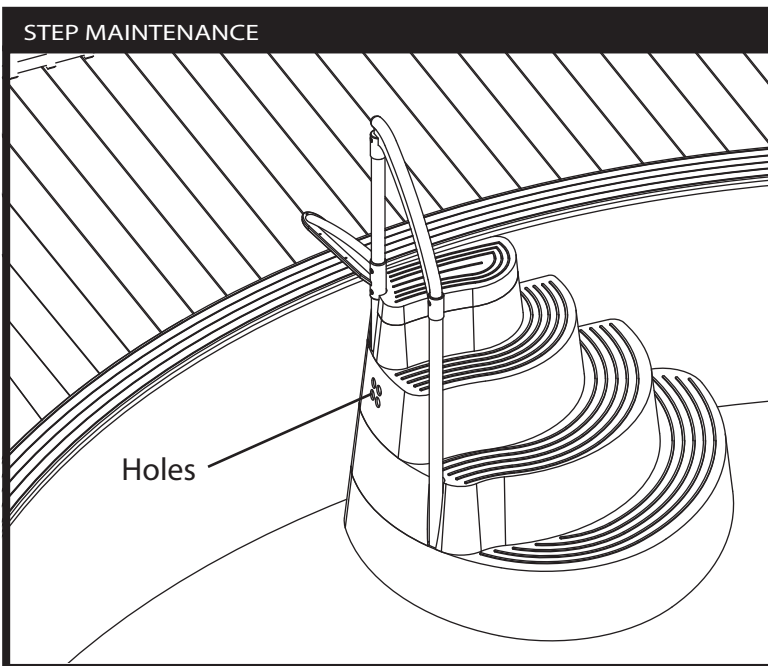
fig.10



Remember:
Nothing replaces parental supervision
Watch children at all time.

STEP MAINTENANCE

- 1- When adding water in your pool, insert the nozzle of your hose in the side holes of the step to allow a good water circulation throughout the season.
- 2- When treating your water do not forget to treat the water inside your step.



Caution

- Install the step on a solid base.
- Do not jump or dive from the step.
- The step should be removed from the water when temperatures drop below freezing.
- Never lift the step by its rail.
- Use battery-operated tools to avoid electric shock near water.
- Ensure no corrosive materials are added to the step.
- The step shall be installed per manufacturer's instructions.
- The manufacturer is not responsible for damages or injuries caused by improper installation or use.

This model require a maximum inclination of the bottom of the swimming pool of approximately 2 degrees.

*Not included with the step.



5005-an-05jan2006