

4

3

2

1

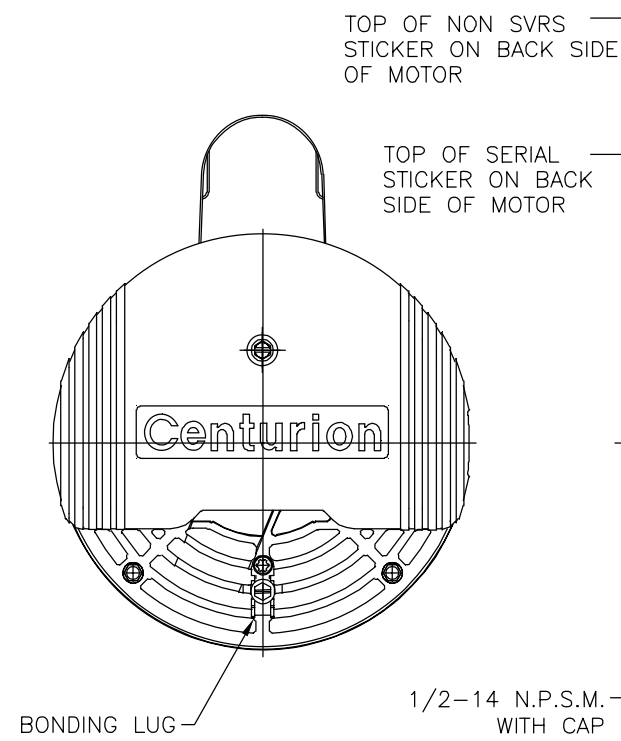
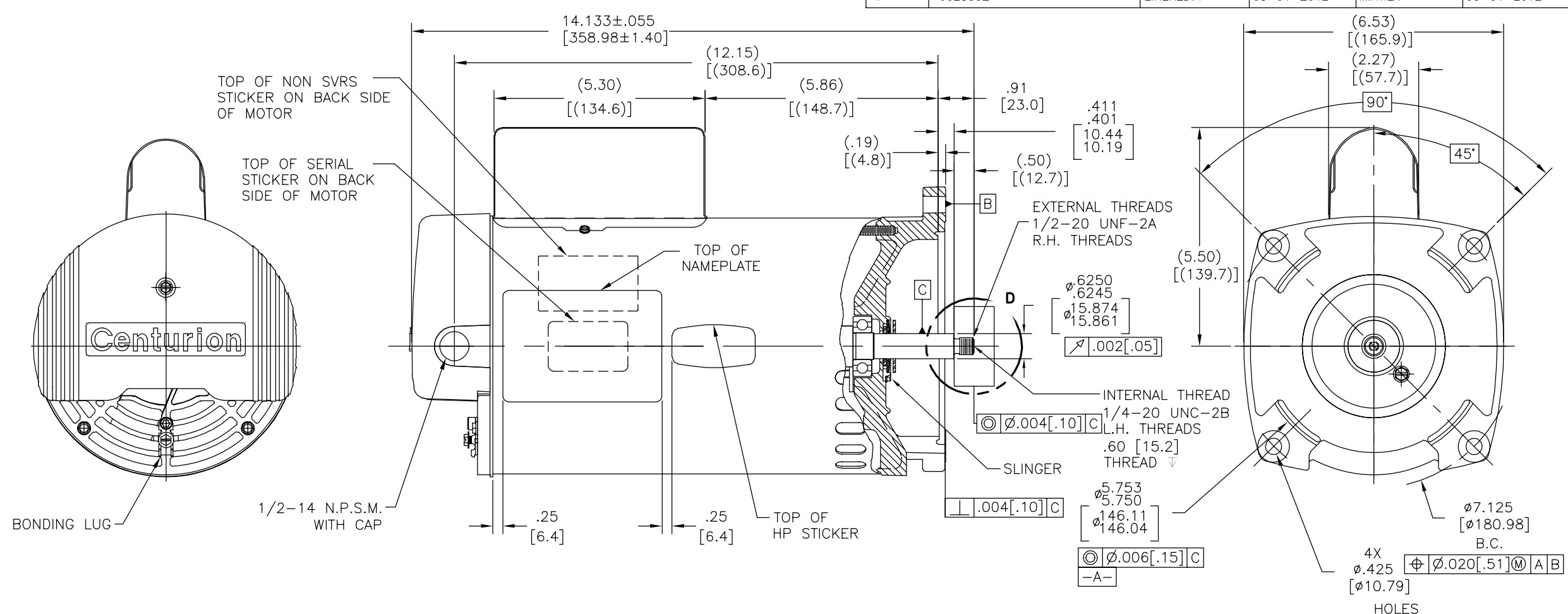
REV	ECO	REV BY	DATE	APPD	DATE
F	0025552	L.HEREDIA	05-01-2012	M.AVILA	05-01-2012

D

C

D

C

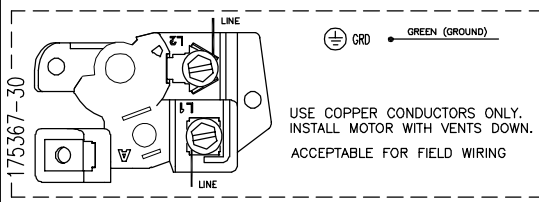


NAMEPLATE DATA

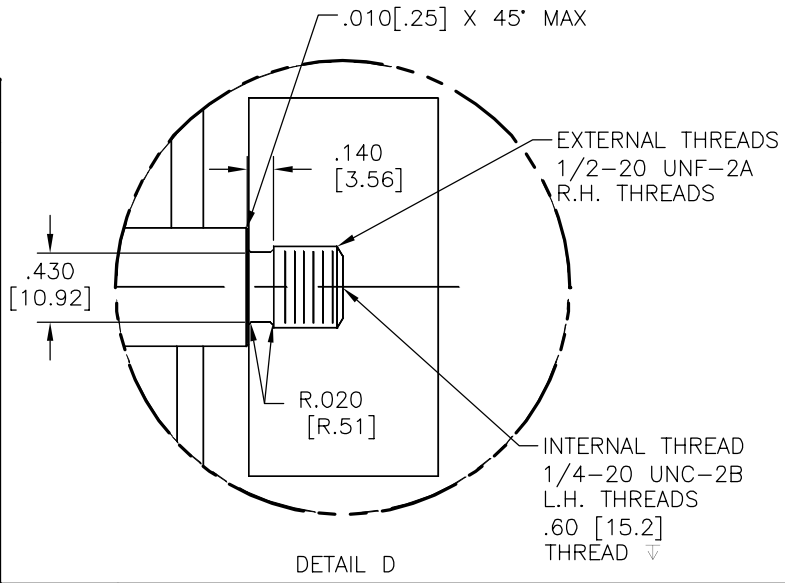
EXTERNAL CONNECTION DIAGRAM

NOTES

MODEL: 196338
 CUST PN: HSQ1202
 HP: 2.0 SF: 1.35
 ROT: CCWPE
 RPM: 3450
 TYPE: CP CODE: H
 FORM: FRAME: Y 56 Y
 VOLTS: 208-230
 AMPS:
 MAX AMPS: 12.0-11.0
 SF AMPS:
 PH: 1 HZ: 60
 INS: F AMB: 60°C
 DUTY: CONT
 ENCLOSURE: ODP
 THERMALLY PROTECTED



- FOR THREADED SHAFT EXT. ECCENTRICITY OF THREADED PORTION OF SHAFT IS HELD WITHIN .004[.10] TOTAL GAGE READING WITH THE INDICATOR ON O.D. OF GROUND RING GAGE AS SHOWN. THE GAGE BEING STATIONARY WITH RESPECT TO THE ROTOR.
- END PLAY NOT TO EXCEED .010[.25] MEASURED WITH NO THRUST
- ALL DIMENSIONS SHOWN IN PARENTHESIS ARE REFERENCE DIMENSIONS.
- FINISH PAINT TO BE BLACK.
- GREEN GROUND SCREW LOCATED UNDER COVER TO BE INSTALLED WITH A .09[2.3] MIN. GAP FOR EASY CONNECTION.



A

A

PERFORMANCE CURVE	APPROVED SAMPLE		
101128101	0701132		
UL COMPONENT	CSA		
FILE#	CCN#	FILE#	GUIDE#
E14663	PRGY2	LR642	4211-01
CUSTOMER	DISTRIBUTION		

GEOMETRIC CHARACTERISTICS & SYMBOLS
 □ FLATNESS
 - STRAIGHTNESS
 < ANGLARITY
 ⊥ PERPENDICULARITY (SQUARENESS)
 // PARALLELISM
 ○ ROUNDNESS (CIRCULARITY)
 ∅ CYLINDRICITY
 △ PROFILE OF ANY SURFACE
 ∩ PROFILE OF ANY LINE
 ↑ RUNOUT
 ⊕ TRUE POSITION
 ⊙ CONCENTRICITY
 = SYMMETRY
 ASME Y14.5M 1994

UNLESS OTHERWISE SPECIFIED DIM. TOLERANCES ARE AS FOLLOWS:
 INCH X XX XXX XXXX
 ±.1 ±.02 ±.005 ±.0005
 mm ±0.5 ±0.13 ±0.013
 ANG. ±.50 DEG
 REMOVE BURRS & BREAK SHARP EDGES:
 INCH .003-.015 mm 0.1-0.4
 CORNER FILLETS TO:
 INCH .020 mm 0.5
 MACHINE SURFACES:
 INCH 125 mm 3.2
 METRIC DIMS. SHOWN IN [BRACKETS]

DR BY: JHENRY 06-26-2008
 APPD:
 THIRD ANGLE PROJECTION
 EDS DATE 11-11-2011
 FORMAT REV G
 CONFIDENTIAL: THIS DRAWING AND ITS INFORMATION ARE THE EXCLUSIVE AND CONFIDENTIAL PROPERTY OF REGAL-BELOIT CORPORATION AND ARE NOT TO BE DISCLOSED, DUPLICATED, DISTRIBUTED OR OTHERWISE USED WITHOUT THE WRITTEN CONSENT OF REGAL-BELOIT CORPORATION. -ALL RIGHTS RESERVED.

DESCRIPTION	
MODEL-PFHP-56FR OUTLINE	
SIZE	DWG NO
C	HSQ1202
SCALE	SHEET
NONE	1

4

3

2

1

4

3

2

1

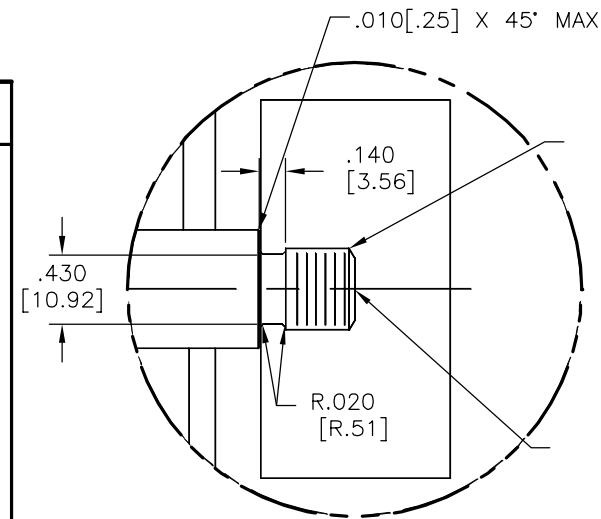
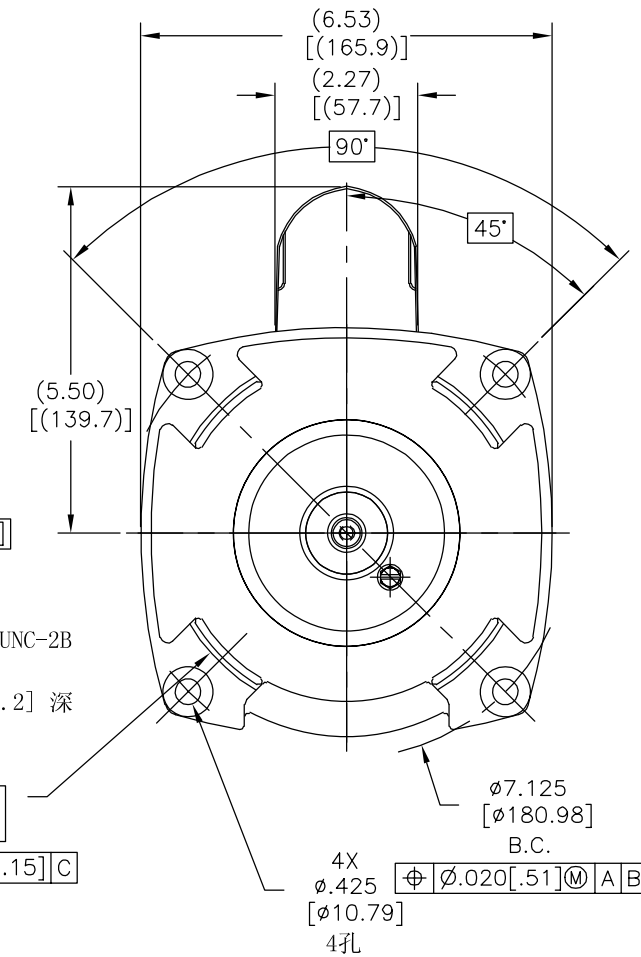
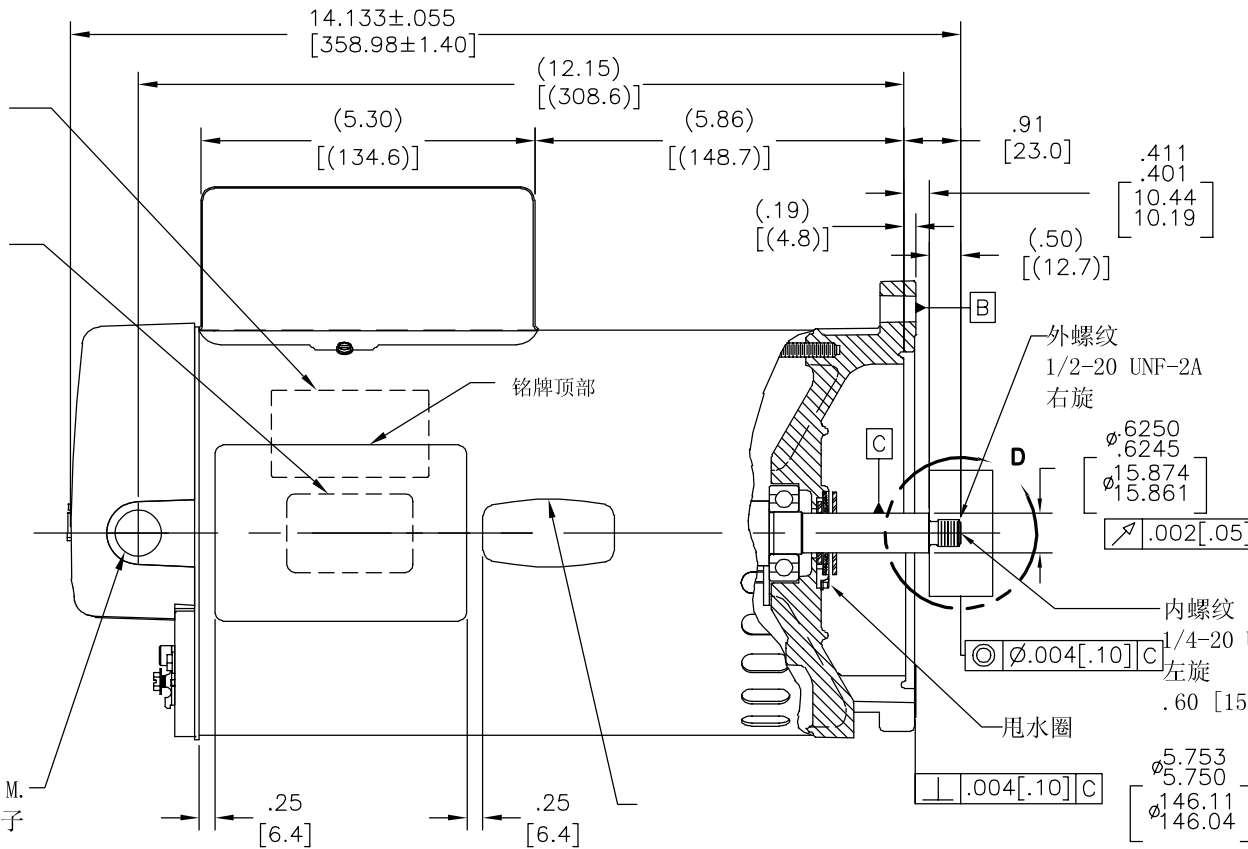
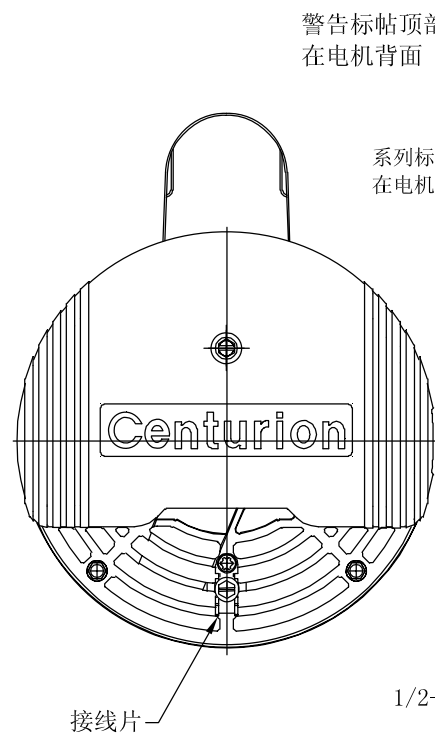
版本	ECO	编制	日期	批准	日期
F	0025552	L.HEREDIA	05-01-2012	M.AVILA	05-01-2012

D

C

D

C



B

B

NAMEPLATE DATA	EXTERNAL CONNECTION DIAGRAM	NOTES
MODEL: 196338 CUST PN: HSQ1202 HP: 2.0 SF: 1.35 ROT: CCWPE RPM: 3450 TYPE: CP CODE: H FORM: FRAME: Y 56 Y VOLTS: 208-230 AMPS: MAX AMPS: 12.0-11.0 SF AMPS: PH: 1 HZ: 60 INS: F AMB: 60°C DUTY: CONT ENCLOSURE: ODP THERMALLY PROTECTED	<p>USE COPPER CONDUCTORS ONLY. INSTALL MOTOR WITH VENTS DOWN. ACCEPTABLE FOR FIELD WIRING</p>	1. 量规测量方法如图所示，螺纹外径与中心的同心度为.004[.10] 2. 轴向窜动不超过.010[.25] 3. 括号内尺寸为参考尺寸。 4. 表面为浅褐色喷漆。 5. 参考型号: 177450 6. 1.65 SF HP

A

A

PERFORMANCE CURVE	APPROVED SAMPLE		
101128101	0701132		
UL COMPONENT	CSA		
FILE#	CCN#	FILE#	GUIDE#
E14663	PRGY2	LR642	4211-01
CUSTOMER	DISTRIBUTION		

形位公差	除另有注明
□ 平面度	尺寸公差如下:
— 直线度	英寸 X XX XXX XXXX
∠ 倾斜度	英寸 ±.1 ±.02 ±.005 ±.0005
⊥ 垂直度	毫米 ±0.5 ±0.13 ±0.013
// 平行度	角度 ±.50度
○ 圆度	清理毛刺和尖棱
⊘ 圆柱度	英寸 .003-.015 毫米 0.1-0.4
△ 面轮廓度	内圆角
∇ 线轮廓度	英寸 .020 毫米 0.5
↗ 圆跳动	表面粗糙度
⊕ 位置度	英制 125 米制 3.2
⊙ 同轴度	米制尺寸显示在 []
≡ 对称度	

绘图:	JHENRY	06-26-2008
批准:		
第三角投影	⊕	图纸格式发布日期 11-11-2011 图纸格式版本 G
机密: 本图纸及相关信息所有权归REGAL-BELOIT CORPORATION. 未经REGAL-BELOIT CORPORATION书面授权, 不得泄露、复制、传播或作其他用途。一版权所有		

名称		REGAL-BELOIT CORPORATION
MODEL-PFHP-56FR OUTLINE		
图幅	C	图号
比例		NONE
页号		1

4

3

2

1