



Attention Installer:

This manual contains important information about the installation, operation, and safe use of this automatic pool cleaner.

This Owner's Guide should be given to the owner/operator of this cleaner to keep.

HAYWARD®
VIPER™
High Performance Cleaner

High Performance Automatic Pool Cleaner

Owner's Guide Model 5500

- Important Safety Instructions
- Installation Instructions
- Parts List
- Consumer Product Safety Registration Card
- Warranty



HAYWARD®

VIPER™

Important Safety Instructions

Warning

Read this entire Owner's Guide before installing the Viper cleaner. Failure to follow safety warnings and owner's guide instructions can result in severe injury, death or property damage.

For additional free copies of the Owner's Guide you can download them from www.haywardnet.com or call (908) 351-5400 ext. 4700.

Warning - Risk of Electrical Shock

The Hayward Viper Automatic Pool Cleaner is designed to connect to a threaded 1-1/2 inch female pipe fitting on a dedicated return line that is powered by a 3/4 H.P. Booster Pump. You should have a licensed electrician install the cleaner's booster pump. **The Booster Pump must be installed in accordance with the National Electrical Code and all local code requirements. Failure to do so can result in serious injury or death.**

Warning - Risk of Injury

Failure to follow the safety warnings below may result in severe injury, death or property damage.

- Always disconnect and remove the cleaner and pressure hose before entering the pool.
- Always handle with care. Do not let children or pets play with the cleaner; it is not a toy.
- Always turn the Booster Pump **OFF** before handling cleaner (exception: initial setting of pressure, page 10).
- Do not operate outside the pool. The Viper Cleaner and hoses contain high-pressure water jets that may cause injury.
- Disconnect pressure hose from the universal wall fitting before removing the cleaner from the pool.
- **Never** point any of the cleaner's high-pressure jets, pressure hose or sweep hose at any person or pets.

Important Information

Caution - Risk of Equipment Damage

- Always turn the Filtration Pump on **before** turning the booster pump on. Running the booster pump dry will damage the booster pump and is not covered by the Hayward warranty.

- Always disconnect and remove the Viper cleaner and hoses from the pool before cleaning or backwashing the pool filter.
- After cleaning or backwashing the pool filter, allow the filtration system to run for a minimum of five minutes or until all debris has been flushed from plumbing lines before reconnecting the Viper cleaner.
- New plumbing lines must be flushed out before connecting the Viper cleaner.
- The Viper cleaner should not be used to remove plaster dust or construction debris from new or renovated pools.
- The Viper cleaner should not be used to remove excessive sand (dense debris) following wind or sandstorms.
- Always disconnect and remove the Viper cleaner and hoses before chemically shocking the pool.
- Only operate the Viper cleaner for the period of time necessary to clean the pool. Excessive use is unnecessary and will cause cleaner parts to prematurely wear.
- Regularly inspect the cleaner and hoses; do not use if damaged or if any rough edges are visible on the cleaner; this can cause damage to the pool.
- Only pick-up the Viper cleaner by its wing (Part A, page 4), never by the hose or bag.

Disclaimer

- Pool plaster is affected by age, water chemistry, etc.
- Pool plaster can deteriorate over a period of time.
- The integrity of "good" pool plaster is such that a pool vacuum cleaner – automatic or manual – cannot remove the plaster.
- The integrity of "good" pool plaster is such that the plaster will cause wear on the cleaner, the cleaner will not wear out "good" pool plaster.
- Vinyl pool liners are affected by age, sunlight, and water chemistry.
- Vinyl pool liners can become brittle and weak.
- Vinyl pool liners can be affected by the installation and the pool's surroundings.
- Patterns on vinyl pool liners vary in quality.
- When installing the Viper cleaner, you assume responsibility for the condition of the pool and the pool's surroundings and chemistry.

Contents

Important Safety Instructions	1
Disclaimer	1
Introduction	3
For Your Records	3
Principal Parts	4
Preparing the Pool	5
Tools Needed for Installation	5
Connecting Viper Cleaner to Pool	6
Installing the Universal Wall Fitting	6
Connecting Pressure Hose to Universal Wall Fitting.....	6
Sizing Pressure Hose	7
Preparing Hose	7
Measuring Pressure Hose	7
Mender Nut Connections	8
Large Capacity Debris Bag	9
Operating the Viper Cleaner	10
Setting Pressure	10
Correctly Operating Cleaner	11
Cleaner Adjustments	12
Changing Spin-Out Frequency	12
Adjusting Spin-Out Duration	12
Adjusting Sweep Hose Power	13
Maintenance	14
Removing the Viper Cleaner from Pool	14
Emptying Debris Bag	14
Cleaning the Cleaner Connector Screen	14
Sweep Hose	14
Replacing Parts	15
Sweep Hose	15
Debris Bag	15
Swivels	15
Storing the Viper Cleaner	15
Winterizing	15
Periodic Freezing Conditions	15
Troubleshooting	16
Booster Pump	17
Viper Parts Diagram and Replacement Parts List	18
Limited Warranty	19

Introduction

Congratulations on your purchase of the Hayward Viper Automatic Pool Cleaner. The Hayward Viper is designed to clean your pool faster than other automatic pool cleaners so you and your family spend your time enjoying your pool, not maintaining it.

This revolutionary design offers the following features:

- **Faster Cleaning**
 - Wider Vacuum Nozzle
 - Powerful Sweep Hose
- **Complete Pool Coverage**
 - Patented AquaDrive™ water jet propulsion
 - Randomized Cleaning, Backup & Spin-out
- **Large Debris Pick-up**
 - Larger Suction Inlet
 - Three High Pressure Water Jets
- **Less Frequent Bag Cleaning**
 - Larger Capacity Bag
 - Easy to remove, clean and replace debris bag
- **Less Wear on Pool Surface**
 - Patented AquaDrive water jet propulsion: no powered wheels wearing pool surfaces
- **Easy Installation**

A limited warranty program protects your Hayward Viper cleaner. To take full advantage of this limited warranty, please read, complete and **return the Limited Warranty Registration Card within 14 days of purchase date.** Your warranty card is packed in the Owner's Guide and Accessory Pack.

Important

This manual is for Viper owners who want to install their Automatic Pool Cleaner. However, we recommend that an Authorized Hayward Dealer install the cleaner.

The Hayward 5060 Booster Pump purchased separately as part of the Viper Automatic Pool Cleaner package offers optimum cleaner performance. Use of other booster pumps will provide acceptable performance if they deliver 35 Pounds per Square Inch (PSI) at 12 Gallons Per Minute (GPM) at the dedicated line pool wall fitting. For electrical and plumbing installation procedures for the Hayward Booster Pump, refer to the Owner's Guide that comes with the Hayward 5060 Booster Pump.

Warning - Risk of Electrical Shock

You should have a licensed electrician install the cleaner's booster pump. **The Booster Pump must be installed in accordance with the National Electrical Code and all local code requirements.**

For Your Records

Purchase Date

Serial Number

(located on back of cleaner)

Length of Hose Used

Water Pressure Reading

Principle Parts

⚠ Warning - Risk of Injury

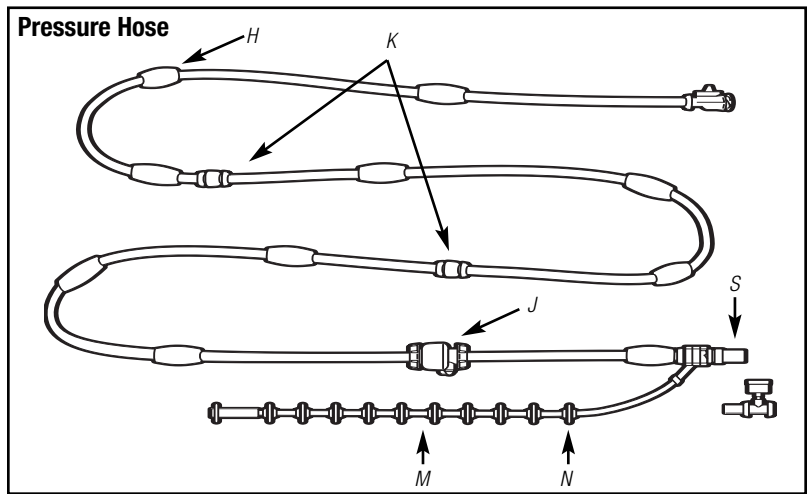
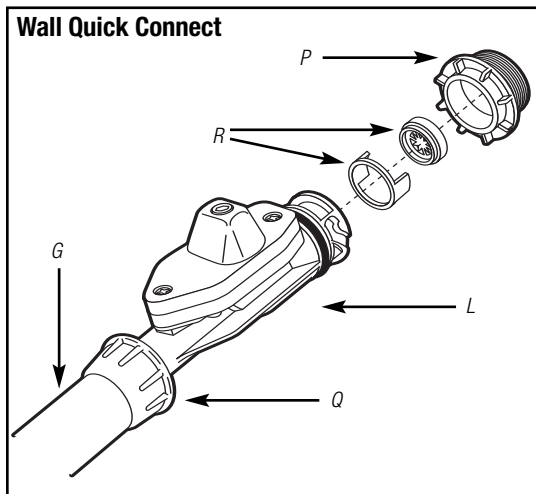
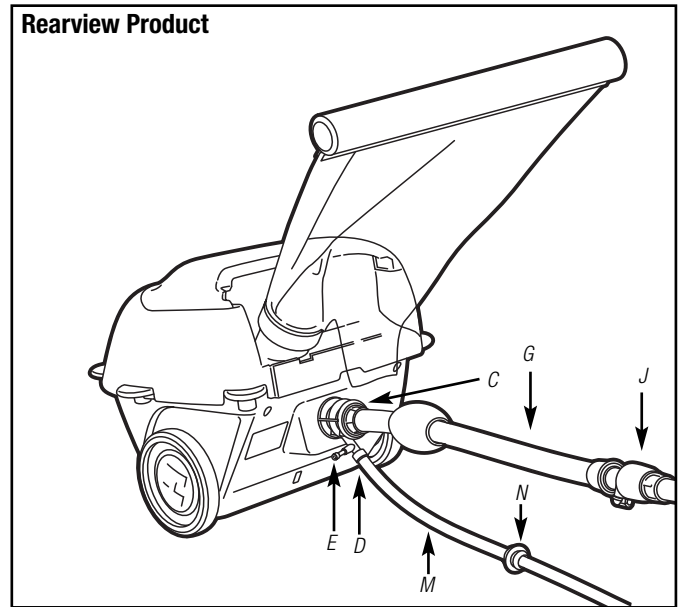
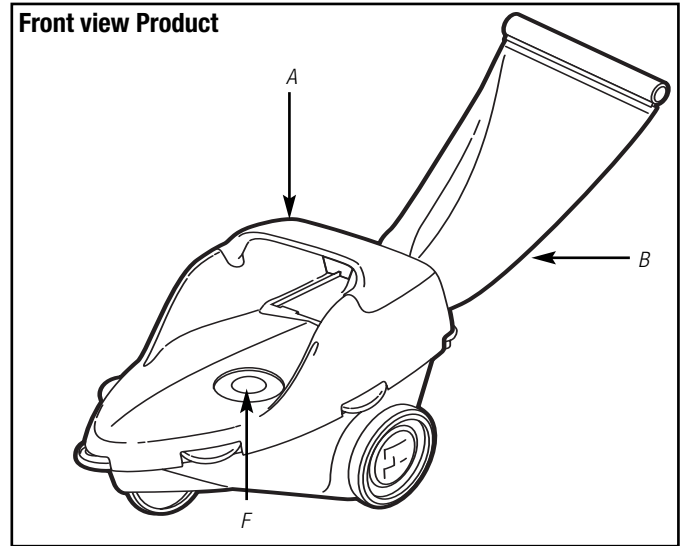
Read this entire Owner's Guide before installing the Viper cleaner.

1. Installation of the Booster Pump by a licensed electrician should precede installation of the Viper cleaner.
2. Lay the parts on the ground and check against the illustration below.
3. Stretch hoses out as straight as possible in the sun to allow them to relax and straighten.

⚠ Caution - Risk of Equipment Damage

Never store the hose in a coil! Coiling the hose will adversely affect the operation of the cleaner.

- A Wing
- B Large Capacity Debris Bag with Float Closure
- C Cleaner Connector
- D Sweep Hose Connector
- E Sweep Hose Adjustment Screw
- F Cam Cap
- G Pressure Hose
- H Hose Floats
- J Jetted Swivel
- K Hose Swivels
- L Wall Quick Connect
- M Sweep Hose
- N Wear Rollers
- P Universal Wall Fitting
- Q Mender Nut
- R Red Automatic Flow Regulator and Adapter Ring
- S Screen



Preparing the Pool

The Viper cleaner should not be used to clean the pool for spring start-up until the following steps have been taken:

1. Clear the pool of any large objects that might interfere with the cleaner's operation.
2. Check to see that the water is at the recommended level.
3. Check the water chemistry. The water should be properly balanced (pH level) and the pool free from algae.

Note: Algae can adversely affect the operation and performance of the cleaner.

4. Clean or backwash the filtration system without the Viper cleaner in the pool..



Caution - Risk of Equipment Damage.

Always disconnect the Viper cleaner and hoses from the Universal Wall Fitting and remove from pool before backwashing or cleaning the filtration system. Failure to do so can damage the Booster Pump and Cleaner.

5. Clean the filtration system pump's strainer basket.

Note: Following the installation of the Viper cleaner, clean the system at regular intervals according to individual pool conditions.

New Pool Construction

1. Brush newly constructed pool surface and vacuum new surface debris *before* installing the Viper.

Pools with Excessive Sand

Pools with excessive amounts of sand (dense debris) should be vacuumed manually before installing the Viper.

The Viper Bag has a larger mesh area toward the bottom of the bag that allows sand in excess of 1 cup to pass through the bag. This feature enables the Viper to continue to operate picking up leaves, acorns, grasses etc. without falling on its side like other pressure cleaners.

Sand (dense debris)

Always empty the Viper bag when sand (or heavy debris) fills the bag up to the "Empty Sand Line".

Pools with excessive amounts of sand should be manually vacuumed before installing the Viper.

The Viper is designed to operate with 1 cup of sand and the remainder of its bag filled with leaves, acorns, grasses. etc.

Dedicated Return Line

The cleaner is designed to connect to a 1-1/2 inch dedicated return line that is approximately 6 inches below the normal water level and have 1-1/2 inch female threads. If the dedicated return line has 3/4 inch female threads, you will need to purchase a 1-1/2 inch NPTF x 3/4 inch NPTM adapter.

Tools Needed for Installation

- Anvil-type pruning shears (recommended) or Utility knife for cutting hose.
- 3/16 inch Hex wrench (supplied with unit) for adjusting Sweep Hose.

Connecting The Viper Cleaner To Pool

Warning - Risk of Injury

The Booster Pump must be **OFF** when connecting or disconnecting cleaner or hose.

Caution - Risk of Equipment Damage

The filter pump must always be run to clear air from the system before turning on the Booster Pump. **Never** run the Booster Pump without the main filter pump **ON**. Running the Booster Pump dry will damage the Booster Pump and void its warranty.

Installing Universal Wall Fitting

Specification: Dedicated Return Line in Pool Wall

Depth: approximately 6 inches below water level

Size: 1-1/2 inch NPT Female Threaded

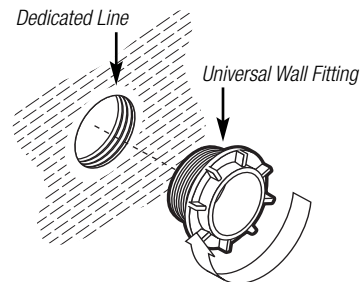
1. Flush plumbing lines before proceeding.
2. Turn Booster Pump and Main Filtration Pump **OFF**.
3. Remove plug or existing universal wall fitting from previously installed pool cleaner (if any).
4. Remove the Universal Wall Fitting (Part P, page 4) from the Wall Quick Connect (Part L, page 4) on the hose.
5. When installing or re-installing the Universal Wall Fitting use Teflon® tape on its plastic threads. Leave at least two starting threads on the end of the Universal Wall Fitting un-taped.
6. Screw the Universal Wall Fitting into the Dedicated Return Line.

Important: Turn Universal Wall Fitting 1 full turn to the right to engage starting threads. Be sure both parts are started properly (not cross threaded) then resume tightening. **Do not over tighten.**

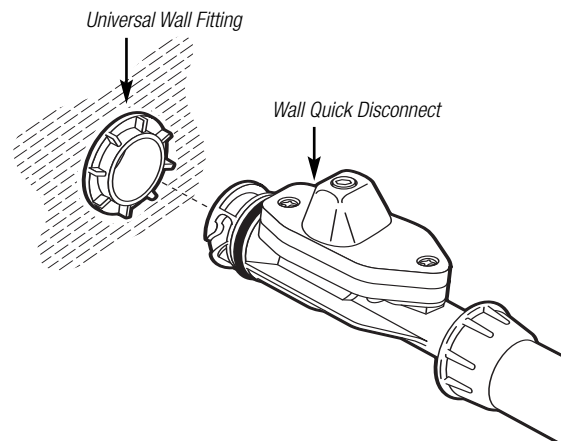
Connecting Hose to Wall Fitting

1. With the Booster Pump and filtration system turned **OFF**, from the pool deck looking down, insert the Wall Quick Connect into Universal Wall Fitting and turn it to the left (counter clockwise) to lock.
2. Pull the Wall Quick Connect outward to check that the Wall Quick Connect is locked into the Universal Wall Fitting.
3. To **disconnect** the hose, first turn the Booster Pump **OFF** then push the Wall Quick Connect toward the wall, turn it to the right (clockwise) and pull the Wall Quick Connect out of the Universal Wall Fitting.

Dedicated Line



Wall Quick Connect



TEFLON® is a registered trademark of E.I. du Pont de Nemours and Company.

Use Only Genuine Hayward Replacement Parts.

Sizing Pressure Hose

The 32 foot long Pressure Hose carries water from the Universal Wall Fitting to the cleaner. It comes assembled as follows:

- Cleaner Connector, 1 foot hose with 1 float near cleaner connector
- T-fitting with Pressure Gauge and 3 inch hose
- Jetted Swivel (**Note: Jet is on “bottom” of hose, aligned with Sweep Hose attachment**)
- 10 foot hose, with 3 floats
- Swivel
- 10 foot hose, with 3 floats
- Swivel
- 10 foot hose, with 3 floats
- Wall Quick Connect with Flow Regulator and Universal Wall Fitting

Float Spacing: There are three, ten-foot hoses, each with 3 floats. A float should be placed 18 inches from each end and one float in the middle, 5 feet from either end. An additional float is placed on the 1 foot hose against the cleaner connector.

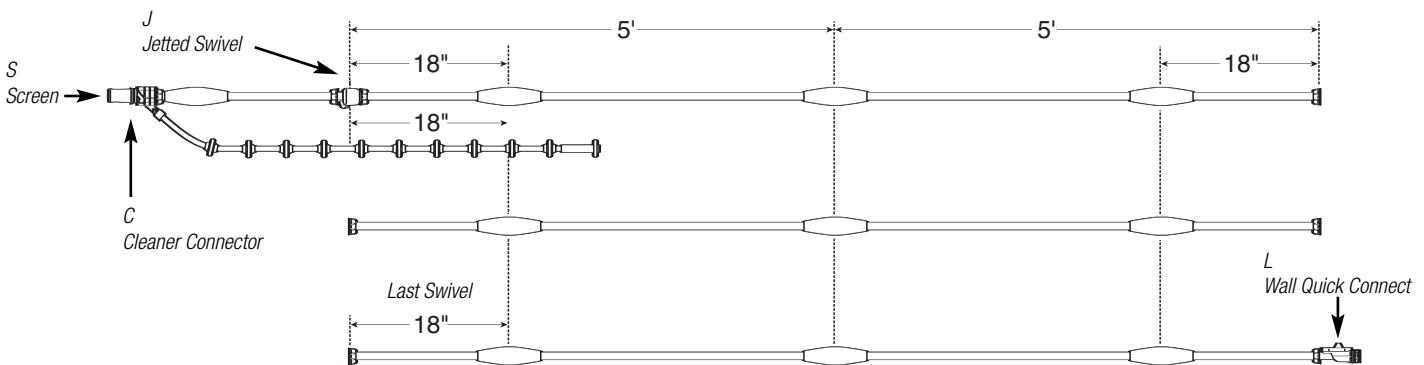
Preparing Hose

Stretch hoses out as straight as possible, preferably in the sun, to allow them to relax and straighten.

Note: Bent hoses will cause tangling and impede proper performance of the Viper cleaner.

Measuring Pressure Hose Specification

Cleaner performance depends on a properly sized pressure hose.



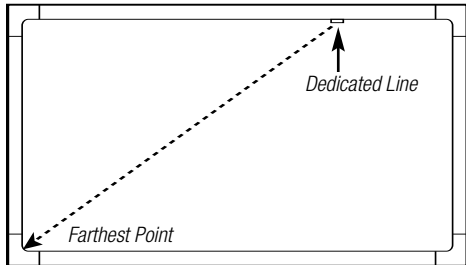
Note: End of hose to be cut if necessary

IMPORTANT: Read Carefully - Don't Cut the Wrong End of the Hose!

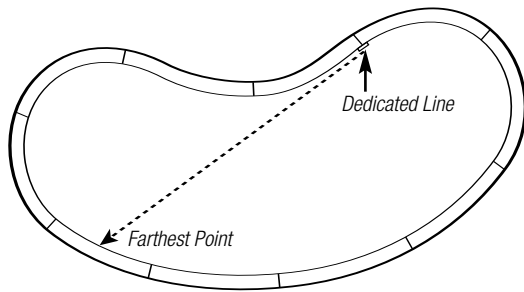
Note: After measuring the hose following the steps below, *if* you need to reduce the hose length you will **cut the hose from the end with the Wall Quick Connect.**

1. Insert the Wall Quick Connect into the Universal Wall Fitting.
2. Hold the Cleaner Connector at the other end of the hose and walk around the pool to the farthest point from the dedicated return line in the pool wall (see pool diagrams on Page 8).
3. a) If the jetted swivel (J) does not reach the farthest point along your pool wall (from the dedicated return line) then you must purchase a 10 foot pressure hose extension (AX5500HE)
b) If the jetted swivel (J) reaches past the farthest point along your pool wall (from the dedicated return line) then measure the distance from the jetted swivel (J) back to the farthest point along the pool wall. This measured length should **be removed from the other end of the hose**, the end with the Wall Quick Connect. Double-check your measurement.
c) If you need to remove one complete section of hose (10 ft.) remove the hose from the Wall Quick Connect (L) and cut the hose 18 inches from the last swivel and reconnect the 18 inches of hose to the Wall Quick Connect.
4. Remove the Wall Quick Connect from the Universal Wall Fitting.
5. We recommend using Anvil-type shears (but a Utility knife can be used) to **Carefully cut the excess hose from the end with the Wall Quick Connect.**
6. Reconnect the Wall Quick Connect to the cut end of the hose.

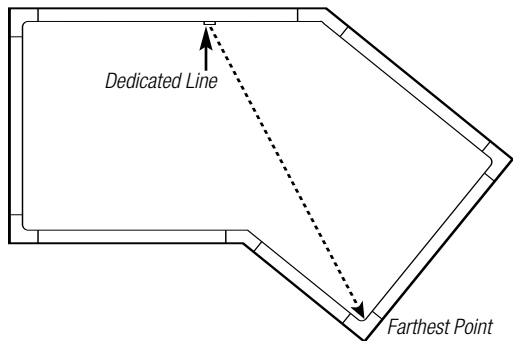
Rectangular-Shaped Pool



Kidney-Shaped Pool



Angle-Shaped Pool

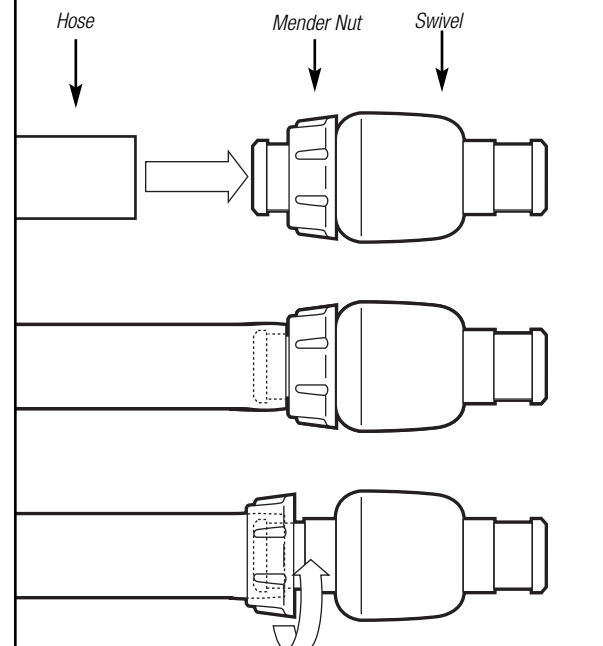


Mender Nut Connections

Note: It is easier to install the swivels when the hose and swivels are wet.

1. Slide Mender Nut on to end of the swivel with small end of nut towards pressure hose.
2. Insert end of swivel into Pressure Hose so end of Hose is over reduced diameter of swivel.
3. Slide Mender Nut back over Pressure Hose and tighten well.

Mender Nut Connections



Large Capacity Debris Bag

Attaching Debris Bag

(Part B, page 4)

1. Place forward edge of Bag Holder under tab to right of Vacuum Tube.
2. With Bag Holder flat on Deck, slide Bag Holder to the left until it locks in place.

Removing Debris Bag

1. Push down Locking Tab on Deck.
2. Slide Bag Holder to right.

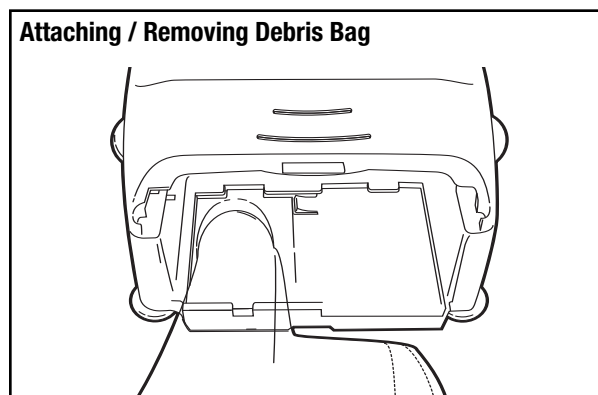
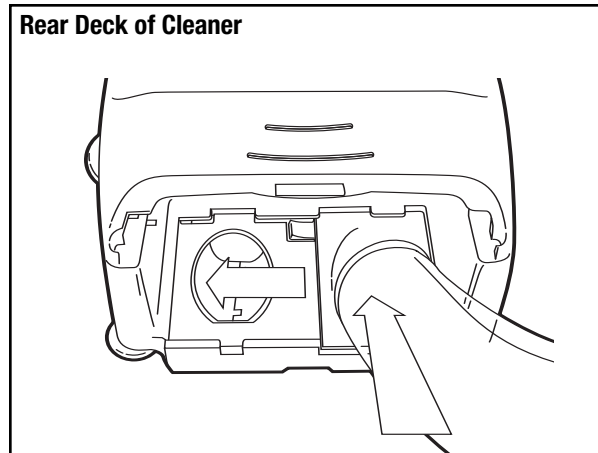
Cleaning Debris Bag

1. Hold Bag over trash can or wherever debris is to be placed.
2. Slide Float Closure off of bag
3. Hold open edges apart and shake debris from bag.
4. Slide Float Closure onto bag.

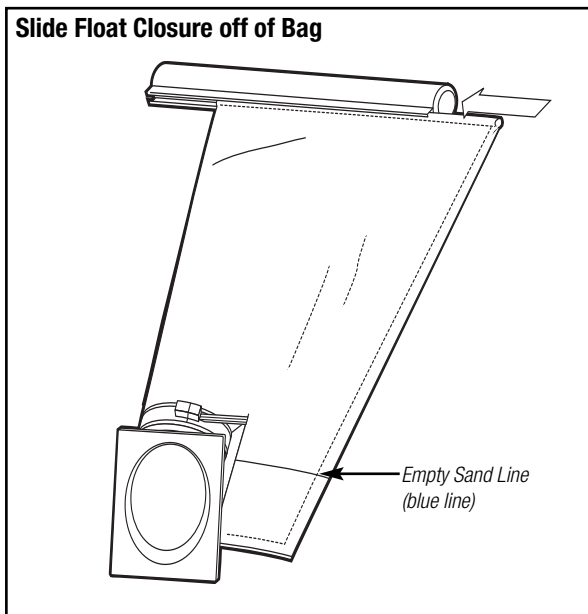
Sand (dense debris)

Always empty the Viper bag when sand (or heavy debris) fills the bag up to the "Empty Sand Line". The Viper will continue to operate with 1 cup of sand and the remainder of its bag filled with debris.

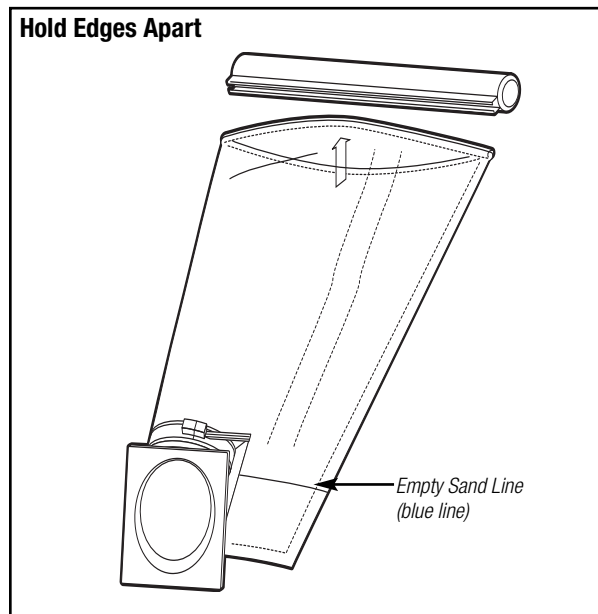
Note: Pools with excessive amounts of sand should be manually vacuumed before installing the Viper.



a) Slide Float Closure off of Bag



b) Hold Edges Apart



Operating the Viper Cleaner

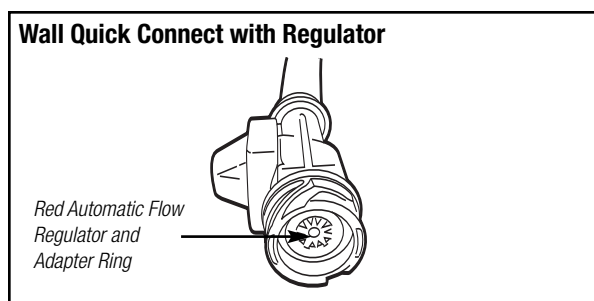
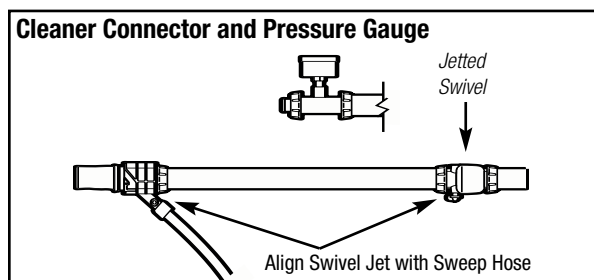
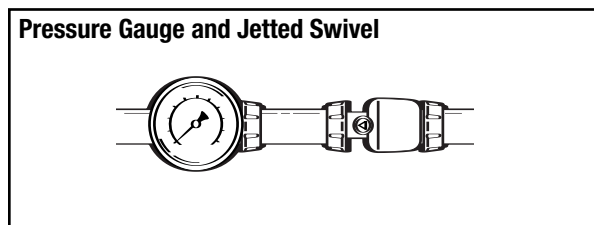
1. Be sure all filtration system valves are open and supplying water to the Booster Pump.
2. Be sure valves to and from the Booster Pump and dedicated return line are fully opened.
3. a) The Viper Cleaner and its Booster Pump can only operate when the pool's filter pump is operating. With the cleaner assembled and connected, place the cleaner in the pool. b) Turn the pool's filtration system **ON** and run for several minutes, or until all the air has been purged from the system. c) Turn the Booster Pump **ON**.

Caution - Risk of Equipment Damage

Failure to open valves fully and/or failure to have the filtration system operating will damage the Booster Pump. This damage voids the Booster Pump's warranty

Setting Pressure

Important: The cleaner will not operate properly if the pressure is not properly set. Too little pressure will prevent proper movement and cleaning. Too much pressure will cause poor cleaning and premature wear of Cleaner parts.



Warning - Risk of Injury

Be careful to hold the cleaner head under water and not to be sprayed by jets in the cleaner head, the Sweep Hose or the Jetted Swivel. **Never** point a jet or hose at people or pets.

1. With the cleaner assembled, connected, the filtration system pump and the Booster Pump running, hold the cleaner head by the wing, under the water near the Wall Connector.
2. The cleaner comes equipped with a self-adjusting pressure regulator in the Wall Quick Connect fitting. If the cleaner is receiving too much water pressure, it will restrict water flow at the Wall Quick Connect fitting.
3. With the cleaner in forward mode, read the pressure on the gauge connected in the hose near the cleaner. **If the pressure is between 25 and 30 PSI your cleaner is operating properly, proceed to step 8. If the pressure gauge is below 25 PSI go to step 4. If the pressure is above 30 PSI, turn the Booster Pump OFF and remove the Wall Quick Connect from the Universal Wall Fitting and confirm the Red Automatic Flow Regulator and Adapter Ring are in place.**
4. **If Pressure is below 25 PSI:** With the Booster Pump and Filtration Pump **OFF** push the Wall Quick Connect into the wall, turn it to the right and pull the Wall Quick Connect out of the Universal Wall Fitting.
5. Remove the Red Automatic Flow Regulator and Adapter Ring from the end of the Wall Quick Connect. (Part R, Page 4)
6. Reconnect the Wall Quick Connect into the Universal Wall Fitting. Turn the Filtration Pump and Booster Pump **ON**.
7. Confirm that the Pressure Gauge reads between 25 and 30 PSI. Proceed to Step 8. If the pressure is still below 25 PSI, check for clogged Filter, Pump Strainer Basket, Main Drain, Skimmer Basket, etc., to determine why there is insufficient water pressure at the Dedicated Line.
8. Turn the Booster Pump and Filtration Pump **OFF**.
9. **Remove the Pressure Gauge T-Fitting and the 3 inch hose.** Store the T-Fitting and spare Mender Nut with the Owner's Guide in a safe place.
10. Attach the 1 foot hose to the Jetted Swivel – be sure that the arrow on the Jetted Swivel and the arrow on the Cleaner Connector align with the line on the hose.
11. Place the cleaner in the pool, turn the Filtration system **ON**, then turn the Booster Pump **ON**.

Correctly Operating Cleaner

Movement

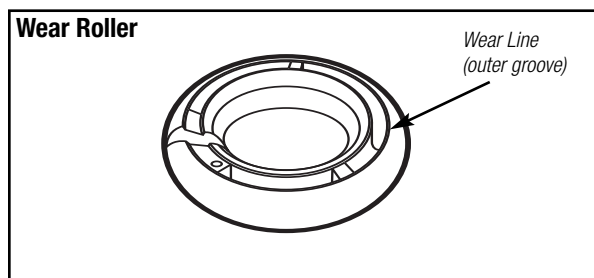
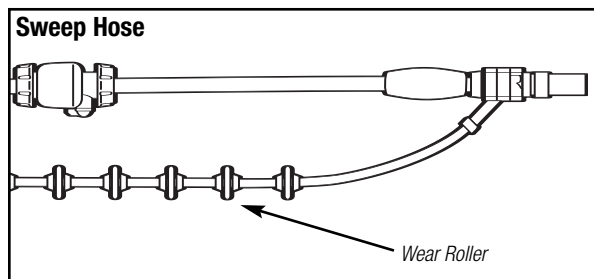
When the Viper cleaner is operating properly it will randomly travel around the bottom and sides of the pool.

Spin-Out

The cleaner will periodically stop and rotate clockwise in order to provide better pool coverage and to escape from corners and other obstacles. If the cleaner is momentarily stopped in a corner or at an obstacle, it will Spin-Out to free itself and continue moving randomly about the pool. The Spin-Out Cam determines the frequency of the Spin-Outs. The cleaner comes equipped with 3 Spin-Out Cams; every 75, 50 (factory installed) or 30 seconds (75 second and 30 second Cams are under the Cam Cap (Part F, page 4)).

Sweep Hose

The Sweep Hose should move in a slow, undulating (snake-like) motion. It moves debris out of tight corners so the cleaner can vacuum the debris at a more accessible spot in the pool. The Sweep Hose also stirs fine debris into suspension for removal by the pool's filtration system. The Sweep Hose Rollers are wear parts. When the rollers wear-down to the outer groove (Wear Line) replace the Wear Rollers (P/N AX5006A). If a hole forms in the Sweep Hose, it must be replaced with a genuine Hayward Viper Sweep Hose (P/N AX5000RSHA).



Cleaning

Debris is vacuumed from below the cleaner and passed through the vacuum tube into the Debris Bag, where it is held until the user empties the Bag. The cleaner may not pick up all debris on the first pass, but your pool should be clean in 3 hours or less (depending on pool size and shape).

Observe the Viper's operation at regular intervals and empty the bag as necessary. Only operate the Viper for the time necessary to clean the pool. Excessive use is unnecessary and will cause premature cleaner wear.

Fine Debris

The Large Capacity Debris Bag, as with other pressure-side cleaners, does not hold very fine sand or other powder-like debris. Powder will be blown through the bag and into suspension so it can be filtered by the pool's filtration system.

Sand (Dense Debris)

Always empty the Viper Bag when sand (or heavy debris) fills the bag up to the blue "Empty Sand Line".

Pools with excessive amounts of sand should be manually vacuumed before installing the Viper

The Viper is designed to operate with 1 cup of sand and the remainder of its bag filled with leaves, acorns, grasses, etc.

Pressure Hose

Most of the pressure hose should remain at the surface of the water the majority of the time. It is common for the cleaner to form loops in the hose and eventually work them out. If the hose becomes knotted or badly tangled, it will limit the range of the cleaner. To get optimal coverage, remove knots or bad tangles if found.

Cleaner Adjustments

Warning - Risk of Injury

Turn the Booster Pump and Filtration Pump OFF before making adjustments to the cleaner. Always make adjustments outside of the pool. Failure to do so may cause injury.

Changing Spin-Out Frequency

- In most pools it will not be necessary to change the Spin-Out frequency.
- The cleaner comes with a 3-prong Spin-Out cam installed, which causes the Viper cleaner to Spin-Out once every 50 seconds. This is appropriate for most pools.
- Pools that are small, shallow in depth and/or have many sharp geometric features or other obstacles may benefit from more frequent Spin-Outs. For such pools, open the Cam Cap and replace the 3-prong cam with the 5-prong 30-second cam.
- Pools that are very large and/or have very few obstacles may benefit from less frequent Spin-Outs*. For such pools, open the Cam Cap and replace the 3-prong cam with the 2-prong 75-second cam.
- The goal is to maximize cleaning time and minimize the amount of time backing-up and spinning out.
 - If the cleaner is spending too much time at an obstacle waiting for a Spin-Out, use a cam with more prongs for more frequent Spin-Outs.
 - If the cleaner rarely needs to back-up and Spin-Out near an obstacle then a cam with fewer prongs and less frequent Spin-Outs will increase effective cleaning time.

Changing Spin-Out Cam

1. Turn the Cam Cap to open.
2. Turn the Thumbscrew counter-clockwise and remove it from the square stem.
3. Remove the Spin-Out Cam.
4. Place the desired Cam in place over the Stem.
5. Screw the Thumbscrew into the stem.
6. Place unused Cams on the clip under the Cam Cap.

*This can also assist the cleaner make steep climbs from the deep end to the shallow end.

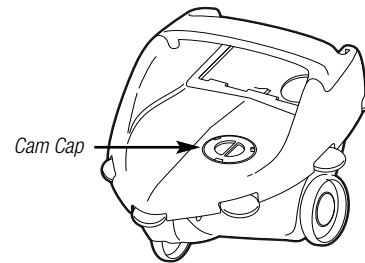
7. Close the Cam Cap.

Adjusting Spin-Out Duration

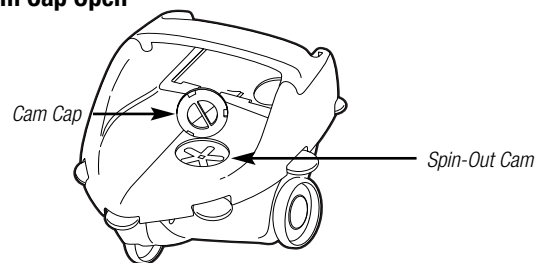
Each Cam has a "Summer" side and a "Winter" side (see Sun & Snowflake logos on each Cam). The Summer side is usually preferred. If the pool water is cold (below 60 degrees F), the Pressure Hose becomes stiffer and may prevent the Cleaner from Spinning-Out enough to escape from obstacles. The "Winter" Cam side will provide longer Spin-Outs so the Cleaner operates better in cold water.

1. Turn the Cam Cap to open.
2. Turn the Thumbscrew counter-clockwise and remove it from the square stem.
3. Remove the Cam, turn it over and replace the Cam so the desired (Sun or Snowflake) side is face-up.

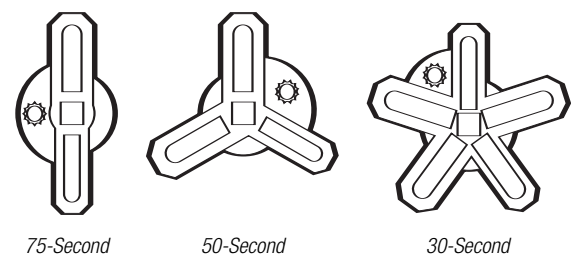
Cam Cap on Cleaner Deck



Cam Cap Open



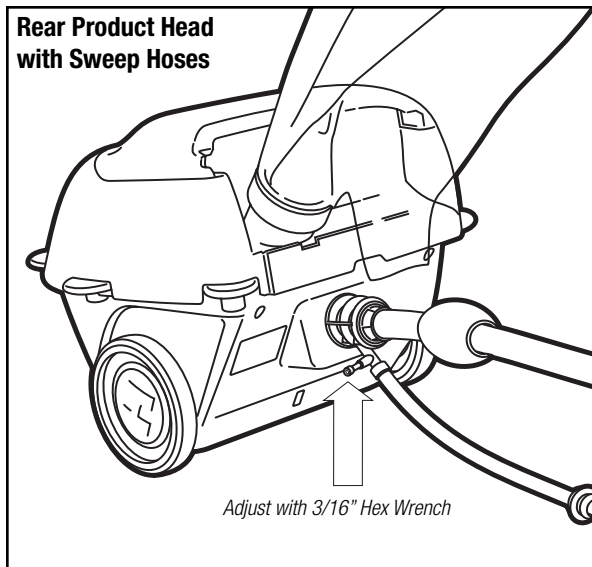
Different Cams



Use Only Genuine Hayward Replacement Parts.

Adjusting Sweep Hose Power

- In most pools it will not be necessary to adjust the Sweep Hose power.
- Observe the Viper cleaner operating in the pool. The Sweep Hose should move in a slow, undulating (snake-like) motion.
- **Sweep Hose Not Moving:** if the sweep hose does not move side-to-side and just drags behind the cleaner, check the Sweep Hose for holes. Check for debris behind the adjustment screw or in the jet-end of the Sweep Hose.
- **Sweep Hose Moves Slowly Or Not At All:** use the 3/16 inch Hex Wrench to **turn the adjustment screw counter-clockwise** to increase Sweep Hose power.
- **Sweep Hose Frequently Sprays Out Of The Pool:** use the 3/16 inch Hex Wrench to **turn the Sweep Hose adjustment screw clockwise** to reduce Sweep Hose power.




Maintenance

Removing the Viper Cleaner From The Pool

Warning - Risk of Injury

The Filtration Pump and Booster Pump must be **OFF** when connecting or disconnecting cleaner or hose.

1. **Turn the Booster Pump and Filtration Pump OFF.** If you will not be replacing the cleaner before the next Booster Pump timer cycle, turn the Booster Pump Timer **OFF. Never** run the Booster Pump without the cleaner connected. **Failure to do so can cause serious injury.**

 **Risk of Equipment Damage. Never** run the Booster Pump without the Cleaner connected. Doing so will damage the pump's motor and void the Booster Pump's warranty.

2. From the pool deck looking down push the Wall Quick Connect into the Universal Wall Fitting and turn it to the right (clockwise).
3. Pull the Wall Quick Connect out of the Universal Wall Fitting.
4. Remove the cleaner from the pool.
5. Disconnect the Cleaner Connector from the Viper cleaner.
6. Lay the Pressure Hose and Sweep Hose flat and straight.

Important: Always store the Pressure Hose and Sweep Hose straight, **not coiled**. The cleaner may not operate properly with bent hoses.

Emptying the Debris Bag

Empty the Debris Bag regularly. Do not continue to operate the Viper when the bag is full.

Sand (dense debris): Always empty the Viper bag when sand (or heavy debris) fills the bag up to the blue "Empty Sand Line".

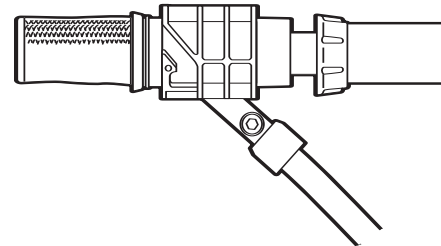
DO NOT operate the Viper if it runs on its side.

1. Hold Bag over trash can or wherever debris is to be placed.
2. Slide Float Closure off of bag
3. Hold open edges apart and shake debris from bag.
4. Slide Float Closure onto bag.

Cleaning the Cleaner Connector Screen

1. The Screen, located on the Cleaner Connector, protects the cleaner from a poorly operating or dirty filtration system.
2. To remove, push in slightly on the Cleaner Connector and turn it counterclockwise.
3. Pull the Cleaner Connector out of the Viper cleaner.
4. The Screen is held in place by a black rubber ring. **Gently** pull the screen and rubber ring off of the Cleaner Connector.
5. Remove debris from the Screen and rinse the screen. **Important:** If the Screen frequently becomes plugged, the filter is not performing properly or there is another plumbing problem.
6. Push the Screen back on to the end of the Cleaner Connector.
7. Connect the Cleaner Connector to the Viper cleaner.

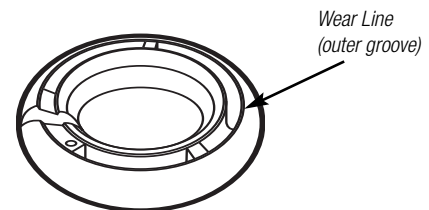
Cleaner Connector Screen



Sweep Hose

- Sweep Hose Wear Rollers will experience wear when operating in a plastered or concrete pool.
- When the Wear Rollers wear-down to the outer groove (Wear Line) replace the Wear Rollers (P/N AX5006A).
- Check the Sweep Hose for holes.

Wear Roller



Replacing Parts

*Some parts will wear with normal use. To insure the high quality performance, insist on **Genuine Hayward replacement parts (using non-Hayward replacement parts will Void the Viper Cleaner's Warranty).***

The following parts are user replaceable and subject to normal wear and tear.

- 1. Sweep Hose:** If a hole forms in the Sweep Hose, it should be replaced. Unscrew the mender nut from the hose and pull the Sweep Hose off the Cleaner Connector. Attach a new Sweep Hose to the Cleaner Connector. (Replacement Part Number: AX5000RSHA)
- 2. Debris Bag:** The Debris Bag should be replaced if it is torn. (Replacement Part Number: AX5500BFA)
- 3. Swivels:** If a swivel ceases to turn easily or leaks while the cleaner is running, it should be replaced. (Replacement Part Number: AX5000SA)
(Jettted Swivel Replacement Part Number: AX5000JSA)

Storing the Viper Cleaner

- 1. Turn the Booster Pump OFF** and set the timer so the Booster Pump will not turn on while the Viper cleaner is out of the pool (**Never** operate the Booster Pump without the cleaner connected).
2. Disconnect Wall Quick Connect from the Universal Wall Fitting. The Universal Wall Fitting may be left in place.
3. The cleaner is constructed of the finest materials available, however we recommend that when the Viper cleaner is removed from the pool, it should be stored flat on its wheels in a shaded area to protect the unit from excessive exposure to ultraviolet solar rays.
4. Store the Sweep and Pressure Hoses straight and flat, **not coiled**. If possible, store the hoses in the shade.

Winterizing the Cleaner

When closing your pool for the winter completely drain the water from the Viper Cleaner (by slowly rotating it in all directions) and Hoses. Store the Viper Cleaner indoors to prevent freezing the inner mechanisms.

Periodic Freezing Conditions

If you are in an area subject to periodic freezing conditions, but pool equipment is kept in operation, it is very important that the filtration system and Viper cleaner be in operation during times when hard freezing occurs (normally between 3AM and 7AM). Running the Viper cleaner at this time will insure against damaging the Cleaner and may prevent freezing of pool water.

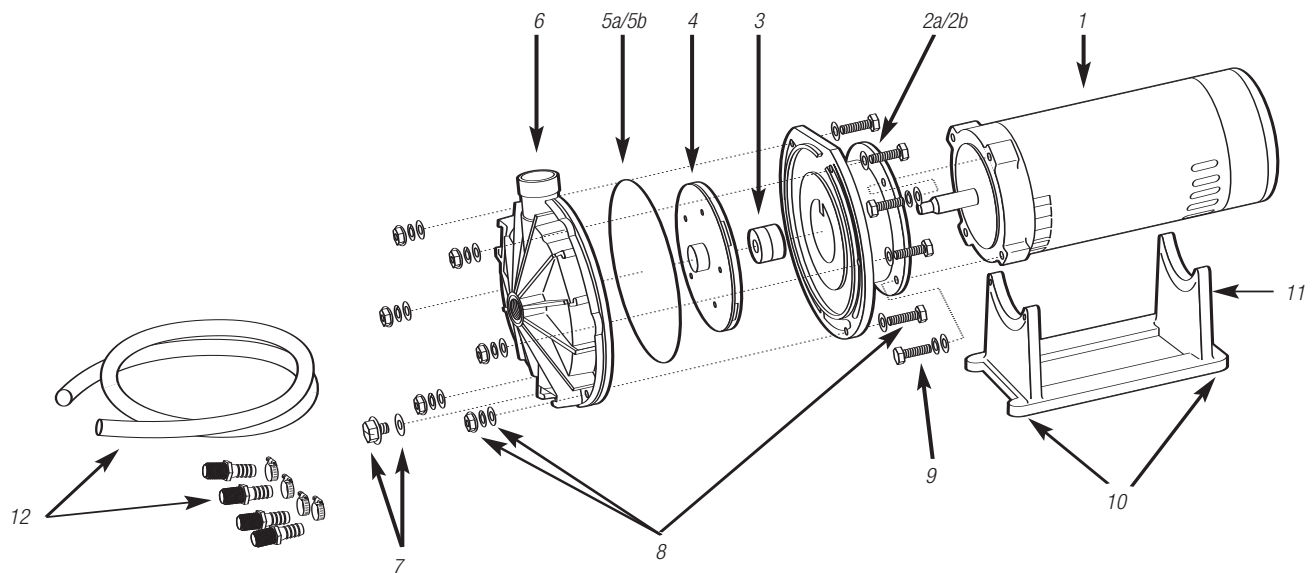
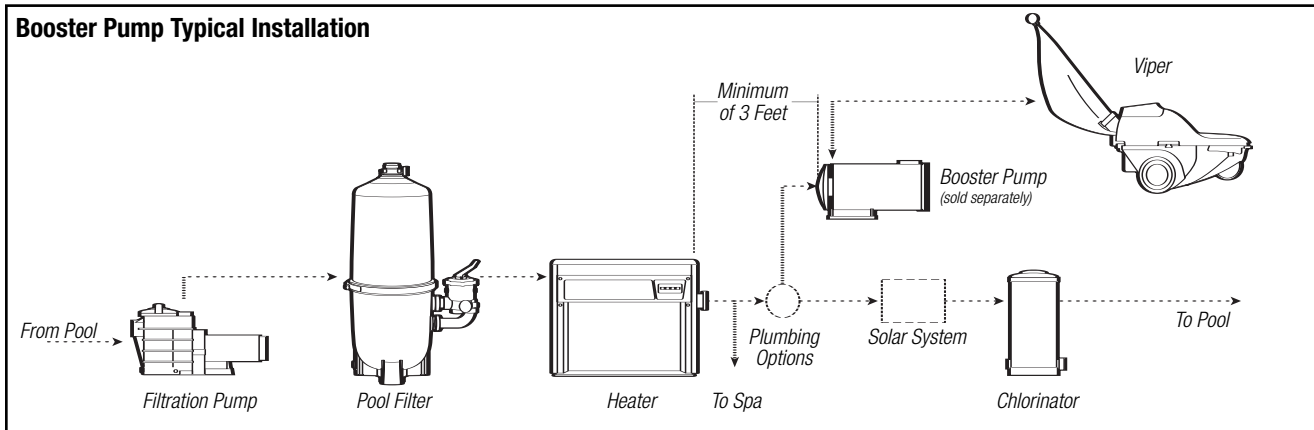
Troubleshooting

For Technical Assistance Call:

1-800-227-1477

Problem	Cause	Solution
Slow or no Forward Movement	Low or no Water Pressure	Check Filtration and Booster Pumps, Valves, Cleaner Connections. Check Cleaner Pressure. (Page 10)
No Spin-Out	Cam Not Properly Installed	Open Cam Cap. Check that Cam and Thumbscrew are Properly Installed. Close Cam Door. (Page 12)
Cleaner Does Not Reach Furthest Point in Pool	Hose Too Short	Check Hose Length (Page 7)
Hose Frequently Tangles	Floats Not Evenly Spaced	Check Floats are evenly spaced, one float 18" inches from each end and a third float in the middle, 5 feet from either end.
	Hose Too Long	Check Hose Length (Page 7)
	Spin-Out Too Long and/or Too Frequent	Check Summer/Winter Position of Cam. (Page 12) Use Spin-Out Cam with Fewer Prongs. (Page 12)
Cleaner Head Cannot Escape from Some Corners	Spin-Out Too Short	Change Cam to Winter Position. (Page 12)
Cleaner Head Rotates More Than 3/4 Turn During Spin-Out	Spin-Out Too Long	Change Cam to Summer Position. (Page 12)
Sweep Hose Sprays Out Of Pool	Sweep Hose Too Strong	Reduce Sweep Hose Power (Page 13)
Little Or No Sweep Hose Movement	Sweep Hose Too Weak	Increase Sweep Hose Power (Page 13)
	Hole In Sweep Hose	Replace Sweep Hose (P/N AX500ORSHA)
Viper Running On Side	Heavy Debris	Empty Bag
	Hose Floats Placed Incorrectly	Refer to "Sizing Pressure Hose" (Page 7)

Booster Pump

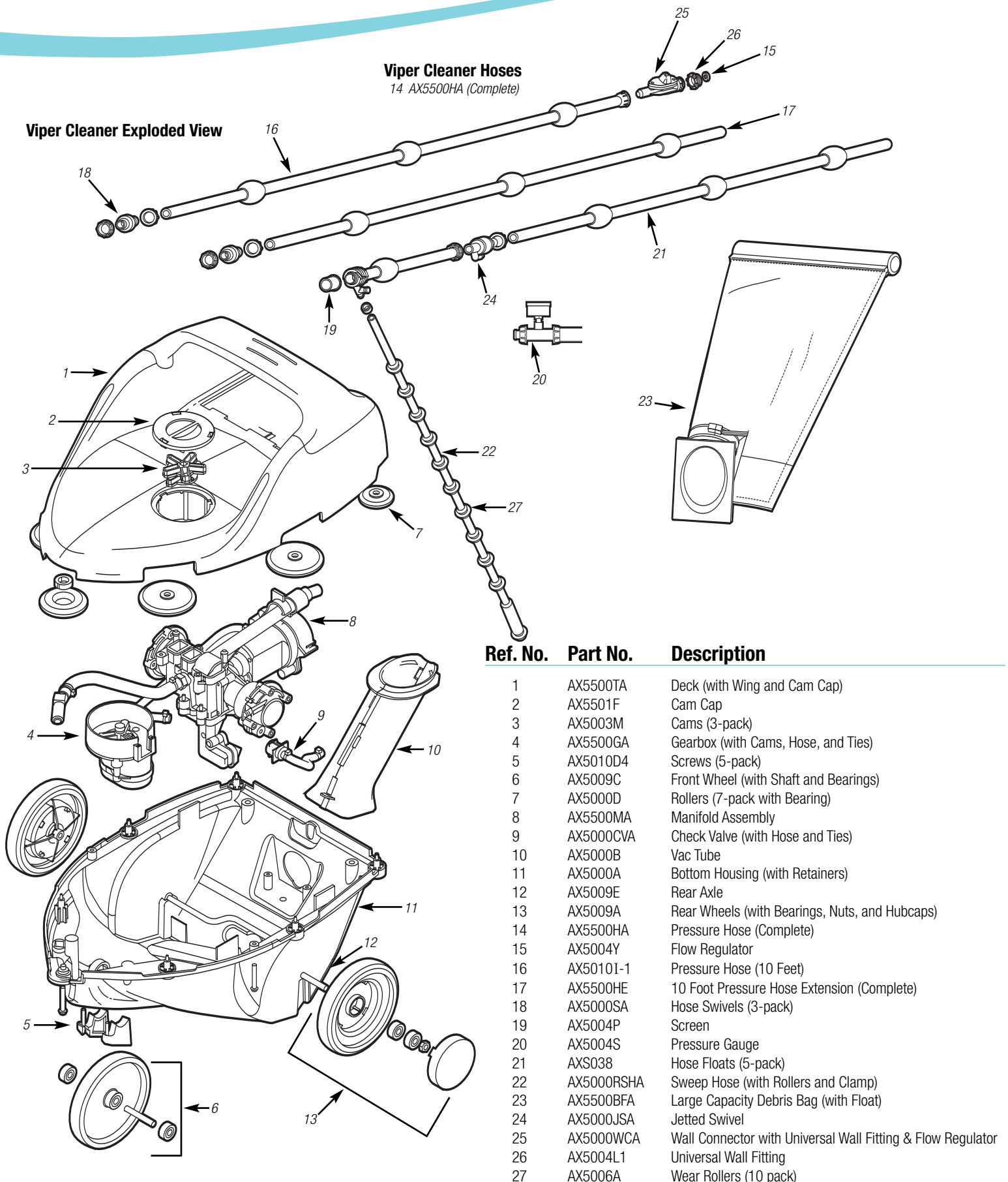


Ref. No.	Part No.	Description
1	AX5060M	Motor (3/4 HP 60 cycles)
2a	AX5060B	Seal Plate (Prior to 2004)
2b	AX5060B2	Seal Plate (2004 and beyond)
3	SPX1250XZ2C	Spring Seal with Seat
4	AX5060C	Impeller Assembly
5a	AX5060GA	Flat Gasket, Booster Pump (Prior to 2004)
5b	AX5060J	Ribbon Gasket, Booster Pump (2004 and beyond)
6	AX5060A	Volute 3/4 NPT-F
7	SPX1700FG	Pipe Plug with Gasket
8	AX5060Z2A1	Nut, Bolt and Washer Kit (6-pack)
9	AX5060RSA1	Motor Bolt with Washer Kit (4-pack)
10	AX5060P	Stem Bumper
11	AX5060D	Base
12	AX5060HKIT	Booster Pump Hose Kit
13	AX5060K	Metal Flange (Prior to 2004)
Optional	5060VKIT	(not shown) Vertical Installation Kit

Viper Parts Diagram

Viper Cleaner Hoses 14 AX5500HA (Complete)

Viper Cleaner Exploded View



Ref. No.	Part No.	Description
1	AX5500TA	Deck (with Wing and Cam Cap)
2	AX5501F	Cam Cap
3	AX5003M	Cams (3-pack)
4	AX5500GA	Gearbox (with Cams, Hose, and Ties)
5	AX5010D4	Screws (5-pack)
6	AX5009C	Front Wheel (with Shaft and Bearings)
7	AX5000D	Rollers (7-pack with Bearing)
8	AX5500MA	Manifold Assembly
9	AX5000CVA	Check Valve (with Hose and Ties)
10	AX5000B	Vac Tube
11	AX5000A	Bottom Housing (with Retainers)
12	AX5009E	Rear Axle
13	AX5009A	Rear Wheels (with Bearings, Nuts, and Hubcaps)
14	AX5500HA	Pressure Hose (Complete)
15	AX5004Y	Flow Regulator
16	AX5010I-1	Pressure Hose (10 Feet)
17	AX5500HE	10 Foot Pressure Hose Extension (Complete)
18	AX5000SA	Hose Swivels (3-pack)
19	AX5004P	Screen
20	AX5004S	Pressure Gauge
21	AXS038	Hose Floats (5-pack)
22	AX5000RSHA	Sweep Hose (with Rollers and Clamp)
23	AX5500BFA	Large Capacity Debris Bag (with Float)
24	AX5000JSA	Jetted Swivel
25	AX5000WCA	Wall Connector with Universal Wall Fitting & Flow Regulator
26	AX5004L1	Universal Wall Fitting
27	AX5006A	Wear Rollers (10 pack)

Limited Warranty

Important!

Retain Your Bill of Sale For Proof of Warranty Eligibility

To the Original Retail Consumer / Purchaser (the "PURCHASER") of the Hayward Viper Automatic Pool Cleaner (the "CLEANER").

Hayward Pool Products, Inc. ("HAYWARD") warrants the parts for One (1) year from the date of original purchase (excluding the bag and sweep hose which are normal replacement parts).

The Hayward Booster Pump is excluded in this warranty and carries its own separate warranty.

SHOULD THE CLEANER FAIL TO BE IN GOOD WORKING ORDER IN ACCORDANCE WITH THE ABOVE SCHEDULE, HAYWARD WILL AT ITS OPTION REPAIR OR REPLACE THE CLEANER OR ANY DEFECTIVE PARTS AT NO ADDITIONAL CHARGE EXCEPT AS SET FORTH BELOW. REPAIR PARTS AND REPLACEMENT PRODUCTS WILL BE FURNISHED ON AN EXCHANGE BASIS AND WILL BE NEW OR FUNCTIONALLY EQUIVALENT. ALL PARTS REMOVED AS A RESULT OF REPLACEMENT SHALL BECOME THE PROPERTY OF HAYWARD. LIABILITY OF HAYWARD AND THE SOLE REMEDY OF THE PURCHASER WHETHER IN CONTRACT UNDER ANY WARRANTY, IN TORT (INCLUDING NEGLIGENCE), IN STRICT LIABILITY OR OTHERWISE, SHALL BE LIMITED TO THE REPAIR OR REPLACEMENT OF DEFECTIVE PARTS ONLY AND SHALL IN NO EVENT EXCEED THE RETURN OF THE AMOUNT OF THE PURCHASE PRICE PAID BY THE PURCHASER.

THIS LIMITED WARRANTY IS SUBJECT TO THE FOLLOWING TERMS AND CONDITIONS:

1. This Limited Warranty shall not apply to damage caused by failure to perform normal maintenance on the CLEANER (e.g. monitoring pressure/flow and replacing a worn bag and sweep hose).
2. This Limited Warranty shall be void if the CLEANER is modified in any respect, including, but not limited to the use of any parts other than Genuine Hayward Parts.
3. This Limited Warranty shall not apply to any injury, loss, damage, defect or malfunction of the CLEANER or failure of the CLEANER to function resulting from any failure to operate or maintain the CLEANER in accordance with the directions contained in the Owner's Guide provided by HAYWARD or any injury, loss, damage, defect, malfunction or failure to function resulting from any misuse, unreasonable use, tampering, abuse, accident, act of God, alterations in the CLEANER by anyone other than HAYWARD including but not limited to such damages or injuries to parts resulting from improper installation or damage to pump parts resulting from running pump dry (e.g. interruption in or inadequate supply of water to the Booster Pump, or obstruction in lines, or otherwise); or damage, defects, or malfunctions resulting from defects in, failure or malfunction of, or negligence, abuse, or misuse with respect to equipment other than the CLEANER.
4. This Limited Warranty shall not apply to the malfunction of, damage to, materials failure in, or changes in the appearance of the CLEANER resulting from exposure to sunlight or chemicals or chemical reactions to substances with which any part of the CLEANER may come in contact or parts if worn, do not affect performance of the CLEANER.
5. This Limited Warranty does **not** apply to cleaners used for commercial purposes.
6. The CLEANER is designed to function in a properly designed, constructed and maintained pool. The Limited Warranty does **not** apply in the circumstances where the pool's design, construction or maintenance is defective, substandard or inappropriate for the CLEANER'S operation.
7. Deterioration, discoloration or brittleness of pool plaster and vinyl liners can be caused over time separately by, or in combination with, algae and an imbalance in pool water chemistry, improper installation, and other factors.

Limited Warranty

HAYWARD hereby disclaims any and all claims, and PURCHASER releases HAYWARD from any and all claims for damages to any pool plaster or vinyl liner in PURCHASER'S pool by reason of the use and/or operation of the CLEANER.

8. This Limited Warranty is valid and enforceable only on CLEANERS assembled, manufactured, or purchased and installed in the United States of America and Canada.
9. This Limited Warranty shall apply to PURCHASER as original purchaser of the CLEANER from an authorized HAYWARD dealer and shall not apply to any subsequent purchaser, assignee or other recipient of the CLEANER from the PURCHASER.
10. **This Limited Warranty does not apply unless the accompanying Registration Card is signed, completed and returned within fourteen (14) days from the date of purchase.** HAYWARD reserves the right to dispose of any Registration Card once it is received. PURCHASER must retain written proof of purchase.
11. The foregoing Limited Warranty gives the PURCHASER specific legal rights, which may vary from state to state, and accordingly, some of the listed conditions, and exclusions may not apply to PURCHASERS living in certain states.
12. Neither party will be liable to the other for any failure or delay in performance due in whole or in part to any cause beyond such party's reasonable control, including due to the elements, acts of God, acts of the other party, acts of civil or military authority, war, riots, or concerted labor action.
13. The PURCHASER has no right to sell, transfer or assign interest it has in this agreement without the prior written consent of HAYWARD. HAYWARD may, without notice, assign its interest in this agreement or any payment or other sum due hereunder without notice to or prior consent of the PURCHASER. If HAYWARD makes any such assignment, the assignee will have all of HAYWARD's rights, obligations, powers, privileges and remedies. Modification of this Agreement may only be made in writing signed by an authorized agent of HAYWARD.

Should a defect in workmanship and/or materials in the CLEANER become evident during the term of the Limited Warranty, PURCHASER must ship the item freight prepaid to any authorized Factory Service Center as soon as possible after the discovery of the defect, together **with a copy of the Bill of Sale** including date of purchase and serial number of the item claimed to be defective, the name and address of the

PURCHASER and a brief description of the problems/defects encountered. Call (800) 227-1477 for the name and address of the nearest Factory Service Center (outside the continental U.S. call (909) 594-1600. HAYWARD will at its option, repair or replace all defective CLEANER parts covered by this Limited Warranty at its own cost and expense and return the same to the PURCHASER freight prepaid. HAYWARD is not responsible for any cost and expense of handling, packing, shipping or transporting the CLEANER or any parts to or from the Factory Service Center, unless expressly provided to the contrary by state law. No dealer, distributor or other similar person has any authority to make any warranties or representations concerning HAYWARD beyond the express terms contained herein. HAYWARD assumes no responsibility for any warranties beyond the express terms contained in this Limited Warranty. This Limited Warranty is in lieu of any other warranties expressed or implied, and is valid and enforceable only in the United States of America and Canada. The PURCHASER must provide written proof of the original date of purchase of the CLEANER in form reasonably acceptable to HAYWARD.

The exclusive forum for any dispute between the PURCHASER and HAYWARD will be binding arbitration, conducted in Union County, New Jersey under the rules of the American Arbitration Association, and the prevailing party will be entitled to an award of attorney's fees and costs.

THE FOREGOING WARRANTY AND REMEDIES ARE EXCLUSIVE AND ARE MADE EXPRESSLY IN LIEU OF ALL OTHER WARRANTIES, EXPRESS OR IMPLIED, WHETHER IN FACT OR BY OPERATION OF LAW, STATUTORY OR OTHERWISE, INCLUDING WARRANTIES OF MERCHANTABILITY AND FITNESS FOR USE OR A PARTICULAR PURPOSE. HAYWARD NEITHER ASSUMES NOR AUTHORIZES ANY OTHER PERSON TO ASSUME FOR IT ANY OTHER LIABILITY IN CONNECTION WITH THE SALE, INSTALLATION OR USE OF THE CLEANER AND HAYWARD MAKES NO WARRANTY WHATSOEVER FOR EQUIPMENT NOT SUPPLIED BY HAYWARD. THE FOREGOING WARRANTY DOES NOT COVER DAMAGE TO THE CLEANER RESULTING FROM ACCIDENT, MISUSE, ABUSE, OR NON-HAYWARD MODIFICATIONS OF THE CLEANER. HAYWARD SHALL NOT BE LIABLE FOR DAMAGES DUE TO DELAYS IN DELIVERY OR USE. IN NO EVENT WILL HAYWARD BE LIABLE TO THE PURCHASER FOR ANY DAMAGES INCLUDING, BUT NOT LIMITED TO, ANY DIRECT, SPECIAL, INCIDENTAL OR CONSEQUENTIAL DAMAGES ARISING OUT OF OR RELATING TO THE SALE, INSTALLATION, OR USE OF OR INABILITY TO USE THE CLEANER, PURCHASER'S SWIMMING POOL OR FOR ANY CLAIM BY ANY OTHER PARTY.



HAYWARD®
VIPER™
High Performance Cleaner

Hayward Pool Products, Inc.

2875 Pomona Blvd.
Pomona, CA 91768

Phone: (909) 594-1600

www.haywardnet.com

Copyright © 2003 Hayward Pool Products. All Rights Reserved.