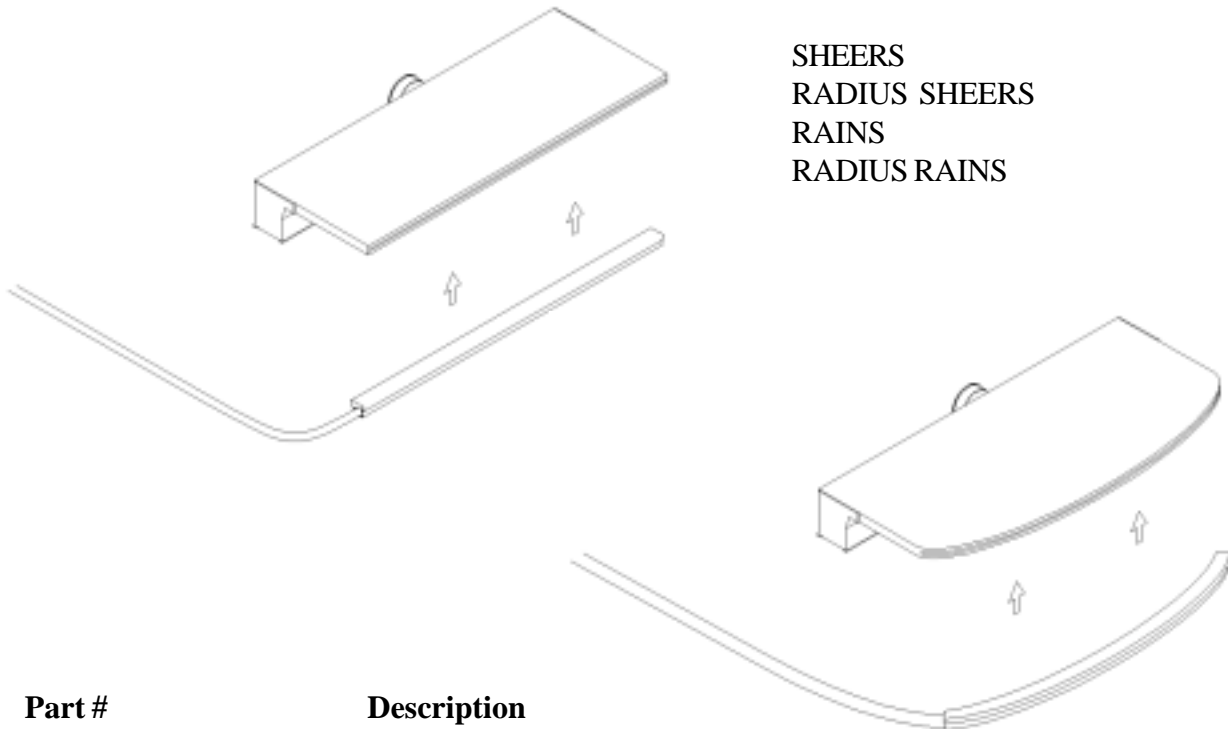


# Waterfall Light Bar Kit

## INSTALLATION MANUAL

**Attaches to any waterfall:**

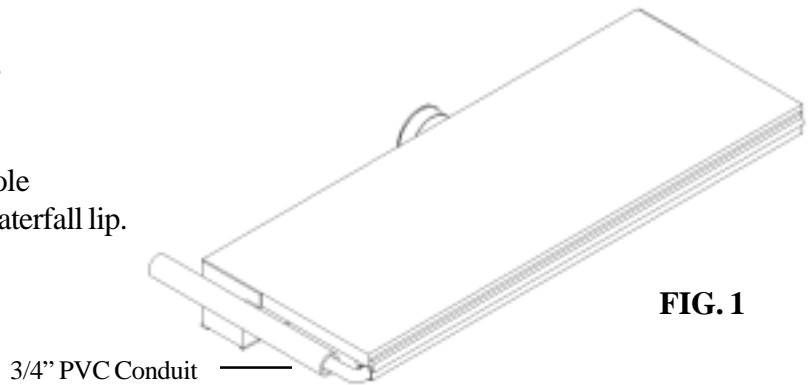
SHEERS  
RADIUS SHEERS  
RAINS  
RADIUS RAINS



Part #	Description
WLB12-25	Waterfall Light Bar, 12" wide, 25' of 25-strand fiber
WLB12-45	Waterfall Light Bar, 12" wide, 45' of 25-strand fiber
WLB18-25	Waterfall Light Bar, 18" wide, 25' of 36-strand fiber
WLB18-45	Waterfall Light Bar, 18" wide, 45' of 36-strand fiber
WLB24-25	Waterfall Light Bar, 24" wide, 25' of 50-strand fiber
WLB24-45	Waterfall Light Bar, 24" wide, 45' of 50-strand fiber
WLB36-25	Waterfall Light Bar, 36" wide, 25' of 75-strand fiber
WLB36-45	Waterfall Light Bar, 36" wide, 45' of 75-strand fiber
WLB48-25	Waterfall Light Bar, 48" wide, 25' of 100-strand fiber
WLB48-45	Waterfall Light Bar, 48" wide, 45' of 100-strand fiber

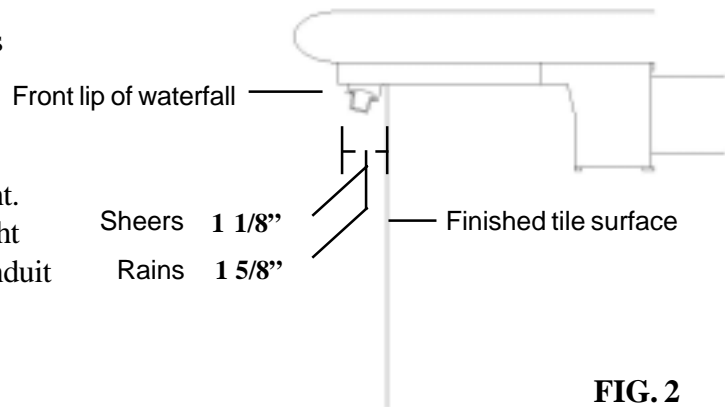
75-15041-PM  
Rev. A

For all sizes of Fiberstars Waterfall Light Bars install 3/4" PVC conduit from the left side of the fall (see Fig. 1) to the illuminator location. The conduit should be placed so the top of the hole in the conduit is even with the bottom of the waterfall lip.



**FIG. 1**

The Fiberstars Waterfall Light Bar can be installed before or after the fall is installed. **Note:** Installation of light bar on radius falls before the fall is installed is recommended. Making sure the bevel on the light bar track is angling away from the pool wall, toward the back of the water (see Fig. 2). Simply attach the light bar to the fall using clear PVC cement. Be careful not to obstruct the water flow with the light bar track or PVC cement. Pull fiber through the conduit at the waterfall back to the illuminator location.

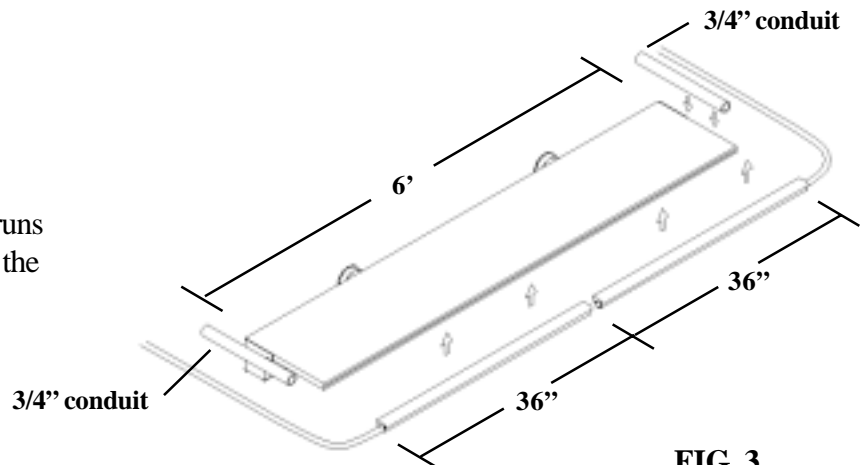


**FIG. 2**

**Important !** On sheer falls there must be 1 1/8" between the finished tile and the front lip of the fall. On Rain falls there must be 1 5/8" clearance for installation of light bar.

**Installation Tips:**

When installing multiple light bars make all fiber runs the same length to insure uniformity of light using the longest run as the guide.



**FIG. 3**

When using multiple light bars to light waterfalls longer than 48" Install two 3/4" conduits, one on each end of two waterfalls (see Fig. 3). Choose one of the two light bars. Carefully remove the light bar from track, flip the light bar so the fiber exits on the opposite side of the fall. Re-install the light bar in the track making sure all the fiber is securely inside the bar.