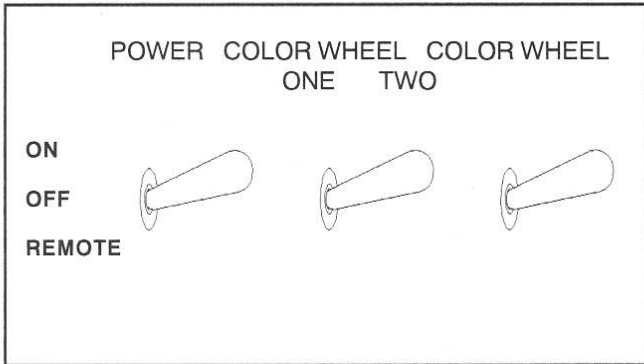


OPERATING INSTRUCTIONS

TOGGLE SWITCH POSITIONS



The receiver houses three toggle switches. For operation with the wireless transmitter the switches need to be in the DOWN or REMOTE position. For manual control or over-riding of the wireless remote the switches need to be in the UP or ON position. For the 2000 and 6000 series illuminators: set toggle switches for external auto control as shown in their respective installation manuals. For auto-synchronized models, press the color wheel "off" button on the remote transmitter before turning the power off in order to keep the units synchronized.

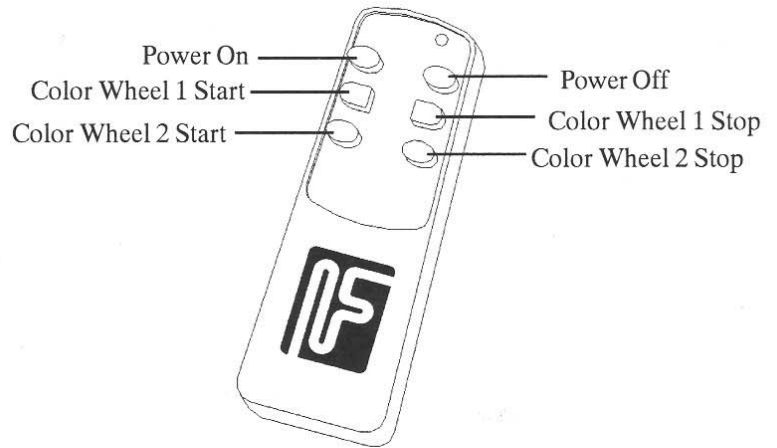
Code Adjustments

If it is necessary to change the transmission code on the RM-400, an adjustment to the receiver AND the transmitter DIP switches must be performed.

RECEIVER DIP SWITCHES- Open the enclosure. Look above the terminal block for a small cutout in the sheet metal. Refer to FIG. A to locate the DIP switch panel.

TRANSMITTER DIP SWITCHES- Slide the battery cover off and pull out the battery. Refer to FIG. B to locate the DIP switch panel.

DIP SWITCH ADJUSTMENT- The four DIP switches have an ON and an OFF position. The default position is all four OFF. Refer to FIG. C. Changing just one DIP switch to ON will change the code. **MAKE SURE BOTH THE RECEIVER AND TRANSMITTER HAVE THE SAME DIP SWITCH SETTINGS.**



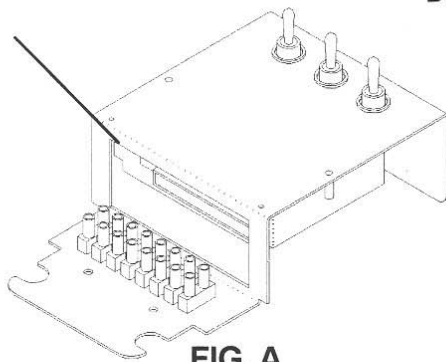
3 FUNCTION TRANSMITTER

Replacement Battery Type: Std. 9V

Lamp "Restrike"

When turning a metal halide lamp off and then turning it immediately back on, it may take 1 to 3 minutes before the lamp comes back on. This process allows the lamp to cool down and then restart.

DIP SWITCH PANEL



DIP SWITCH PANEL

