

INSTRUCTIONS: TO ELIMINATE STRAPS ON OVAL POOLS FOR THE INSTALLATION OF THE EXPANDABLE LINER

If you wish to make your deep end larger on oval pools, it will be necessary to eliminate the end straps as follows:

On one end of the 1525 you may eliminate 2 straps. The same for the 1125 oval; you may eliminate 3 straps on the 1530 oval, the 1833 oval and the 1838 oval. These will be on one end only.

Prepare pool site as shown in the regular instruction sheets and proceed up to and including step 2 on your deep swimming area installation instructions (on back).

Follow the instructions below for elimination of straps and after these straps have been installed and the ground has been leveled. Then proceed with step 3 and complete your installation:

Please remember:

- Excavation of hole should start 6" away from frame of pool.
- Use diagrams and dimensions for hole from this sheet.

On the straps to be eliminated, determine the approximate center and cut with a hacksaw in the middle. If you are off a couple of inches it will not matter.

Approximately 3" from the edge of the hold down plate, dig a hole approximately 3" below the existing sloped ground. It should be wide enough to receive the 8" cinder block. You will slope the ground gradually back to the hold down plate.

Now, insert the cut end of the strap through the cinder block as shown in figure A. Bolt the strap with 2 5/16" bolts and nuts as shown in figure A. You'll have to drill holes through the straps, if there is too much strap, you may cut more off. The bolted end of the strap when finished, should be approximately 1" from the edge of the hold down plate and well below the sloped grading.

Now place the cinder block at the bottom of the hole, making sure that the strap tapers as shown in Figure A. It is important that it be sloped properly leaving room for concrete and restoring the finished soil for the sloping.

Now pour concrete around the cinder block and strapping 1" deep, gradually reducing the concrete as the strap slopes back to the hold down plate.

After the concrete is dry, you may re-slope the grading according to the instructions and proceed with your instructions of setting up the pool.

THESE INSTRUCTIONS ARE TO BE FOLLOWED TO THE LETTER AND SHOULD BE USED BY PROFESSIONAL INSTALLERS ONLY.

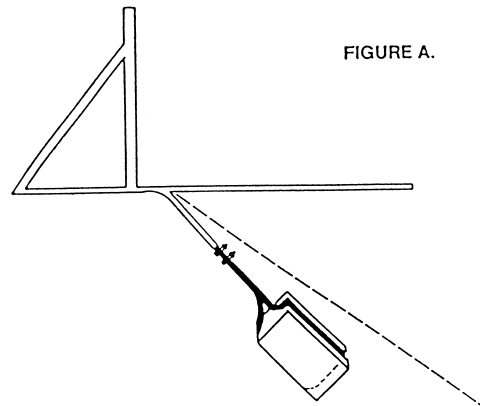
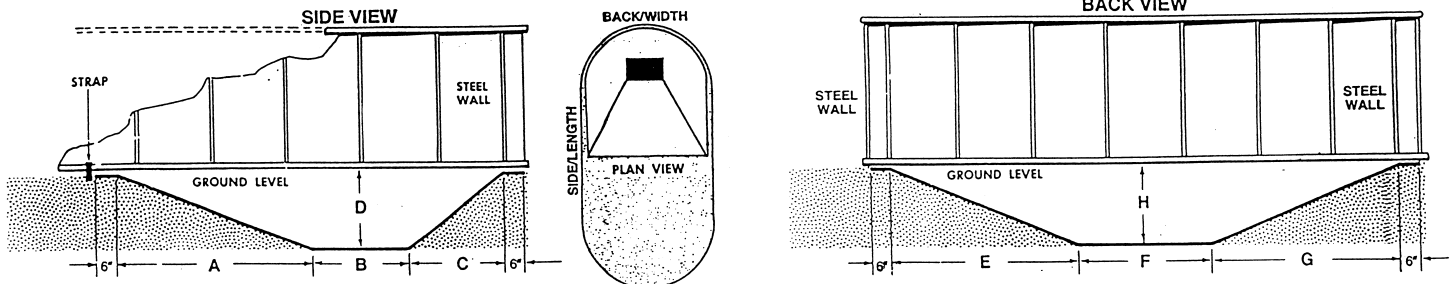


FIGURE A.



DIMENSIONS

Pool Size	A	B	C	D	E	F	G	H
1125	6'1"	2'6"	2'6"	2'6"	3'6"	2'8"	3'6"	2'6"
1525	6'7 1/2"	3'0"	3'0"	2'6"	5'2"	3'6"	5'2"	2'6"
1530	9'1/2"	3'0"	3'0"	2'6"	5'2"	3'6"	5'2"	2'6"
1833	9'8"	4'0"	2'10"	3'0"	5'11"	5'0"	5'11"	3'0"
1838	9'8"	4'0"	2'10"	3'0"	5'11"	5'0"	5'11"	3'0"

EXPANDABLE LINERS ARE DESIGNED TO IMPROVE SWIMMING ENJOYMENT WITH DEEPER WATER, NOT TO ALLOW FOR DIVING!

**ENJOY YOUR POOL SAFELY. DO NOT JUMP OR DIVE
INJURY MAY RESULT. (SHALLOW WATER!)**