

32" UNBLOCKABLE CHANNEL MAIN DRAINS



- Unblockable Safety Drain Design
- White PVC Body
- Debris Guard Included
- Color Covers for a Finished Look
- 38.79in² Open Area
- Single or Multiple Drain Use
- Seven Year Life
- Floor or Wall Installation
- Three 2" Socket × 2.5" Spigot Ports
- IAPMO Listed



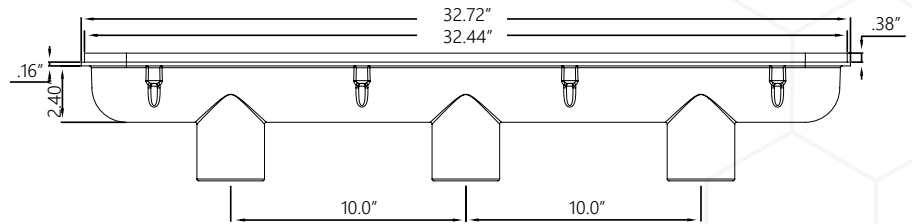
TECHNICAL GUIDE

PLUMBING PORTS FLOOR FLOW RATE WALL FLOW RATE

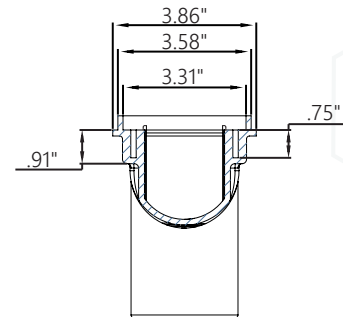
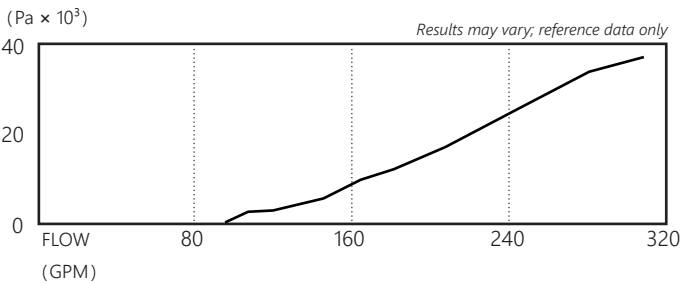
IAPMO LISTED FLOW RATES

PLUMBING	PORTS	FLOOR FLOW RATE	WALL FLOW RATE
2.5"	OUTER	308 GPM	212 GPM
2.5"	CENTER	200 GPM	168 GPM
2"	OUTER	268 GPM	192 GPM
2"	CENTER	184 GPM	176 GPM

FLOW RATE VERIFIED MAY 2011 TO CPSC TEST PROTOCOL



HEAD LOSS



ORDERING GUIDE

WHITE	GRAY	BLACK	DARK GRAY	TAN	DARK BLUE	LIGHT BLUE	DESCRIPTION	BOX QTY
32" CHANNEL MAIN DRAINS								
25506-320-000	25506-321-000	25506-324-000	25506-327-000	25506-329-000	25506-369-000	25506-359-000	DRAIN & SUMP	40
25506-320-800	25506-321-800	25506-324-800	25506-327-800	25506-329-800	25506-369-800	25506-359-800	32" COVER	20
25506-320-900	—	—	—	—	—	—	SUMP BODY	1
25506-320-100	25506-321-100	25506-324-100	25506-327-100	25506-329-100	25506-369-100	25506-359-100	COVER & FRAME	1
25620-320-000	—	—	—	—	—	—	HYDROSTATIC RELIEF VALVE	250
25520-050-020	—	—	—	—	—	—	2" NPT PLUG	450
25506-320-030	—	—	—	—	—	—	DEBRIS GUARD	—

32" CHANNEL DRAIN ACCESSORIES

ADJUSTABLE COLLAR ADAPTER

PRODUCT FEATURES

- Use for Pool Refinish & Remodel
- Adds 1/2" - 3/4"
- Fits the CMP 32" Channel Drain
- For a Perfect Drain Cover Fit and Finish



SUMP PUMP ADAPTER

PRODUCT FEATURES

- Completely & Properly Drain the Sump
- Build-in Debris Screen
- PATENT PENDING



PATENT PENDING

ORDERING GUIDE

REF	CMP P/N	DESCRIPTION	BOX QTY
32" CHANNEL DRAIN ACCESSORIES			
A	25506-320-150	ADJUSTABLE COLLAR ADAPTER	--
B	25506-320-500	SUMP PUMP ADAPTER (PATENT PENDING)	18