

SAVE THESE INSTRUCTIONS

DEALER/INSTALLER: GIVE TO HOMEOWNER

MODEL #6000

ADJUSTABLE HEAVY DUTY INPOOL LADDER 42" TO 56"

ASSEMBLY AND INSTRUCTION MANUAL



The Anti-Entrapment Barrier is included in this ladder for the U.S. and Canada only, as required by ANSI/APSP requirements.
The Anti-Entrapment Barrier is NOT intended as a substitute for competent adult supervision.
If you would like to purchase the barrier, please visit our website at: www.conferradders.com



MADE IN THE U.S.A. by:

CONFER
plastics inc.

Model #6000 Adjustable Heavy-Duty Inpool Ladder

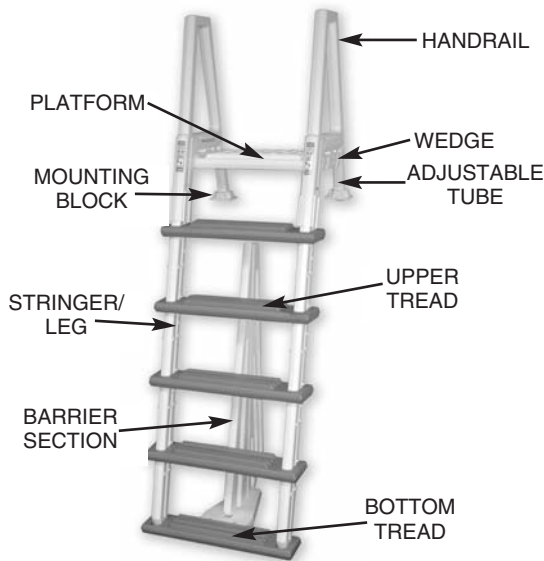
ASSEMBLY INSTRUCTIONS - PLEASE READ BEFORE ATTEMPTING ASSEMBLY

Parts List

- 2 - Handrails
- 2 - Stringers (Legs)
- 4 - Upper treads
- 1 - Bottom tread
- 1 - Platform with Wedges (See Step 4)

Hardware Pack

- 26 - #10 x 1-1/4" screws
- 2 - Mounting Blocks
- 2 - Adjustable Tubes



Tools Needed for Assembly

- * - Cordless Drill Motor
- * - 1/8" Drill Bit
- * - Phillips Screwdriver or screwdriver bits
- * - Pliers
- * - Garden Hose
- * - Liquid soap or lubricant

Barrier Parts List (if included)

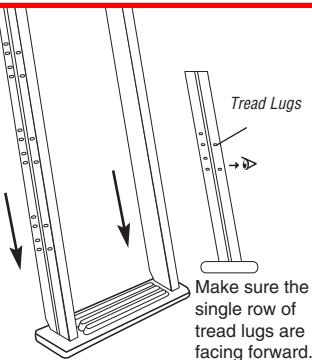
(Included in Hardware Pack)

- 4 - #10 x 1-1/4" screws
- 1 - Strip of 4 Foam Pads
- 1 - Large Barrier Section
- 1 - Small Barrier Section
- 1 - Upper Brace
- 1 - Lower Base

If missing parts call - Toll free U.S. - 866-396-2968 or www.conferradders.com

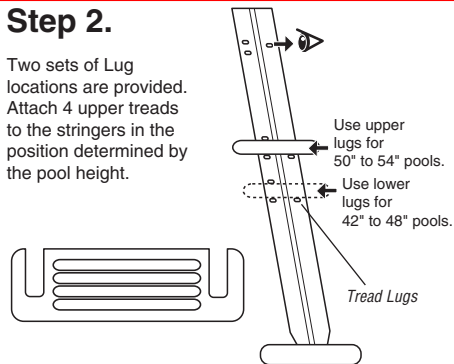
Step 1.

Snap stringers into bottom tread. If necessary lift the two stringers off the ground, with the bottom tread attached, and drop them firmly so that the stringers "snap" into the tread pockets. The bottom tread should pivot freely.



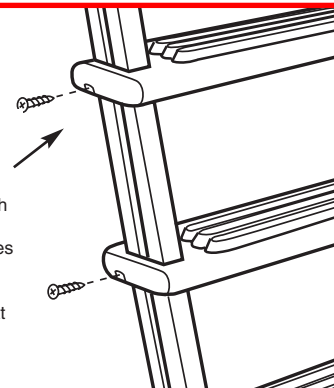
Step 2.

Two sets of Lug locations are provided. Attach 4 upper treads to the stringers in the position determined by the pool height.



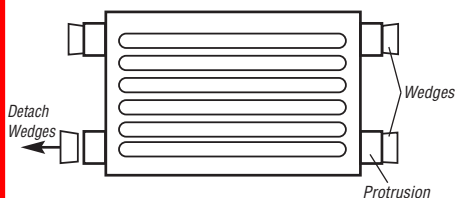
Step 3.

Secure the upper treads by driving #10 x 1-1/4" screws through the recessed, pre-drilled holes in the ends of each tread as shown. Repeat for all 4 upper treads.



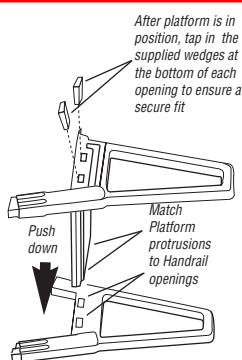
Step 4.

Using a pair of pliers twist off the wedges that are attached from the end of the platform and **SAVE** for use in step 5.



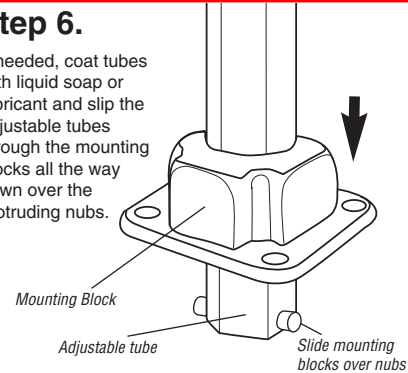
Step 5.

Assemble the platform to the handrails by laying one of the handrails on a clean hard surface. Push the protrusion of the platform into the openings of the handrail making sure that the legs of both handrails are facing in the same direction. Tap the 4 wedges (from step 4) into the sides of the handrails to secure the platform to the rails.



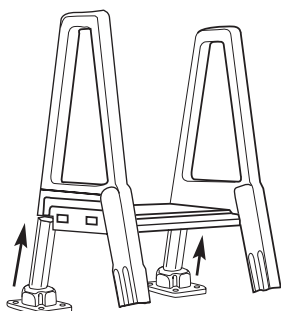
Step 6.

If needed, coat tubes with liquid soap or lubricant and slip the adjustable tubes through the mounting blocks all the way down over the protruding nubs.



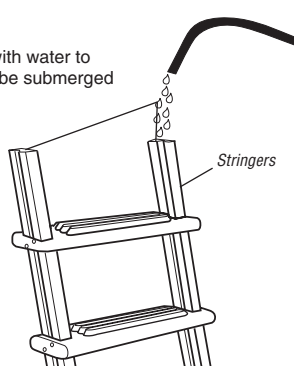
Step 7.

Push the adjustable tubes with mounting blocks into handrails.



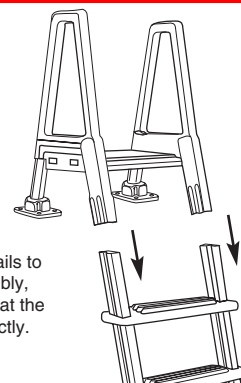
Step 8.

Fill both stringers with water to allow the ladder to be submerged in the pool.



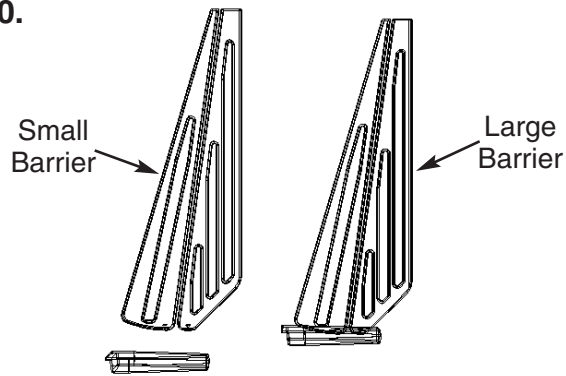
Step 9.

Attach the handrails to the ladder assembly, making certain that the treads face correctly.



If Ladder did not include Barrier, skip steps 10 through 12. Continue to step 13.

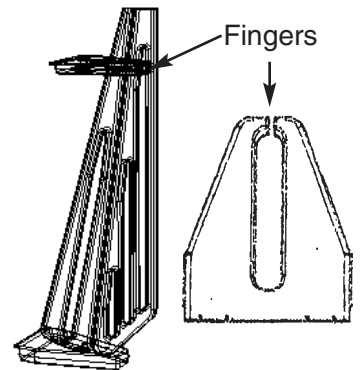
Step 10.



Snap Small and Large Barrier Sections into slots on Lower Base as shown.

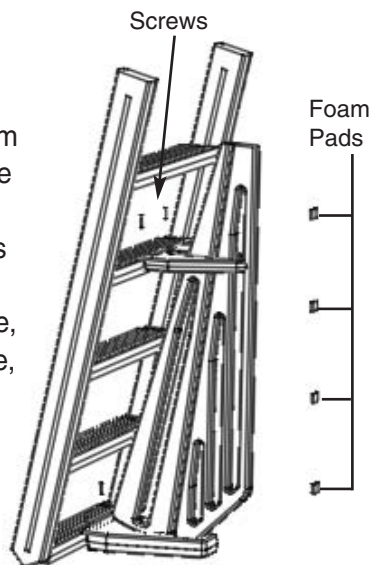
Step 11.

Separate sections at the top slightly and position Upper Brace over Small Barrier Section.
Next, spread the "fingers" on the Upper Brace into position on the Large Barrier Section as shown.



Step 12.

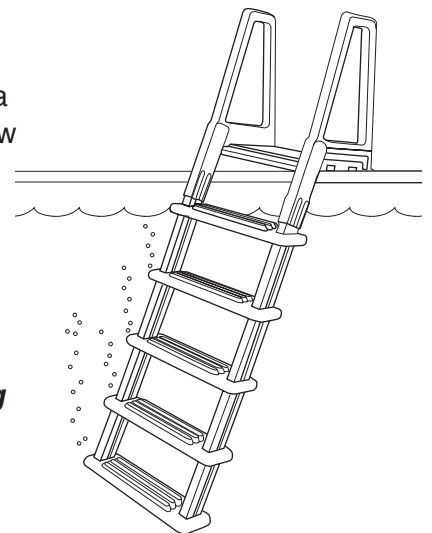
Place the Base and Brace into position, centered, on the bottom and fourth treads of the ladder. Install the four (4) #10 x 1-1/4" screws (included in hardware pack), on a slight angle, first in the Upper Brace, and then in the Lower Base as shown. Install the self-adhering foam strips to the Large Barrier Section as shown.



Step 13.

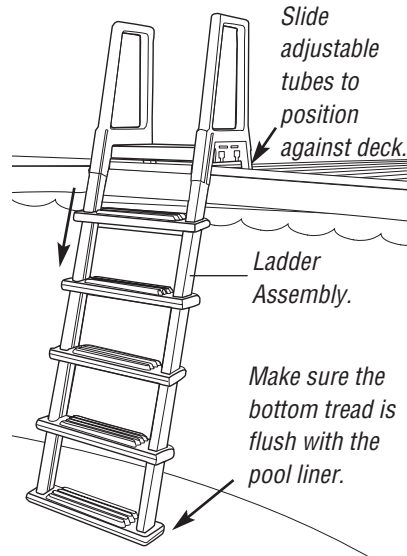
Submerge in water and tilt to a 15° angle to allow water to fill the treads.

Note: Ladder treads must fill with water to prevent floating



Step 14.

Place the ladder in the desired position on the deck and slide the ladder assembly down until the bottom tread meets the pool liner. Slide the adjustable tubes with the mounting blocks as needed to position the ladder correctly on the deck.

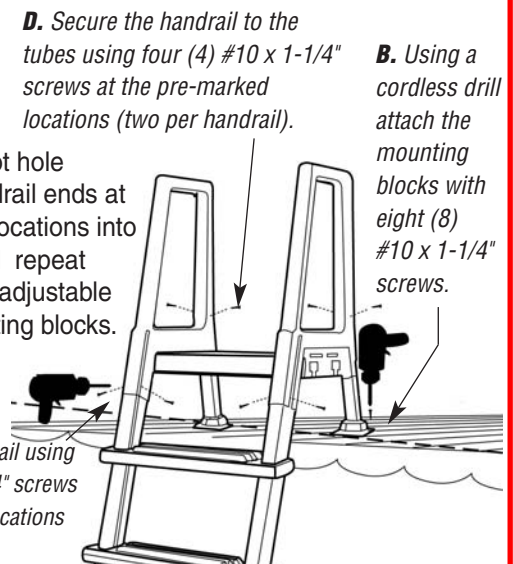


Step 15.

D. Secure the handrail to the tubes using four (4) #10 x 1-1/4" screws at the pre-marked locations (two per handrail).

C. Drill a 1/8" pilot hole through the handrail ends at the pre-marked locations into the stringers and repeat this step for the adjustable tubes and mounting blocks.

A. Secure the handrail using four (4) #10 x 1-1/4" screws at the pre-marked locations (two per handrail).



NOTE: To winterize your ladder, remove it from the pool and drain water from stringers and treads.

IMPORTANT FOR YOUR SAFETY

- * Check the contents of the carton with the Parts list for this ladder.
- * If any parts are missing call Toll Free U.S. - 866-396-2968 or visit our web site at www.conferladders.com
- * **DO NOT** attempt to assemble or install the ladder if there are **ANY** shortages of parts or hardware.
- * For proper assembly and installation follow all instructions in the sequence shown.
- * Before using the product, after assembly and installation, go over the instructions and procedures again to make sure nothing has been overlooked.
- * Be sure and safe. The manufacturer **IS NOT** responsible for improper assembly, installation and use.

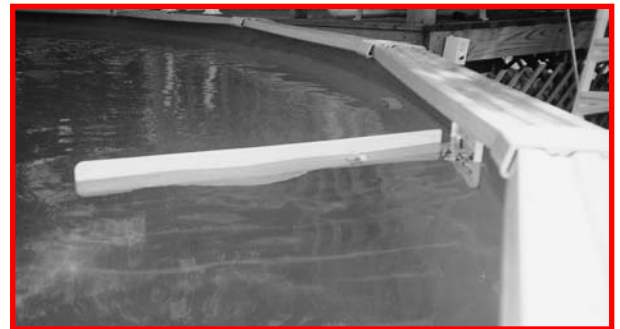
SAFETY RULES

- * One person on the ladder at a time
- * Ladder **MUST** be installed per manufacturer's instructions
- * **DANGER:** No Jumping or Diving from ladder
- * Face ladder when entering and leaving pool
- * To prevent entrapment or drowning — **DO NOT** swim through, behind or around ladder
- * Ladder to be used as a swimming pool ladder only.
- * Weight limit - **350 lbs maximum**
- * **Warning:** Exceeding the maximum weight restriction may cause the ladder to fail.
- * Consult your local Building Department before installation of your pool and equipment.
- * **DANGER:** Use a cordless drill for assembly and installation. NEVER use an electric drill in or around the pool.

ADDITIONAL ACCESSORIES MAY BE PURCHASED

6000 Extension Kit (Part # 6000-EXT) - Raises ladder to reach deck heights from 57" to approximately 68". Kit includes two extension boots, one additional ladder tread, hardware and instructions.

SKIM-IT (SKIMS OFF DEBRIS) - Cut cleaning time 75% with skimmer extension that guides debris directly into your skimmer. Fits most in-ground and above-ground pool skimmers. Corrosion-resistant plastic Skim-It installs in seconds without tools. **Order online at www.conferladders.com**



CONFER PLASTICS, INC. LIMITED, PRO-RATED WARRANTY

Confer Plastics, Inc. warrants their swimming pool ladders to be free from defects in workmanship for one year from date of purchase. After the first year the cost to replace a part is as follows:

MODEL #6000B

2 nd Year - 20%	}	of current parts list price
3 rd Year - 40%		
4 th Year - 60%		
5 th Year - 80%		
Plus shipping/handling		

DO NOT RETURN DEFECTIVE PART TO DEALER

The defective part should be returned, postpaid, to:
Confer Plastics, Inc.
97 Witmer Road
North Tonawanda, N.Y. 14120-2421

Enclose proof-of-purchase (receipts, etc.) showing date purchased, your name, address, and daytime phone number. You will be notified of cost to replace part.

This warranty gives you specific legal rights, and you may also have other rights which may vary from state to state.

MADE IN THE U.S.A. by:



97 Witmer Road
North Tonawanda, New York 14120-2421
Toll Free U.S. 866-396-2968
716-283-1826/ FAX 716-283-3249
www.conferladders.com