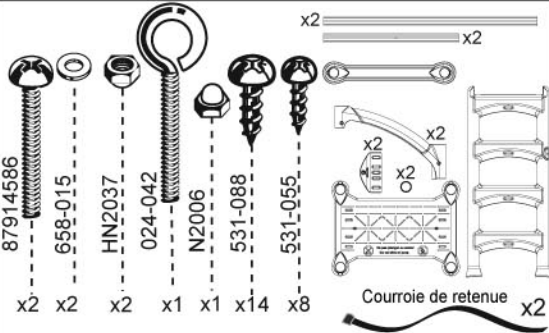


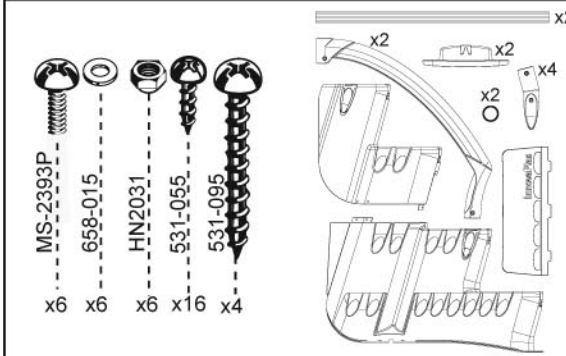
CLASSIC LADDER

Assembly with BILT MOR

Content of the ladder box



Content of the Builtmore box



Sand (not included)

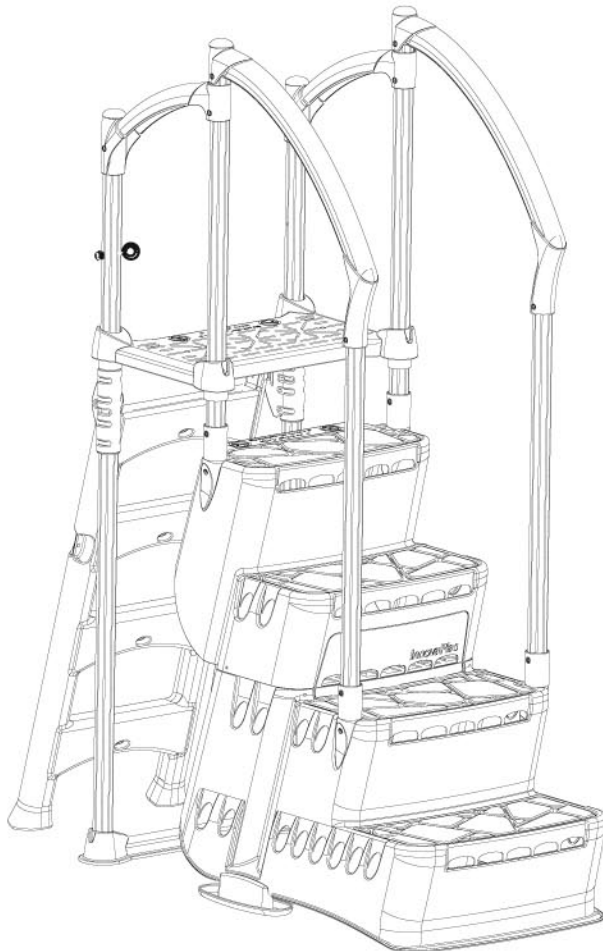
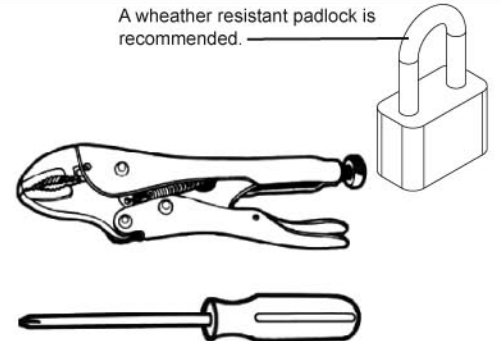


⚠ WARNING

- ◆ Do not dive or jump from step or ladder.
- ◆ Use BATTERY operated tools to avoid electric shocks.
- ◆ Install step on flat surface, following the manufacturers instructions.
- ◆ Remove step from pool during freezing climate season.
- ◆ Manufacturer cannot be held responsible for injuries caused by abusive use of product.
- ◆ Ask your city about specific regulations that apply to your aboveground pool and ladder.

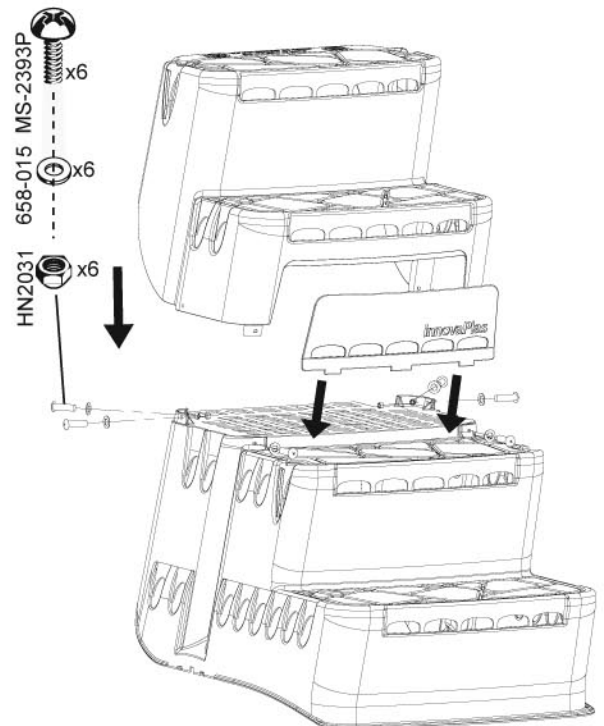
Required tools and supplies(not included)

A weather resistant padlock is recommended.



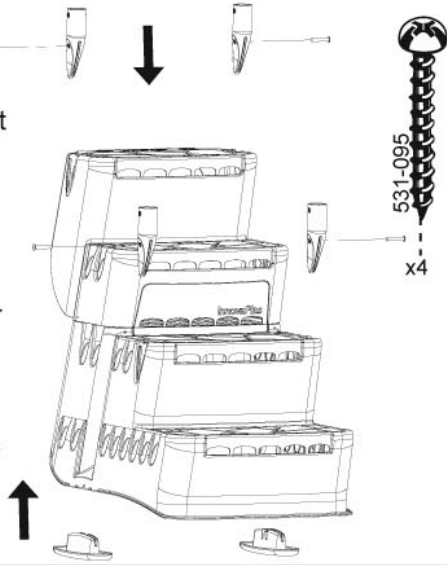
A

1) Assemble the two main modules with the six screws, nuts and washers provided.



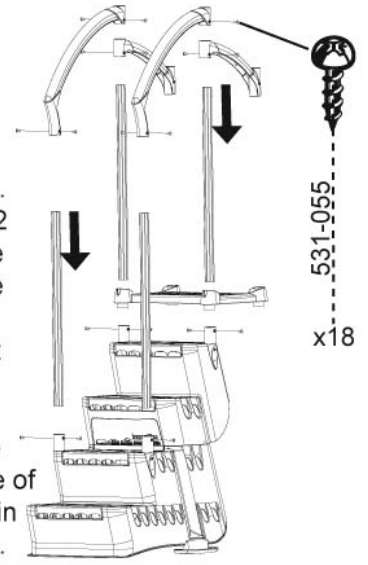
B

- 1) Insert the four post ends into the step making sure that the cylindrical part is vertical and that the ends are placed and fitted properly in their respective housings.
- 2) Use the four screws provided to secure the post ends in place.



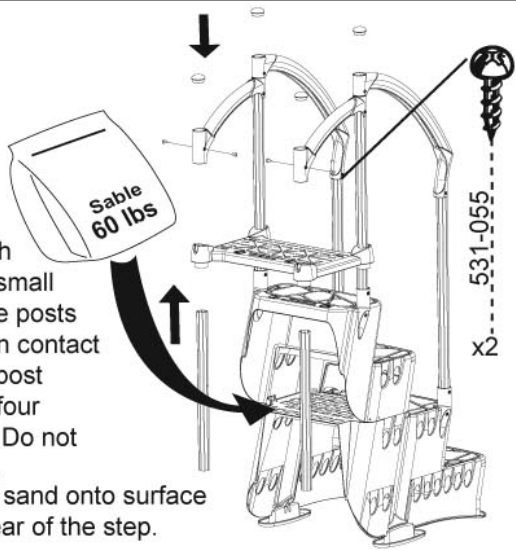
C

- 1) Insert the four posts into the post ends and secure them in place with the screws provided.
- 2) Insert the platform over the 2 rear posts making sure that the **No Diving!** sticker is facing the step.
- 3) Insert the small handrail first without securing it. Insert the large hand rail next securing it with the screws provided. Place the small hand rails at the base of the large hand rail and secure in place with the screws provided.



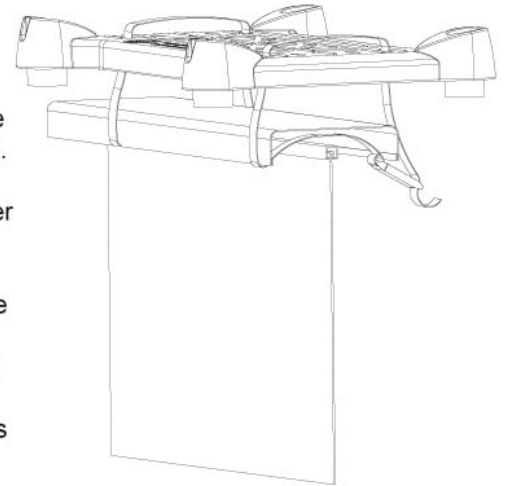
D

- 1) Install the four post covers.
- 2) Slide the two small post through the platform and small hand rails. Secure posts to hand rails when contact is made with the post covers using the four screws provided. Do not secure platform.
- 3) Insert a bag of sand onto surface provided at the rear of the step.



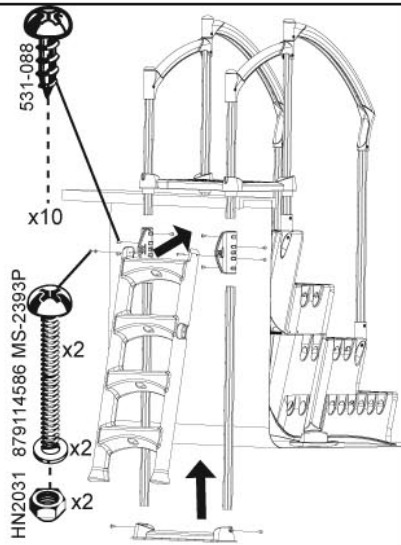
E

- 1) Slowly submerge the Step in the pool. Make sure you do not damage the liner in the process.
- 2) Once the step is in the pool secure the platform to the top seat of the pool (see illustration) using the two straps provided.

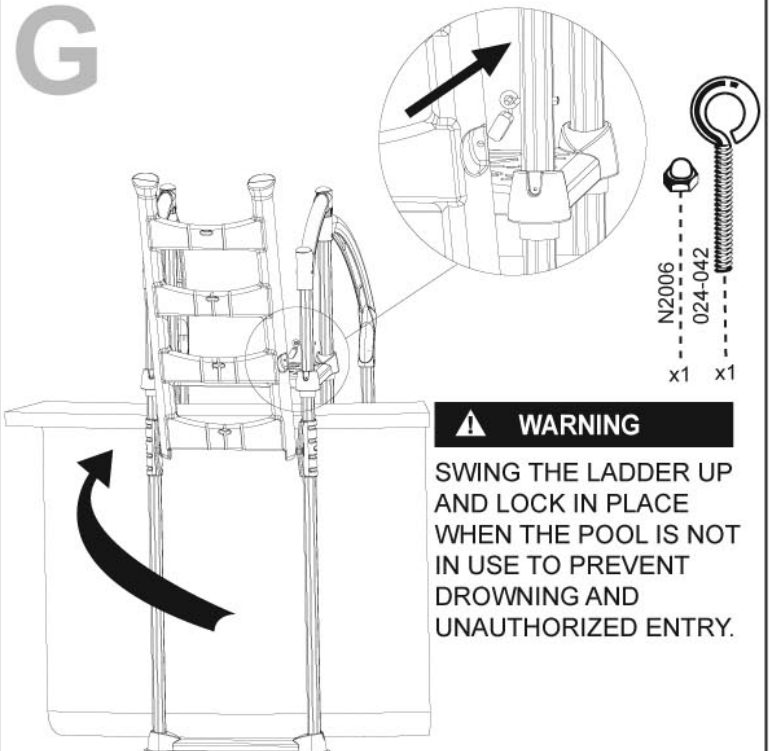


F

- 1) Assemble the two remaining posts through the pivot arms and the ladder base using the screws provided.
- 2) Assemble the ladder to the pivot arms with the screw, bolts and washers provided.
- 3) Finish the assembly by adjusting the platform to the height of your pool top seat and secure in place with the screws provided.



G



InnovaPlas
Products

MANUFACTURER WARRANTY

2 Years on the step and ladder
1 year on the hardware

101, Industrial Boul.
Bromptonville (Quebec),
Canada J0B 1H0

Ref. : 100-T-E 05/02/11