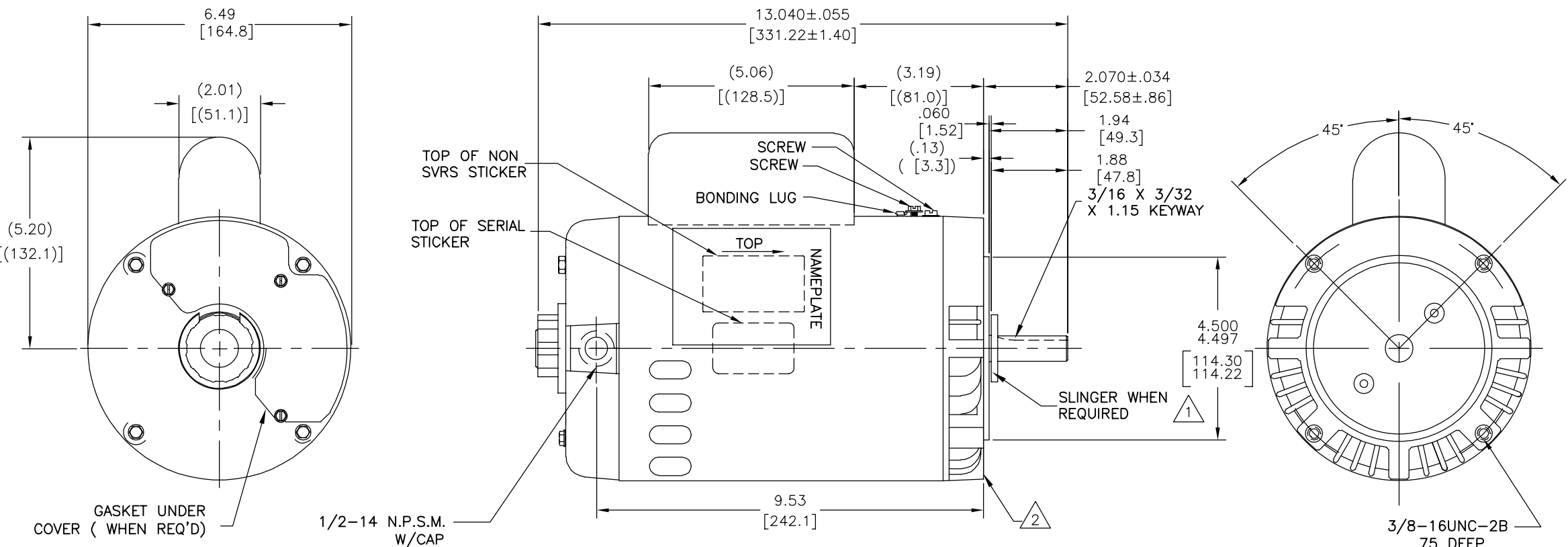


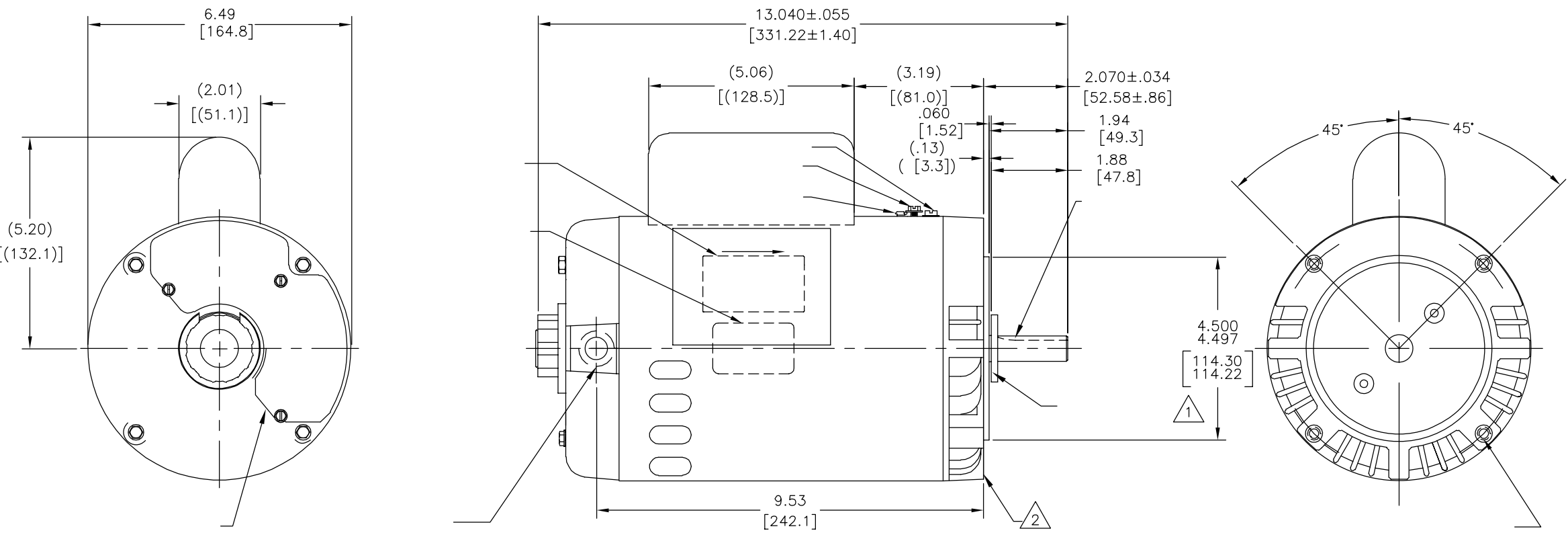
REV	ECO	REV BY	DATE	APPD	DATE
D	0021387	P.ZHU	07-05-2011	B.SHEN	07-05-2011



NAMEPLATE DATA	EXTERNAL CONNECTION DIAGRAM	NOTES
MODEL: 177063 CUST PN: B978 HP: 2.0-2.5 SF: 1.20 ROT: CCWPE RPM: 3450/1725 TYPE: CXPM CODE: G FORM: KJM FRAME: P 56 C VOLTS: 230 AMPS: MAX AMPS: SF AMPS: 10.6/3.2 PH: 1 HZ: 60 INS: B AMB: 40°C DUTY: CONT ENCLOSURE: ODP THERMALLY PROTECTED	<p>MOTOR CONNECTION WITH/OUT TOGGLE SWITCH</p> <p>MOTOR CONNECTION WITH TOGGLE SWITCH</p>	1. PILOT DIAMETER IS CONCENTRIC WITH SHAFT CENTERLINE WITHIN .004 T.I.R. 2. FACE OF MOUNTING FLANGE IS PERPENDICULAR TO SHAFT CENTERLINE WITHIN .004 T.I.R. 3. SHAFT RUNOUT NOT TO EXCEED .002 T.I.R. 4. FOR THREADED SHAFT EXT. MATING PARTS SHOULD BE RELIEVED ON THREAD TO CLEAR FILLET.

PERFORMANCE CURVE	APPROVED SAMPLE	GEOMETRIC CHARACTERISTICS & SYMBOLS ▽ FLATNESS — STRAIGHTNESS ⊥ ANGULARITY ⊥ PERPENDICULARITY (SQUARENESS) // PARALLELISM ○ ROUNDNESS (CIRCULARITY) ∅ CYLINDRICITY △ PROFILE OF ANY SURFACE ∩ PROFILE OF ANY LINE ↑ RUNOUT ⊕ TRUE POSITION ⊙ CONCENTRICITY = SYMMETRY	UNLESS OTHERWISE SPECIFIED DIM. TOLERANCES ARE AS FOLLOWS: INCH X XX XXX XXXX ±.1 ±.02 ±.005 ±.0005 mm ±0.5 ±0.13 ±0.013 ANG. ±.50 DEG REMOVE BURRS & BREAK SHARP EDGES: INCH .003-.015 mm 0.1-0.4 CORNER FILLETS TO: INCH .020 mm 0.5 MACHINE SURFACES: INCH 125 mm 3.2 METRIC DIMS. SHOWN IN [BRACKETS]	DR BY: TOM ZHAO 07-10-2006 APPD: TDT 07-11-2006 EDS DATE 02-22-2008 FORMAT REV F	AC Smith Innovation has a name. ELECTRICAL PRODUCTS COMPANY A DIVISION OF A. O. SMITH CORPORATION
16334615	CSA		DESCRIPTION: OUTLINE SIZE: C DWG NO: B978 SCALE: NONE SHEET: 1	CONFIDENTIAL: THIS DRAWING AND ITS INFORMATION ARE THE EXCLUSIVE AND CONFIDENTIAL PROPERTY OF A.O. SMITH CORP. AND ARE NOT TO BE DISCLOSED, DUPLICATED, DISTRIBUTED OR OTHERWISE USED WITHOUT THE WRITTEN CONSENT OF A.O. SMITH CORP. -ALL RIGHTS RESERVED. ASME Y14.5M 1994	

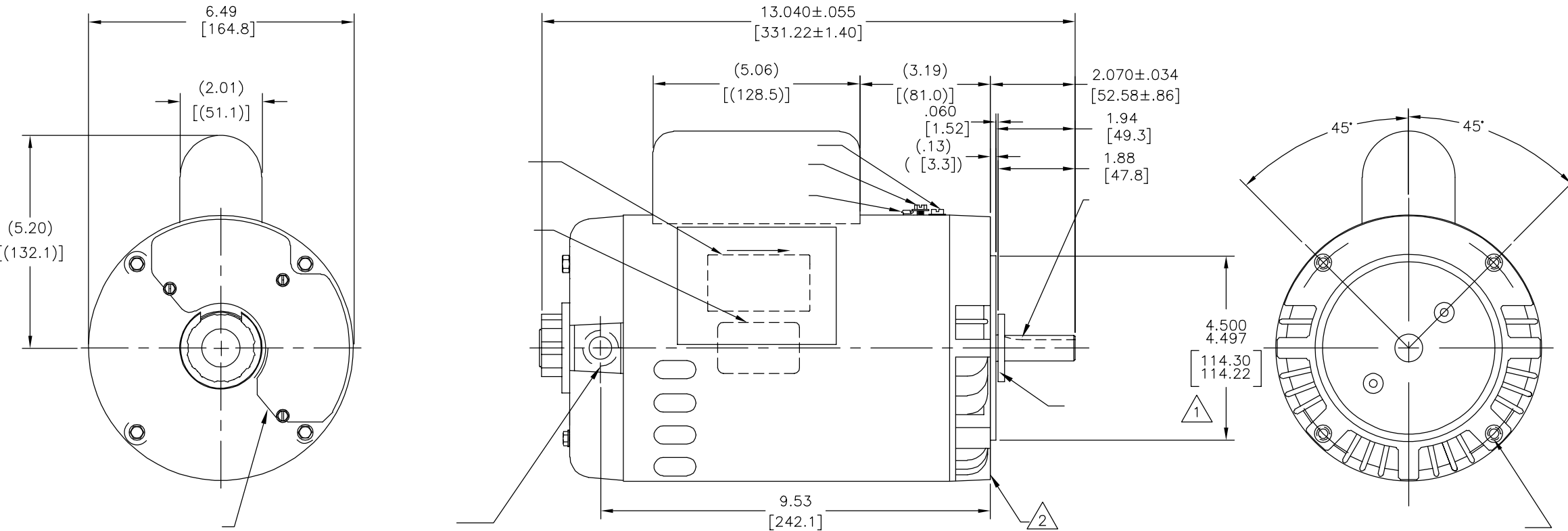
REVISION:	ECO	REVISADO POR:	FECHA:	APROBADO POR:	FECHA:
D	0021387	P.ZHU	07-05-2011	B.SHEN	07-05-2011



NAMEPLATE DATA	EXTERNAL CONNECTION DIAGRAM	NOTES
MODEL: 177063 CUST PN: B978 HP: 2.0-2.5 SF: 1.20 ROT: CCWPE RPM: 3450/1725 TYPE: CXPM CODE: G FORM: KJM FRAME: P 56 C VOLTS: 230 AMPS: MAX AMPS: SF AMPS: 10.6/3.2 PH: 1 HZ: 60 INS: B AMB: 40°C DUTY: CONT ENCLOSURE: ODP THERMALLY PROTECTED		1. PILOT DIAMETER IS CONCENTRIC WITH SHAFT CENTERLINE WITHIN .004 T.I.R. 2. FACE OF MOUNTING FLANGE IS PERPENDICULAR TO SHAFT CENTERLINE WITHIN .004 T.I.R. 3. SHAFT RUNOUT NOT TO EXCEED .002 T.I.R. 4. FOR THREADED SHAFT EXT. MATING PARTS SHOULD BE RELIEVED ON THREAD TO CLEAR FILLET.

PERFORMANCE CURVE	APPROVED SAMPLE	CARACTERISTICAS DE GEOMETRIA Y SIMBOLOS Z PLANICIDAD - RECTITUD < ANGULARIDAD ⊥ PERPENDICULARIDAD (A ESCUADRA) // PARALELISMO ○ REDONDEZ (CIRCULARIDAD) ∅ CILINDRICIDAD △ PERFIL DE CUALQUIER SUPERFICIE ∇ PERFIL DE CUALQUIER LINEA † VARIACION ⊕ POSICION REAL ⊙ CONCENTRICIDAD = SIMETRIA	A MENOS QUE SE ESPECIFIQUE DE OTRA MANERA, LAS TOLERANCIAS DE LAS DIMS; SON LAS SIGUIENTES: PULG ±.1 ±.02 ±.005 ±.0005 mm ±0.5 ±0.13 ±0.013 ANG. ±.50 GRADOS ELIMINAR REBABAS Y ORILLAS FILOSAS DEL BORDE. PULG .003-.015 mm 0.1-0.4 FILETEAR ESQUINA: PULG .020 mm 0.5 MAQUINAR SUPERFICIES PULG 125 mm 3.2 DIMS METRICAS MOSTRADAS [PARENTESIS]	DIBUJADO POR: TOM ZHAO APROBADO POR: TDT TERCER ANGULO DE PROYECCION CONFIDENCIAL: ESTE DIBUJO Y SU INFORMACION SON PROPIEDAD DE USO EXCLUSIVO Y CONFIDENCIAL DE A.O.SMITH CORP. Y NO DEBERAN SER REVELADOS, DUPLICADOS, DISTRIBUIDOS O USARSE DE OTRA MANERA SIN EL CONSENTIMIENTO ESCRITO DE A.O. SMITH CORP. -TODOS LOS DERECHOS RESERVADOS.ASME Y14.5M 1994	07-10-2006 07-11-2006 FECHA EDS: 02-22-2008 REV. FORMATO: F	ELECTRICAL PRODUCTS COMPANY A DIVISION OF A. O. SMITH CORPORATION	DESCRIPCION: OUTLINE TAMAÑO: C NUMERO DE DIBUJO: B978 ESCALA: NONE HOJA: 1
16334615	CSA						
FILE#	CCN#	FILE#	GUIDE#				
PENDING	PENDING	LR4642	4211-01				
CUSTOMER	DISTRIBUTION						

版本	ECO	编制	日期	批准	日期
D	0021387	P.ZHU	07-05-2011	B.SHEN	07-05-2011



NAMEPLATE DATA	EXTERNAL CONNECTION DIAGRAM	NOTES
MODEL: 177063 CUST PN: B978 HP: 2.0-2.5 SF: 1.20 ROT: CCWPE RPM: 3450/1725 TYPE: CXPM CODE: G FORM: KJM FRAME: P 56 C VOLTS: 230 AMPS: MAX AMPS: SF AMPS: 10.6/3.2 PH: 1 HZ: 60 INS: B AMB: 40°C DUTY: CONT ENCLOSURE: ODP THERMALLY PROTECTED		1. PILOT DIAMETER IS CONCENTRIC WITH SHAFT CENTERLINE WITHIN .004 T.I.R. 2. FACE OF MOUNTING FLANGE IS PERPENDICULAR TO SHAFT CENTERLINE WITHIN .004 T.I.R. 3. SHAFT RUNOUT NOT TO EXCEED .002 T.I.R. 4. FOR THREADED SHAFT EXT. MATING PARTS SHOULD BE RELIEVED ON THREAD TO CLEAR FILLET.

PERFORMANCE CURVE	APPROVED SAMPLE	形位公差 □ 平面度 ⊥ 垂直度 ∠ 倾斜度 // 平行度 ○ 圆度 ⊙ 圆柱度 ⌒ 面轮廓度 ⊖ 线轮廓度 ⊕ 圆跳动 ⊕ 位置度 ⊕ 同轴度 = 对称度	除另有注明 尺寸公差如下: 英寸 X XX XXX XXXX 毫米 ±.1 ±.02 ±.005 ±.0005 ±0.5 ±0.13 ±0.013 角度 ±.50 度 清理毛刺和尖棱 英寸 .003-.015 毫米 0.1-0.4 内圆角 英寸 .020 毫米 0.5 表面粗糙度 英制 125 米制 3.2 米制尺寸显示在 []	绘图: TOM ZHAO 批准: TDT 第三角投影	07-10-2006 07-11-2006 图纸格式发布日期 02-22-2008 图纸格式版本 F	名称 OUTLINE
16334615	CSA			机密: 本图纸及相关信息所有权归A. O. SMITH公司所有。 未经A. O. SMITH公司书面授权, 不得泄露、复制、传播或作 其他用途。一版权所有	图幅 C 图号 B978	
UL COMPONENT	CSA		ASME Y14.5M 1994	比例 NONE	页号 1	
FILE# CCN# FILE# GUIDE#						
PENDING PENDING LR4642 4211-01						
CUSTOMER	DISTRIBUTION					

AC Smith **ELECTRICAL PRODUCTS COMPANY**
Innovation has a name. A DIVISION OF A. O. SMITH CORPORATION

名称: OUTLINE

图幅: C 图号: B978

比例: NONE 页号: 1