

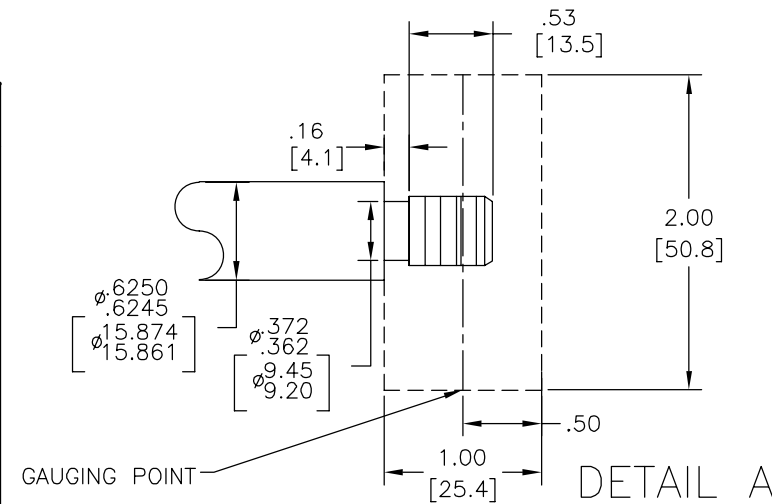
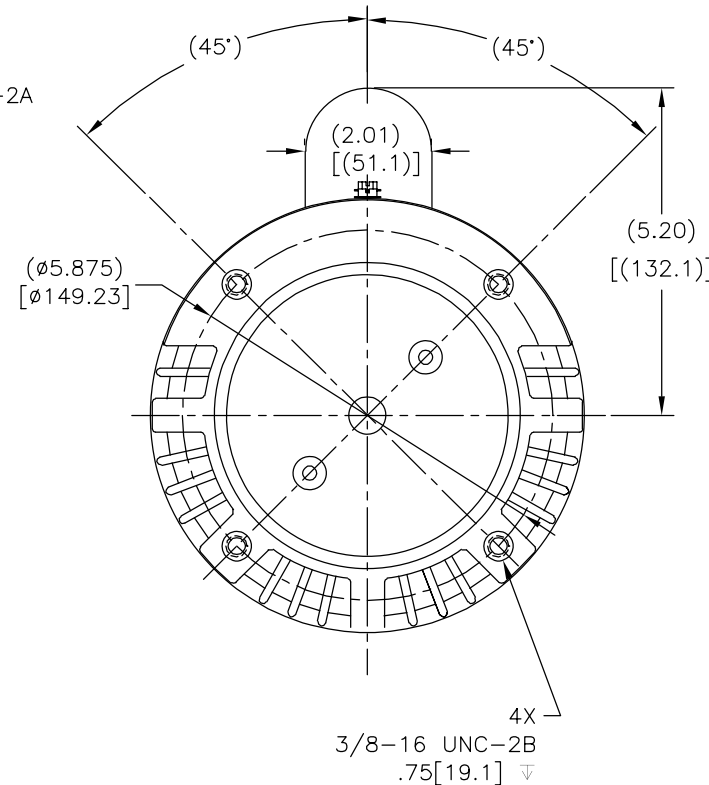
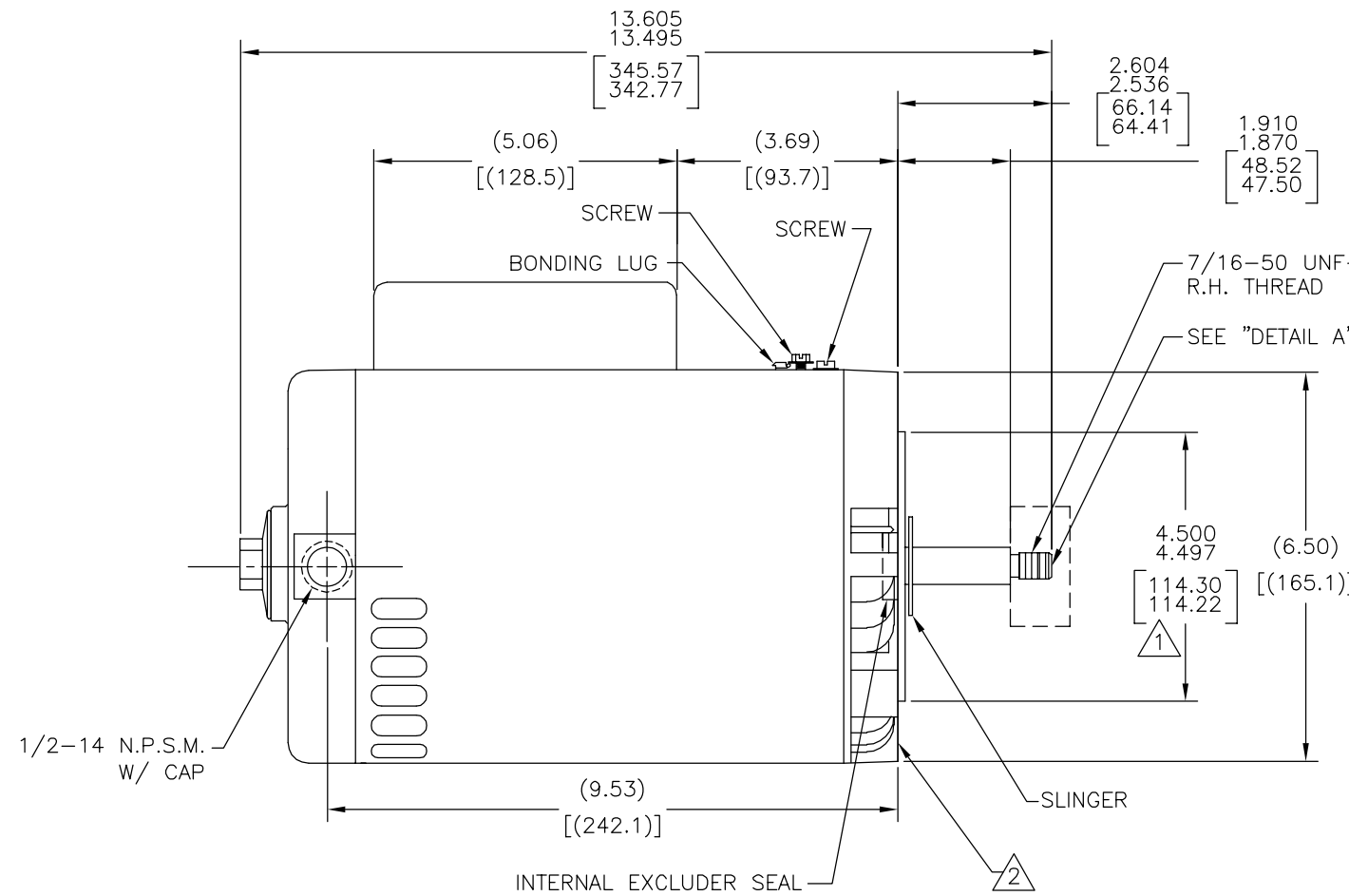
4

3

2

1

REV	ECO	REV BY	DATE	APPD	DATE
F	0025533	E.SINECIO	04-24-2012	R.RASCON	04-24-2012



NAMEPLATE DATA	EXTERNAL CONNECTION DIAGRAM	NOTES												
MODEL: 165122 CUST PN: B796 HP: 1.5 SF: 1.30 ROT: CW RPM: 3450 TYPE: CX CODE: G FORM: FRAME: P 56 J VOLTS: 208-230/115 AMPS: MAX AMPS: SF AMPS: 8.7-7.8/15.6 PH: 1 HZ: 60 INS: B AMB: 50°C DUTY: CONT ENCLOSURE: ODP THERMALLY PROTECTED	<table border="1"> <tr> <td>LOW VOLTAGE</td> <td>HIGH VOLTAGE</td> </tr> <tr> <td>BROWN → B</td> <td>WHITE → B</td> </tr> <tr> <td>→ L1 LINE</td> <td>→ L1 LINE</td> </tr> <tr> <td>WHITE → L2 LINE</td> <td>→ L2 LINE</td> </tr> <tr> <td>→ A</td> <td>BROWN → A</td> </tr> <tr> <td colspan="2" style="text-align: center;">NON-REVERSIBLE</td> </tr> </table>	LOW VOLTAGE	HIGH VOLTAGE	BROWN → B	WHITE → B	→ L1 LINE	→ L1 LINE	WHITE → L2 LINE	→ L2 LINE	→ A	BROWN → A	NON-REVERSIBLE		<ol style="list-style-type: none"> PILOT DIAMETER IS CONCENTRIC WITH SHAFT ± WITHIN .004[.10] T.I.R. FACE OF MOUNTING FLANGE IS PERPENDICULAR TO SHAFT ± WITHIN .004[.10] T.I.R. SHAFT RUNOUT NOT TO EXCEED .002[.05] T.I.R. END PLAY NOT TO EXCEED .010[.25] MEASURED WITH NO THRUST
LOW VOLTAGE	HIGH VOLTAGE													
BROWN → B	WHITE → B													
→ L1 LINE	→ L1 LINE													
WHITE → L2 LINE	→ L2 LINE													
→ A	BROWN → A													
NON-REVERSIBLE														

PERFORMANCE CURVE	APPROVED SAMPLE	GEOMETRIC CHARACTERISTICS & SYMBOLS ▽ FLATNESS — STRAIGHTNESS ∠ ANGULARITY ⊥ PERPENDICULARITY (SQUARENESS) // PARALLELISM ○ ROUNDNESS (CIRCULARITY) ∅ CYLINDRICITY △ PROFILE OF ANY SURFACE ∩ PROFILE OF ANY LINE ↗ RUNOUT ⊕ TRUE POSITION ⊙ CONCENTRICITY = SYMMETRY	UNLESS OTHERWISE SPECIFIED DIM. TOLERANCES ARE AS FOLLOWS: INCH X XX XXX XXXX ±.1 ±.02 ±.005 ±.0005 mm ±0.5 ±0.13 ±0.013 ANG. ±.50 DEG REMOVE BURRS & BREAK SHARP EDGES: INCH .003-.015 mm 0.1-0.4 CORNER FILLETS TO: INCH .020 mm 0.5 MACHINE SURFACES: INCH 125 mm 3.2	DR BY: KHR	09-02-2005	DESCRIPTION MODEL-CFHP-56FR OUTLINE
16380711	CSA			THIRD ANGLE PROJECTION EDS DATE 02-22-2008 FORMAT REV G	CONFIDENTIAL: THIS DRAWING AND ITS INFORMATION ARE THE EXCLUSIVE AND CONFIDENTIAL PROPERTY OF REGAL-BELOIT CORPORATION AND ARE NOT TO BE DISCLOSED, DUPLICATED, DISTRIBUTED OR OTHERWISE USED WITHOUT THE WRITTEN CONSENT OF REGAL-BELOIT CORPORATION. -ALL RIGHTS RESERVED.	
UL COMPONENT	CSA	ASME Y14.5M 1994	METRIC DIMS. SHOWN IN [BRACKETS]	SCALE NONE	SHEET 1	

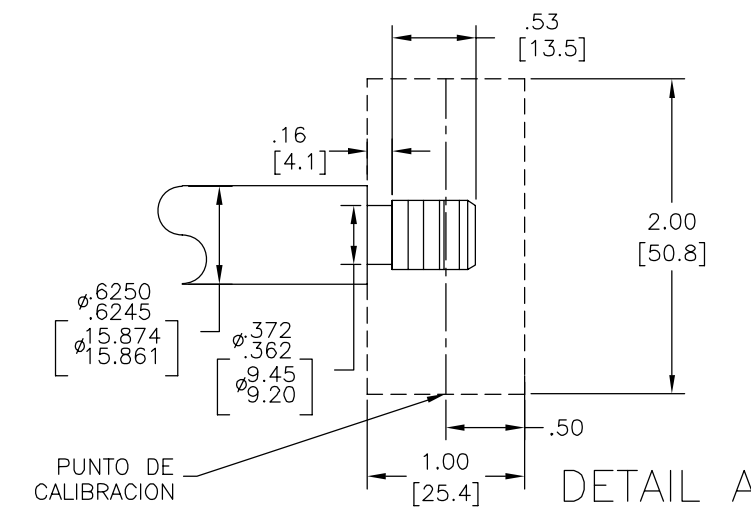
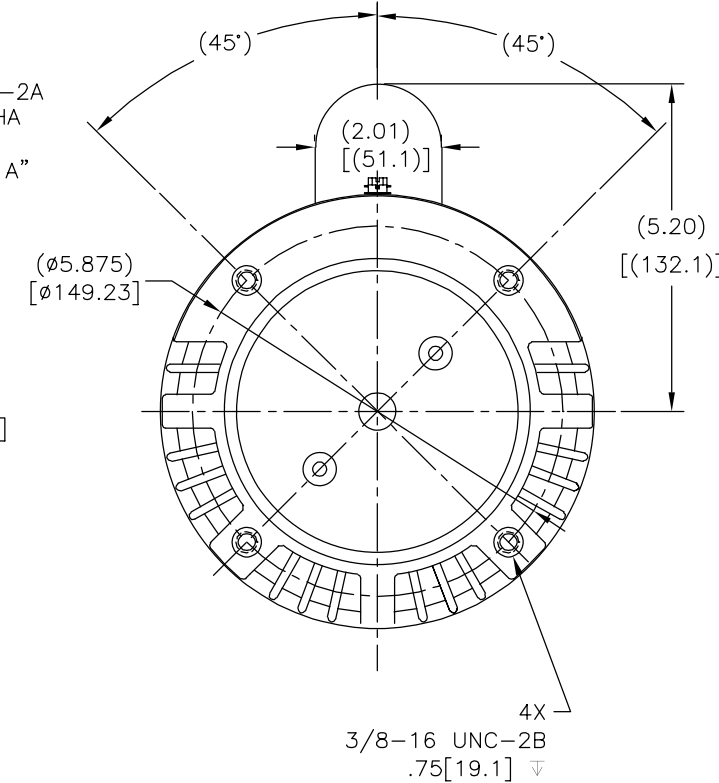
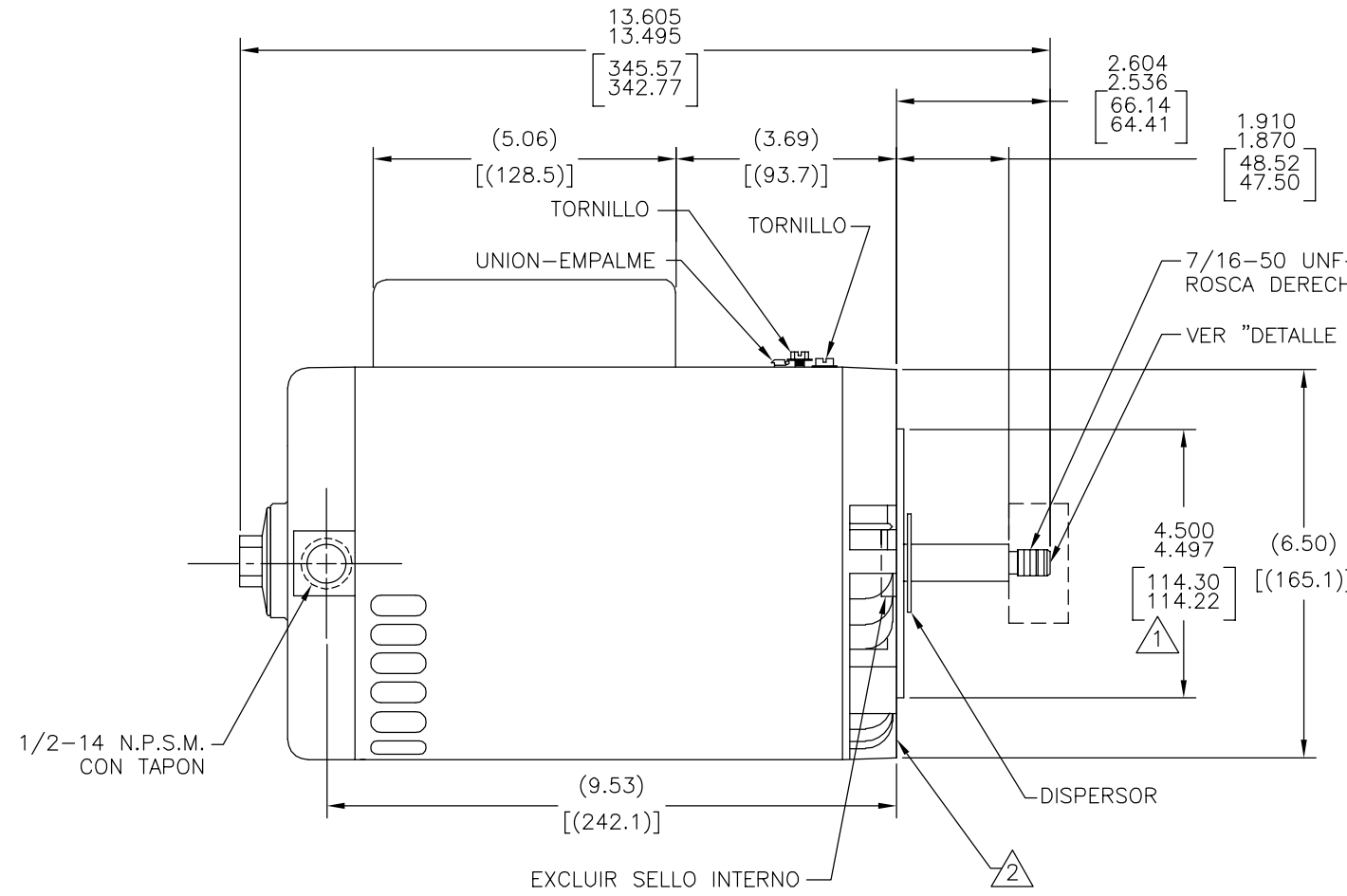
4

3

2

1

REVISION:	ECO	REVISADO POR:	FECHA:	APROBADO POR:	FECHA:
F	0025533	E.SINECIO	04-24-2012	R.RASCON	04-24-2012



NAMEPLATE DATA	EXTERNAL CONNECTION DIAGRAM	NOTES
MODEL: 165122 CUST PN: B796 HP: 1.5 SF: 1.30 ROT: CW RPM: 3450 TYPE: CX CODE: G FORM: FRAME: P 56 J VOLTS: 208-230/115 AMPS: MAX AMPS: SF AMPS: 8.7-7.8/15.6 PH: 1 HZ: 60 INS: B AMB: 50°C DUTY: CONT ENCLOSURE: ODP THERMALLY PROTECTED		<ol style="list-style-type: none"> EL DIAMETRO DEL PILOTO ES CONCENTRICO A LA \perp DE LA FLECHA DENTRO DE .004[.10] L.T.I. LA CARA DEL REBORDE ES PERPENDICULAR A LA \perp DE LA FLECHA DENTRO DE .004[.10] L.T.I. LA OSCILACION DE LA FLECHA NO DEBE EXCEDER EL .002[.05] L.T.I. EL JUEGO AXIAL NO DEBE EXCEDER .010[.25] AL MEDIRSE SIN CONFIABILIDAD

PERFORMANCE CURVE	APPROVED SAMPLE	CARACTERISTICAS DE GEOMETRIA Y SIMBOLOS □ PLANICIDAD - RECTITUD < ANGULARIDAD ⊥ PERPENDICULARIDAD (A ESCUADRA) // PARALELISMO ○ REDONDEZ (CIRCULARIDAD) ∅ CILINDRICIDAD △ PERFIL DE CUALQUIER SUPERFICIE ▲ PERFIL DE CUALQUIER LINEA ↗ VARIACION ⊕ POSICION REAL ⊙ CONCENTRICIDAD = SIMETRIA	DIBUJADO POR: KHR	09-02-2005	REGAL-BELOIT CORPORATION DESCRIPCION: MODEL-CFHP-56FR OUTLINE TAMAÑO: C NUMERO DE DIBUJO: 12676-014 ESCALA: NONE HOJA: 1
16380711	CSA		A MENOS QUE SE ESPECIFIQUE DE OTRA MANERA, LAS TOLERANCIAS DE LAS DIMS; SON LAS SIGUIENTES: PULG ±.1 ±.02 ±.005 ±.0005 mm ±0.5 ±0.13 ±0.013 ANG. ± 50 GRADOS ELIMINAR REBABAS Y ORILLAS FILOSAS DEL BORDE. PULG .003-.015 mm 0.1-0.4 FILETEAR ESQUINA: PULG .020 mm 0.5 MAQUINAR SUPERFICIES PULG 125 mm .32/	APROBADO POR: TERCER ANGULO DE PROYECCION CONFIDENCIAL: ESTE DIBUJO Y SU INFORMACION SON PROPIEDAD DE USO EXCLUSIVO Y CONFIDENCIAL DE REGAL-BELOIT CORPORATION. Y NO DEBERAN SER REVELADOS, DUPLICADOS, DISTRIBUIDOS O USARSE DE OTRA MANERA SIN EL CONSENTIMIENTO ESCRITO DE REGAL-BELOIT CORPORATION. -TODOS LOS DERECHOS RESERVADOS.	

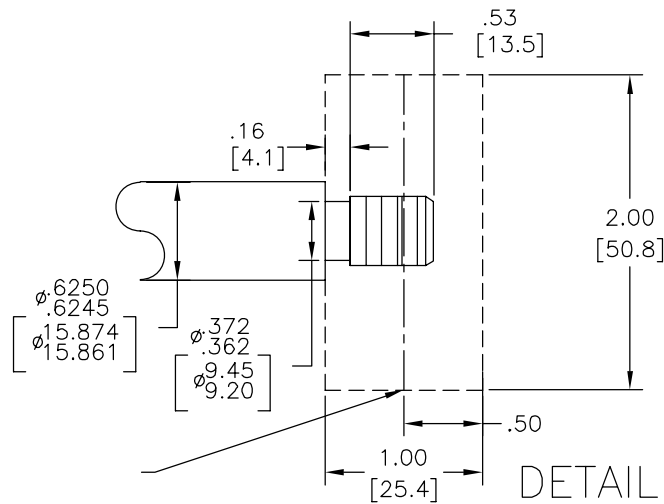
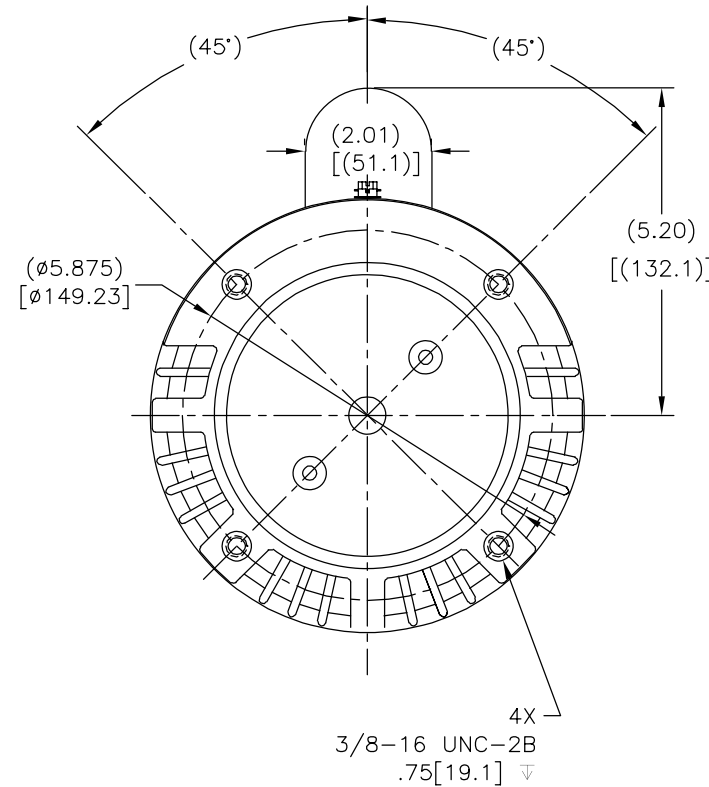
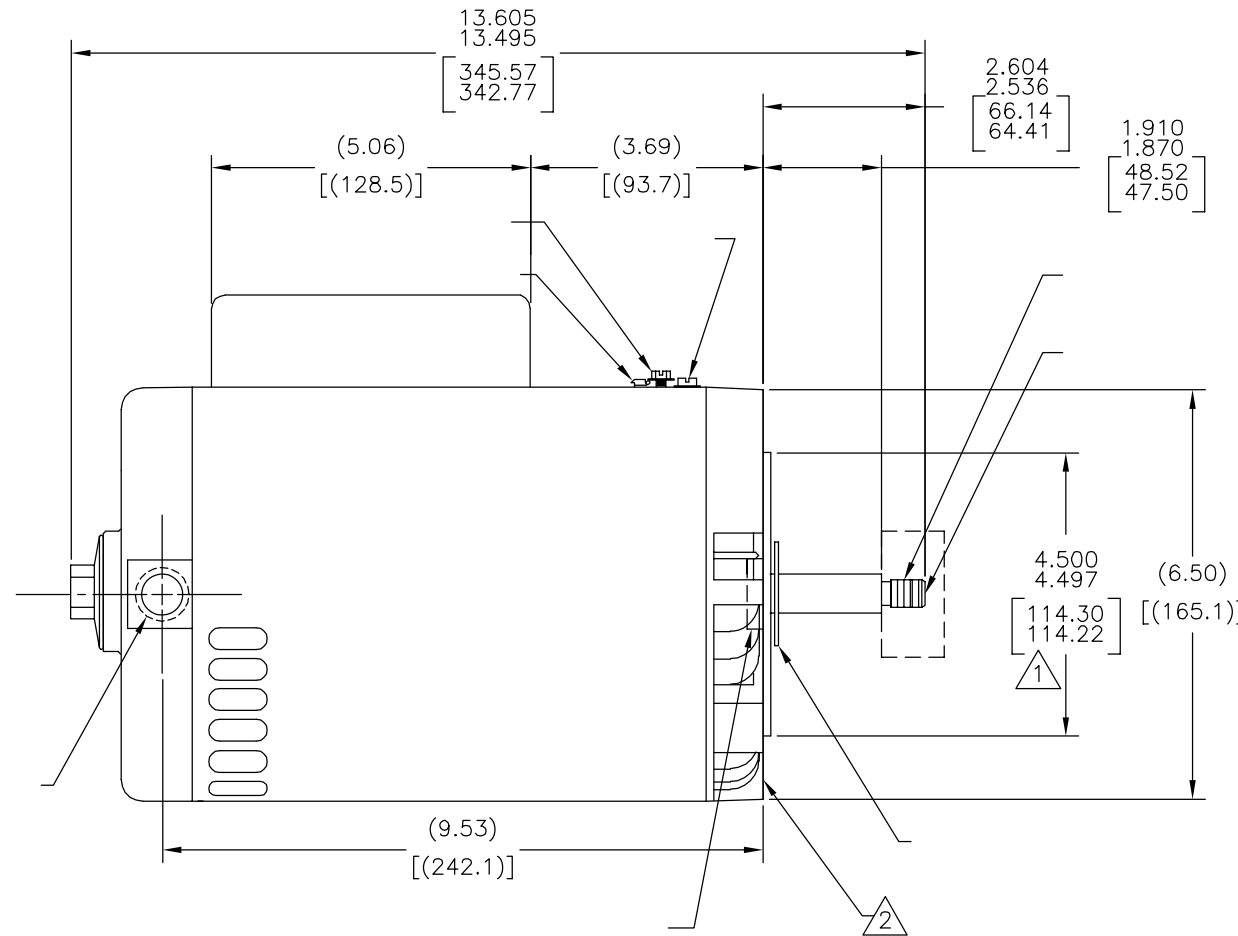
4

3

2

1

版本	ECO	编制	日期	批准	日期
F	0025533	E.SINECIO	04-24-2012	R.RASCON	04-24-2012



NAMEPLATE DATA	EXTERNAL CONNECTION DIAGRAM	NOTES
MODEL: 165122 CUST PN: B796 HP: 1.5 SF: 1.30 ROT: CW RPM: 3450 TYPE: CX CODE: G FORM: FRAME: P 56 J VOLTS: 208-230/115 AMPS: MAX AMPS: SF AMPS: 8.7-7.8/15.6 PH: 1 HZ: 60 INS: B AMB: 50°C DUTY: CONT ENCLOSURE: ODP THERMALLY PROTECTED		

PERFORMANCE CURVE	APPROVED SAMPLE		
16380711			
UL COMPONENT	CSA		
FILE#	CCN#	FILE#	GUIDE#
E14663	XEWR2	LR4642	4211-01
CUSTOMER	DISTRIBUTION		

形位公差
 □ 平面度
 — 直线度
 / 倾斜度
 ⊥ 垂直度
 // 平行度
 ○ 圆度
 ∅ 圆柱度
 △ 面轮廓度
 ∩ 线轮廓度
 ↗ 圆跳动
 ⊕ 位置度
 ⊙ 同轴度
 ≡ 对称度

ASME Y14.5M 1994

除另有注明
 尺寸公差如下:
 英寸 X XX XXX XXXX
 毫米 ±0.1 ±0.02 ±0.005 ±0.0005
 英寸 ±0.5 ±0.13 ±0.013
 角度 ±.50 度
 清理毛刺和尖棱
 英寸 .003-.015 毫米 0.1-0.4
 内圆角
 英寸 .020 毫米 0.5
 表面粗糙度
 英制 125 米制 3.2

米制尺寸显示在 []

绘图: KHR
 批准:
 第三角投影
 图纸格式发布日期 02-22-2008
 图纸格式版本 G
 机密: 本图纸及相关信息所有权归REGAL-BELOIT CORPORATION
 未经REGAL-BELOIT CORPORATION书面授权, 不得泄露、
 复制、传播或作其他用途。一版权所有

REGAL-BELOIT CORPORATION
 名称: MODEL-CFHP-56FR OUTLINE
 图幅: C 图号: 12676-014
 比例: NONE 页号: 1

4

3

2

1