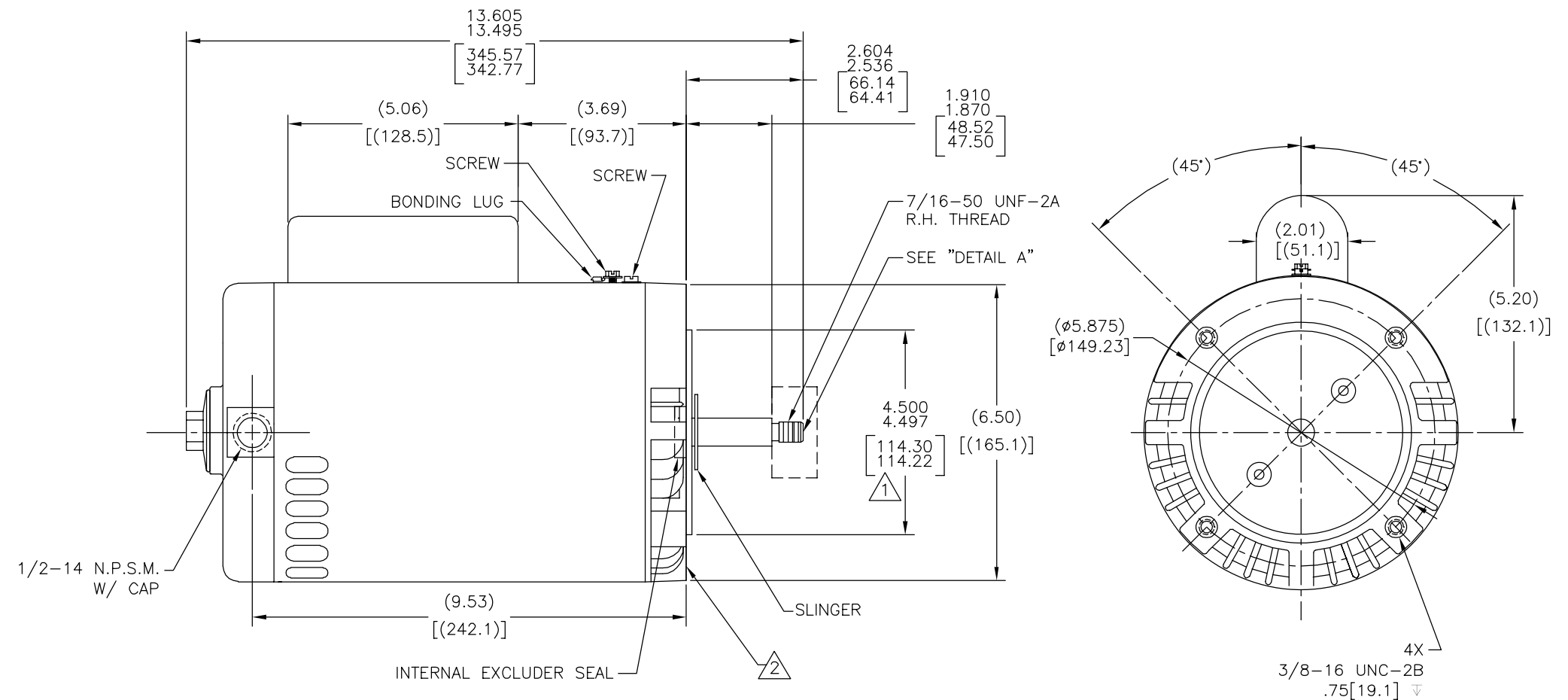
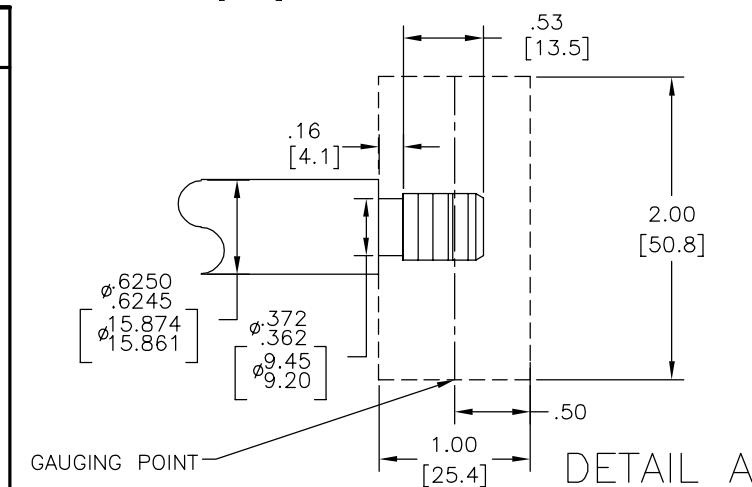


REV	ECO	REV BY	DATE	APPD	DATE
E	ECO-0008802	IVAN LOPEZ	03-25-2010	D. JUAREZ	03-25-2010

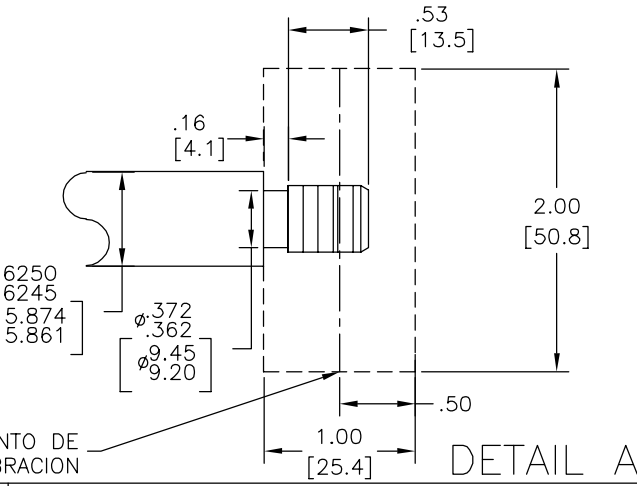
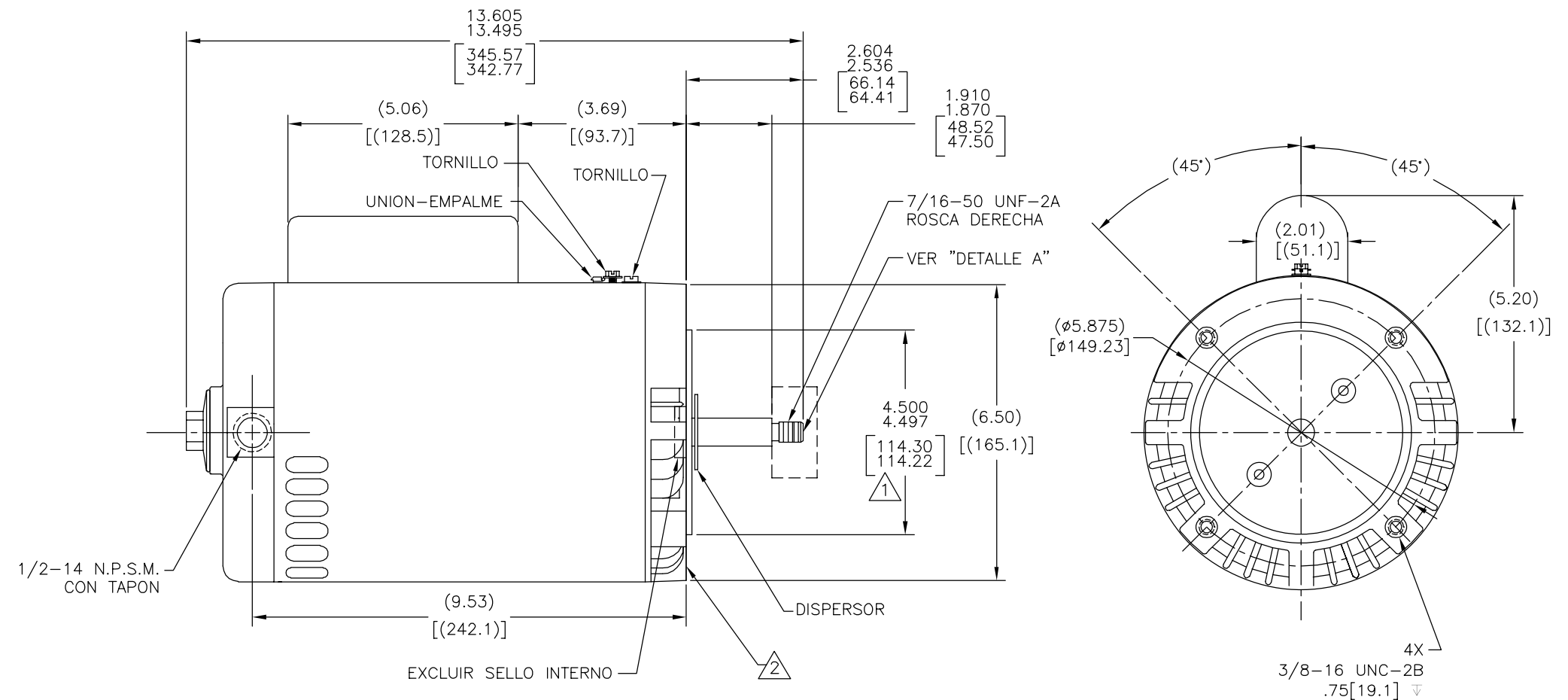


NAMEPLATE DATA	EXTERNAL CONNECTION DIAGRAM	NOTES
MODEL: 165122 CUST PN: B796 HP: 1.5 SF: 1.30 ROT: CW RPM: 3450 TYPE: CX CODE: G FORM: FRAME: P 56 J VOLTS: 208-230/115 AMPS: MAX AMPS: SF AMPS: 8.7-7.8/15.6 PH: 1 HZ: 60 INS: B AMB: 50°C DUTY: CONT ENCLOSURE: ODP THERMALLY PROTECTED	<p>LOW VOLTAGE: BROWN → B, WHITE → L2, A                      HIGH VOLTAGE: WHITE → B, BROWN → A                      L1 LINE, L2 LINE                      NON-REVERSIBLE</p>	1. PILOT DIAMETER IS CONCENTRIC WITH SHAFT ± WITHIN .004[.10] T.I.R. 2. FACE OF MOUNTING FLANGE IS PERPENDICULAR TO SHAFT ± WITHIN .004[.10] T.I.R. 3. SHAFT RUNOUT NOT TO EXCEED .002[.05] T.I.R 4. END PLAY NOT TO EXCEED .010[.25] MEASURED WITH NO THRUST



PERFORMANCE CURVE 16380711	APPROVED SAMPLE CSA	GEOMETRIC CHARACTERISTICS & SYMBOLS ▽ FLATNESS - STRAIGHTNESS < ANGLULARITY ⊥ PERPENDICULARITY (SQUARENESS) // PARALLELISM ○ ROUNDNESS (CIRCULARITY) ∅ CYLINDRICITY △ PROFILE OF ANY SURFACE ∩ PROFILE OF ANY LINE ↗ RUNOUT ⊕ TRUE POSITION ⊙ CONCENTRICITY = SYMMETRY	UNLESS OTHERWISE SPECIFIED DIM. TOLERANCES ARE AS FOLLOWS: INCH ±.1 ±.02 ±.005 ±.0005 mm ±0.5 ±0.13 ±0.013 ANG. ±.50 DEG REMOVE BURRS & BREAK SHARP EDGES: INCH .003-.015 mm 0.1-0.4 CORNER FILLETS TO: INCH .020 mm 0.5 MACHINE SURFACES: INCH 125 mm 3.2 METRIC DIMS. SHOWN IN [BRACKETS]	DR BY: khr APPD: 09-02-2005 EDS DATE 02-22-2008 FORMAT REV F	<b>AC Smith</b> Innovation has a name. <b>ELECTRICAL PRODUCTS COMPANY</b> A DIVISION OF A. O. SMITH CORPORATION
UL COMPONENT E14663	FILE# CCN# FILE# GUIDE# XEW2 LR4642 4211-01			THIRD ANGLE PROJECTION	DESCRIPTION OUTLINE
CUSTOMER	DISTRIBUTION			CONFIDENTIAL: THIS DRAWING AND ITS INFORMATION ARE THE EXCLUSIVE AND CONFIDENTIAL PROPERTY OF A.O. SMITH CORP. AND ARE NOT TO BE DISCLOSED, DUPLICATED, DISTRIBUTED OR OTHERWISE USED WITHOUT THE WRITTEN CONSENT OF A.O. SMITH CORP. -ALL RIGHTS RESERVED. ASME Y14.5M 1994	SIZE C DWG NO 12676-014 SCALE NONE SHEET 1

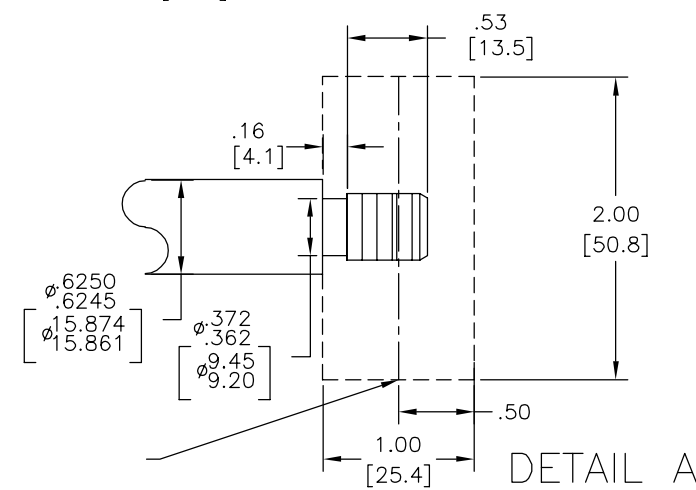
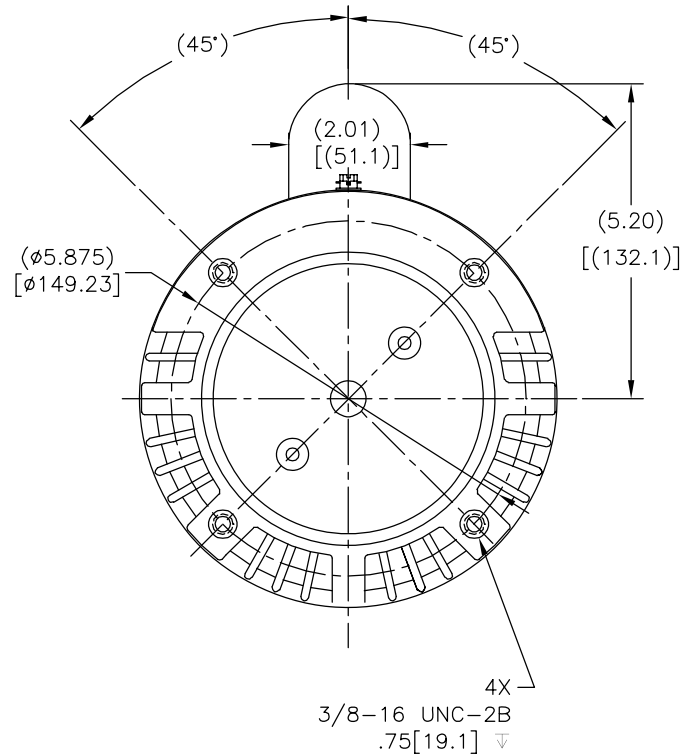
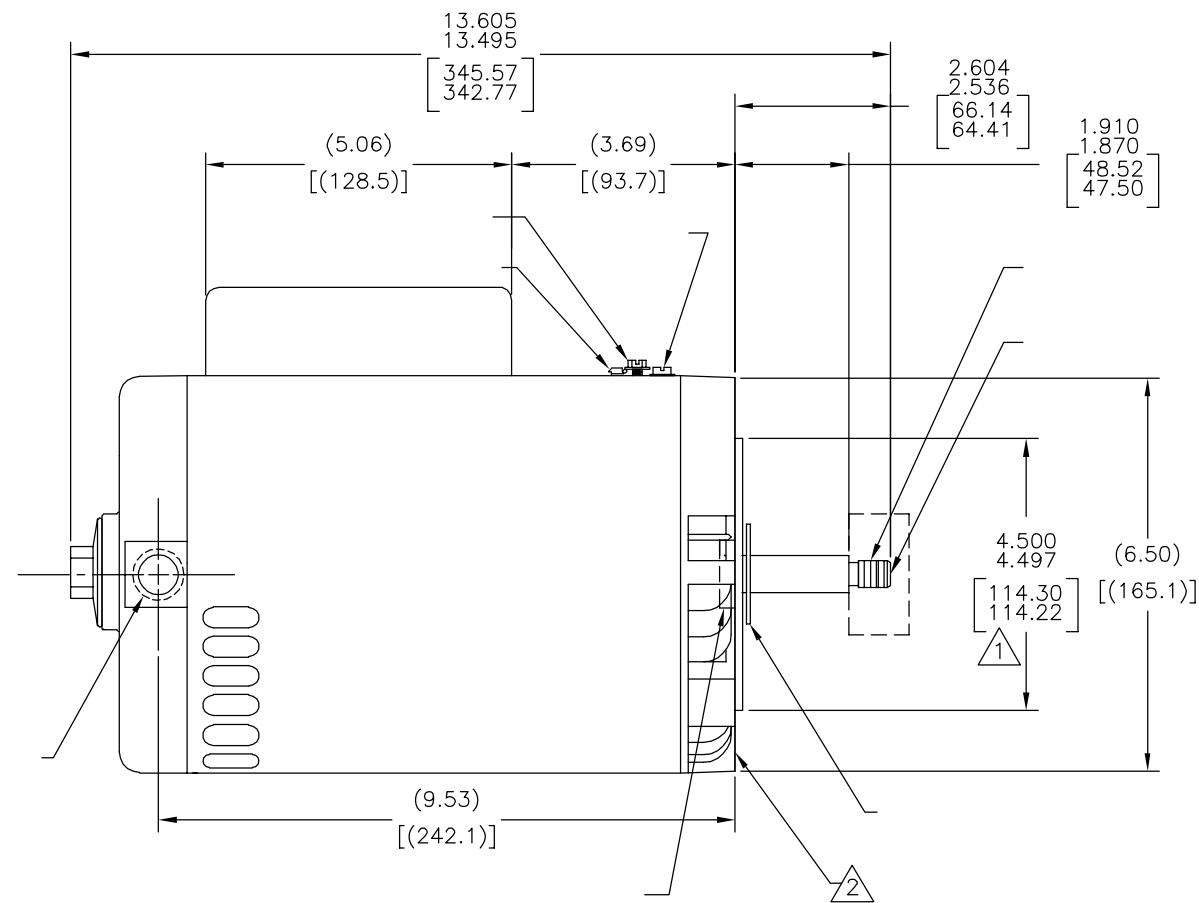
REVISION: ECO	REVISADO POR: IVAN LOPEZ	FECHA: 03-25-2010	APROBADO POR: D. JUAREZ	FECHA: 03-25-2010
E	ECO-0008802			



NAMEPLATE DATA	EXTERNAL CONNECTION DIAGRAM	NOTES										
MODEL: 165122 CUST PN: B796 HP: 1.5 SF: 1.30 ROT: CW RPM: 3450 TYPE: CX CODE: G FORM: FRAME: P 56 J VOLTS: 208-230/115 AMPS: MAX AMPS: SF AMPS: 8.7-7.8/15.6 PH: 1 HZ: 60 INS: B AMB: 50°C DUTY: CONT ENCLOSURE: ODP THERMALLY PROTECTED	<table border="1"> <tr> <td>LOW VOLTAGE</td> <td>HIGH VOLTAGE</td> </tr> <tr> <td>BROWN → B</td> <td>WHITE → B</td> </tr> <tr> <td>→ L1 LINE</td> <td>→ L1 LINE</td> </tr> <tr> <td>WHITE → L2 LINE</td> <td>→ L2 LINE</td> </tr> <tr> <td>→ A</td> <td>BROWN → A</td> </tr> </table> <p>NON-REVERSIBLE</p>	LOW VOLTAGE	HIGH VOLTAGE	BROWN → B	WHITE → B	→ L1 LINE	→ L1 LINE	WHITE → L2 LINE	→ L2 LINE	→ A	BROWN → A	<p>1. EL DIAMETRO DEL PILOTO ES CONCENTRICO A LA DE LA FLECHA DENTRO DE .004[.10] L.T.I.</p> <p>2. LA CARA DEL REBORDE ES PERPENDICULAR A LA DE LA FLECHA DENTRO DE .004[.10] L.T.I.</p> <p>3. LA OSCILACION DE LA FLECHA NO DEBE EXCEDER EL .002[.05] L.T.I.</p> <p>4. EL JUEGO AXIAL NO DEBE EXCEDER .010[.25] AL MEDIRSE SIN CONFIABILIDAD</p>
LOW VOLTAGE	HIGH VOLTAGE											
BROWN → B	WHITE → B											
→ L1 LINE	→ L1 LINE											
WHITE → L2 LINE	→ L2 LINE											
→ A	BROWN → A											

PERFORMANCE CURVE 16380711	APPROVED SAMPLE CSA	CARACTERISTICAS DE GEOMETRIA Y SIMBOLOS Z PLANICIDAD - RECTITUD < ANGULARIDAD ⊥ PERPENDICULARIDAD (A ESCUADRA) // PARALELISMO ○ REDONDEZ (CIRCULARIDAD) ⊙ CILINDRICIDAD △ PERFIL DE CUALQUIER SUPERFICIE ∩ PERFIL DE CUALQUIER LINEA ↑ VARIACION † POSICION REAL ⊕ CONCENTRICIDAD = SIMETRIA	DIBUJADO POR: khr 09-02-2005 APROBADO POR:	DESCRIPCION: OUTLINE
UL COMPONENT	CSA		TERCER ANGULO DE PROYECCION FECHA EDS: 02-22-2008 REV. FORMATO: F	TAMANO: C NUMERO DE DIBUJO: 12676-014 ESCALA: NONE HOJA: 1

版本	ECO	编制	日期	批准	日期
E	ECO-0008802	IVAN LOPEZ	03-25-2010	D. JUAREZ	03-25-2010



NAMEPLATE DATA	EXTERNAL CONNECTION DIAGRAM	NOTES
MODEL: 165122 CUST PN: B796 HP: 1.5      SF: 1.30 ROT: CW RPM: 3450 TYPE: CX      CODE: G FORM:          FRAME: P 56 J VOLTS: 208-230/115 AMPS: MAX AMPS: SF AMPS: 8.7-7.8/15.6 PH: 1          HZ: 60 INS: B          AMB: 50°C DUTY: CONT ENCLOSURE: ODP THERMALLY PROTECTED		

PERFORMANCE CURVE 16380711	APPROVED SAMPLE CSA	形位公差 □ 平面度 — 直线度 ∠ 倾斜度 ⊥ 垂直度 ∥ 平行度 ○ 圆度 ⊙ 圆柱度 ⌒ 面轮廓度 — 线轮廓度 ↗ 圆跳动 ⊕ 位置度 ⊙ 同轴度 = 对称度	除另有注明 尺寸公差如下: 英寸 X XX XXX XXXX 毫米 ±.1 ±.02 ±.005 ±.0005 毫米 ±0.5 ±0.13 ±0.013 角度 ±.50 度 清理毛刺和尖棱 英寸 .003-.015 毫米 0.1-0.4 内圆角 英寸 .020 毫米 0.5 表面粗糙度 英制 125 米制 3.2 米制尺寸显示在 [ ]	绘图: khr 批准: 第三角投影	09-02-2005 图纸格式发布日期 02-22-2008 图纸格式版本 F
-------------------------------	------------------------	--	---	-------------------------	---

		<b>ELECTRICAL PRODUCTS COMPANY</b> <small>A DIVISION OF A. O. SMITH CORPORATION</small>	
名称 OUTLINE			
图幅 C	图号 12676-014	比例 NONE	
页号 1		ASME Y14.5M 1994	

4

3

2

1

4

3

2

1