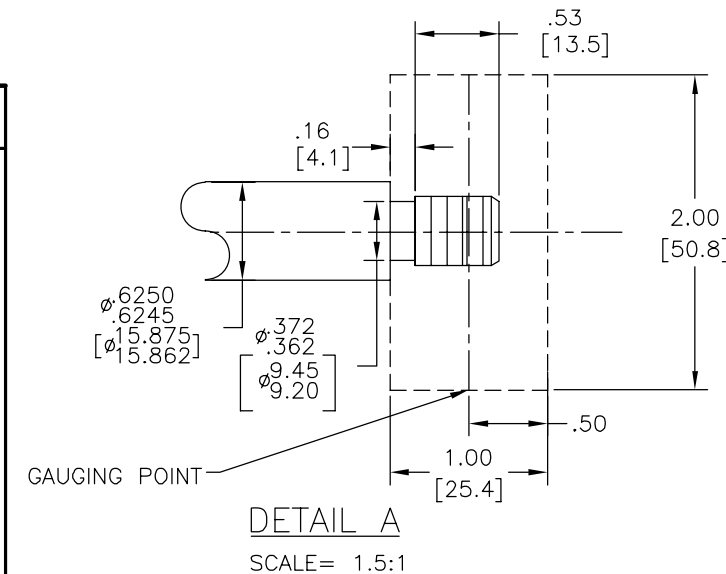
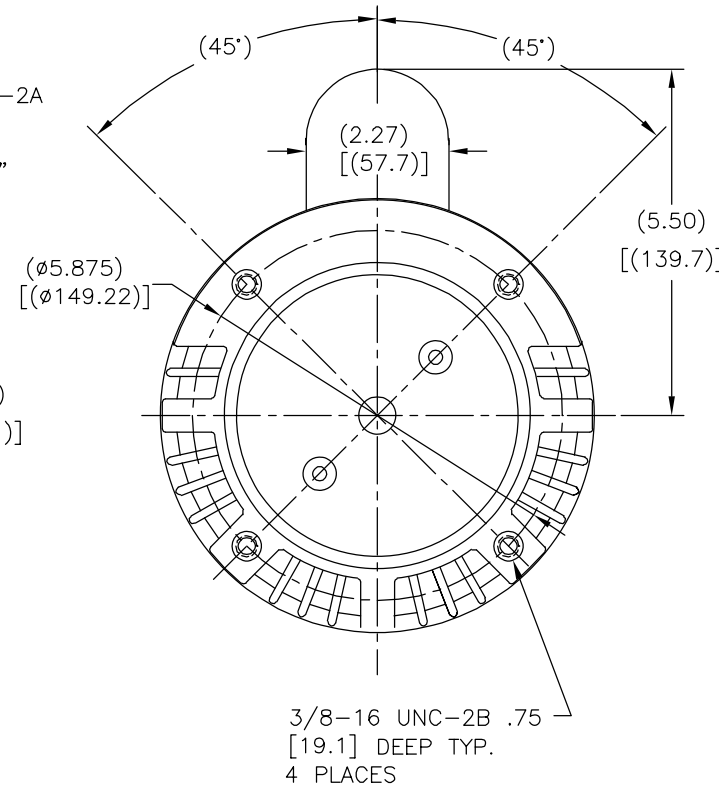
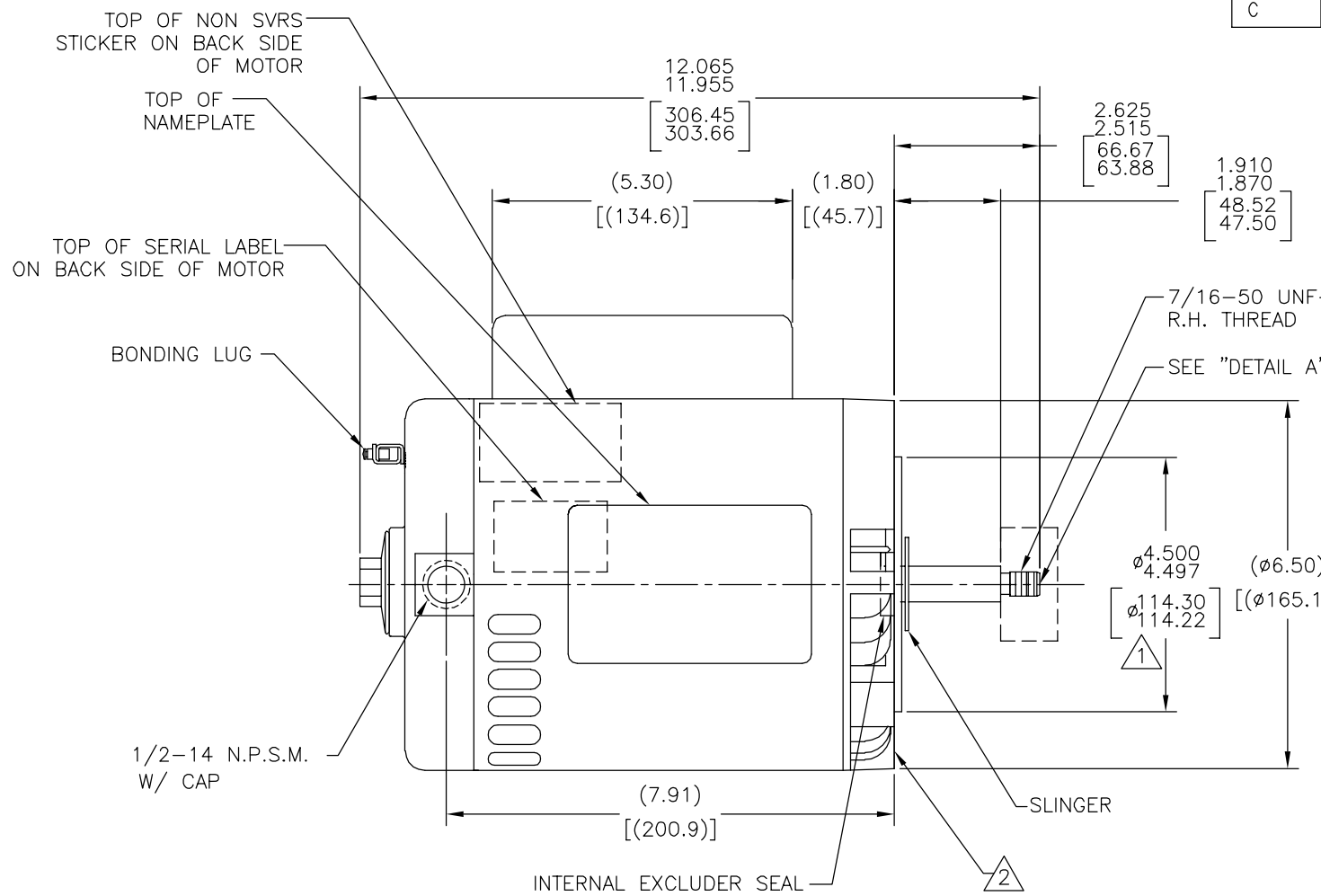


REV	ECO	REV BY	DATE	APPD	DATE
C	0024732	B.ZHAO	03-07-2012	B.SHEN	03-07-2012

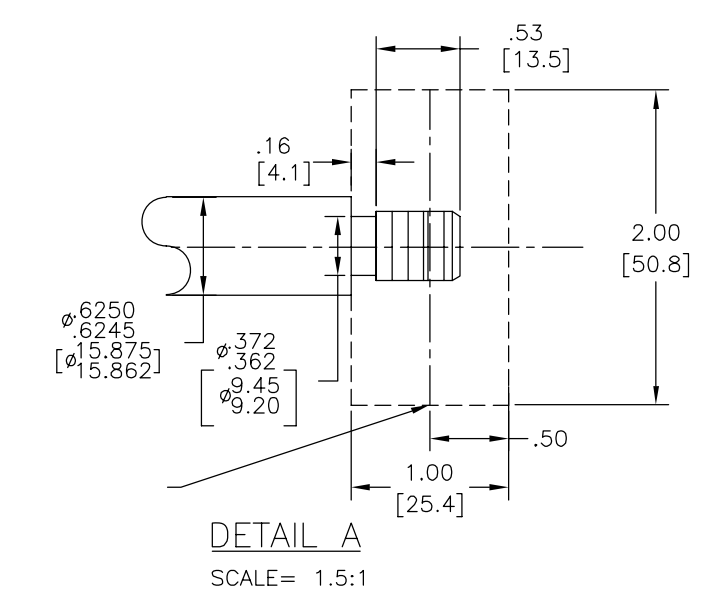
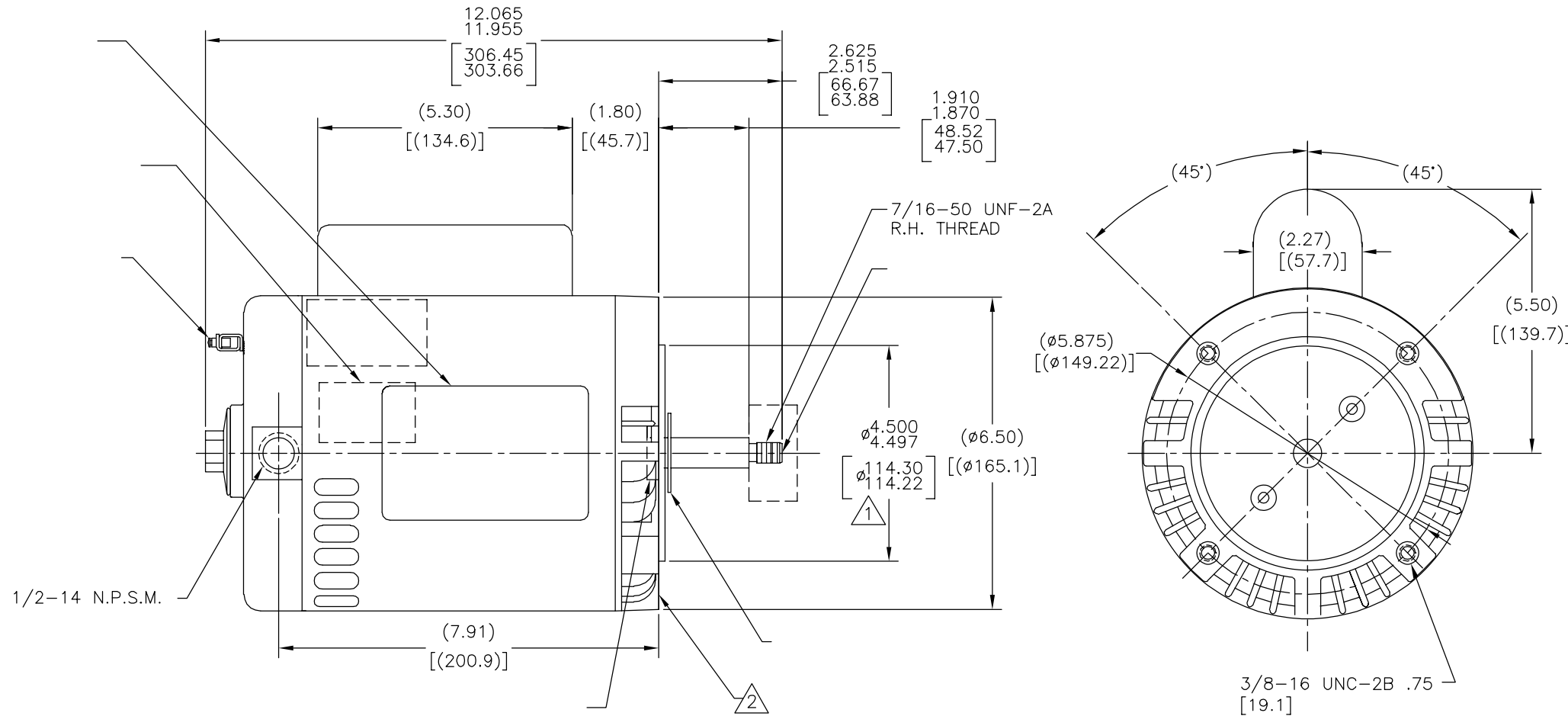


NAMEPLATE DATA	EXTERNAL CONNECTION DIAGRAM	NOTES
MODEL: 165298 CUST PN: B657 HP: 1/2 SF: 1.60 ROT: CCWPE RPM: 3450 TYPE: CX CODE: K FORM: FRAME: S 56 J VOLTS: 208-230/115 AMPS: SF 4.0-3.7/7.4 MAX AMPS: - SF AMPS: - PH: 1 HZ: 60 INS: B AMB: 50°C DUTY: CONT ENCLOSURE: ODP THERMALLY PROTECTED		1. PILOT DIAMETER IS CONCENTRIC WITH SHAFT CENTERLINE WITHIN .004[.10] T.I.R. 2. FACE OF MOUNTING FLANGE IS PERPENDICULAR TO SHAFT CENTERLINE WITHIN .004[.10] T.I.R. 3. SHAFT RUNOUT NOT TO EXCEED .002[.01] T.I.R. 4. END PLAY NOT TO EXCEED .010[.25] MEASURED WITH NO THRUST 5. ALL DIMENSIONS SHOWN IN PARENTHESIS ARE REFERENCE DIMENSIONS

PERFORMANCE CURVE 17127714	APPROVED SAMPLE CSA	GEOMETRIC CHARACTERISTICS & SYMBOLS □ FLATNESS - STRAIGHTNESS ∠ ANGULARITY ⊥ PERPENDICULARITY (SQUARENESS) // PARALLELISM ○ ROUNDNESS (CIRCULARITY) ∅ CYLINDRICITY △ PROFILE OF ANY SURFACE ∩ PROFILE OF ANY LINE ↑ RUNOUT ⊕ TRUE POSITION ⊙ CONCENTRICITY = SYMMETRY ASME Y14.5M 1994	UNLESS OTHERWISE SPECIFIED DIM. TOLERANCES ARE AS FOLLOWS: INCH X XX XXX XXXX ±.1 ±.02 ±.005 ±.0005 mm ±0.5 ±0.13 ±0.013 ANG. ±.50 DEG REMOVE BURRS & BREAK SHARP EDGES: INCH .003-.015 mm 0.1-0.4 CORNER FILLETS TO: INCH .020 mm 0.5 MACHINE SURFACES: INCH 125 mm 3.2 METRIC DIMS. SHOWN IN [BRACKETS]	DR BY: YL 11-19-2010 APPD: TZ 11-19-2010 THIRD ANGLE PROJECTION CONFIDENTIAL: THIS DRAWING AND ITS INFORMATION ARE THE EXCLUSIVE AND CONFIDENTIAL PROPERTY OF REGAL-BELOIT CORPORATION AND ARE NOT TO BE DISCLOSED, DUPLICATED, DISTRIBUTED OR OTHERWISE USED WITHOUT THE WRITTEN CONSENT OF REGAL-BELOIT CORPORATION. -ALL RIGHTS RESERVED.
-------------------------------	------------------------	----------------------------------------------------------------------------------------------------------------------------------------------------------------------------------------------------------------------------------------------------------------------------------------------------------------------------------	--------------------------------------------------------------------------------------------------------------------------------------------------------------------------------------------------------------------------------------------------------------------------------------------------------------------------------------------	-------------------------------------------------------------------------------------------------------------------------------------------------------------------------------------------------------------------------------------------------------------------------------------------------------------------------------------------------------

REGAL-BELOIT CORPORATION	
DESCRIPTION OUTLINE	
SIZE C	DWG NO B657
SCALE NONE	SHEET 1

REVISION:	ECO	REVISADO POR:	FECHA:	APROBADO POR:	FECHA:
C	0024732	B.ZHAO	03-07-2012	B.SHEN	03-07-2012



NAMEPLATE DATA	EXTERNAL CONNECTION DIAGRAM	NOTES
MODEL: 165298 CUST PN: B657 HP: 1/2 SF: 1.60 ROT: CCWPE RPM: 3450 TYPE: CX CODE: K FORM: FRAME: S 56 J VOLTS: 208-230/115 AMPS: SF 4.0-3.7/7.4 MAX AMPS: - SF AMPS: - PH: 1 HZ: 60 INS: B AMB: 50°C DUTY: CONT ENCLOSURE: ODP THERMALLY PROTECTED		△ △

PERFORMANCE CURVE	APPROVED SAMPLE	CARACTERISTICAS DE GEOMETRIA Y SIMBOLOS ▽ PLANICIDAD - RECTITUD < ANGULARIDAD ⊥ PERPENDICULARIDAD (A ESCUADRA) // PARALELISMO ○ REDONDEZ (CIRCULARIDAD) ∅ CILINDRICIDAD △ PERFIL DE CUALQUIER SUPERFICIE ∩ PERFIL DE CUALQUIER LINEA ↗ VARIACION ⊕ POSICION REAL ⊙ CONCENTRICIDAD = SIMETRIA	DIBUJADO POR: YL	11-19-2010		
17127714	CSA		APROBADO POR: TZ	11-19-2010		
UL COMPONENT	CSA	A MENOS QUE SE ESPECIFIQUE DE OTRA MANERA, LAS TOLERANCIAS DE LAS DIMS; SON LAS SIGUIENTES: PULG ±.1 ±.02 ±.005 ±.0005 mm ±0.5 ±0.13 ±0.013 ANG. ± 50 GRADOS ELIMINAR REBABAS Y ORILLAS FILOSAS DEL BORDE. PULG .003-.015 mm 0.1-0.4 FILETEAR ESQUINA: PULG .020 mm 0.5 MAQUINAR SUPERFICIES PULG 125 mm .32/	TERCER ANGULO DE PROYECCION	FECHA EDS: 11-11-2011	DESCRIPCION: OUTLINE	
FILE#	CCN#		FILE#	GUIDE#	REV. FORMATO: G	TAMAÑO: C
E14663	XEWR2	LR4642	4211-01	CONFIDENCIAL: ESTE DIBUJO Y SU INFORMACION SON PROPIEDAD DE USO EXCLUSIVO Y CONFIDENCIAL DE REGAL-BELOIT CORPORATION. Y NO DEBERAN SER REVELADOS, DUPLICADOS, DISTRIBUIDOS O USARSE DE OTRA MANERA SIN EL CONSENTIMIENTO ESCRITO DE REGAL-BELOIT CORPORATION. -TODOS LOS DERECHOS RESERVADOS.	ESCALA: NONE	HOJA: 1

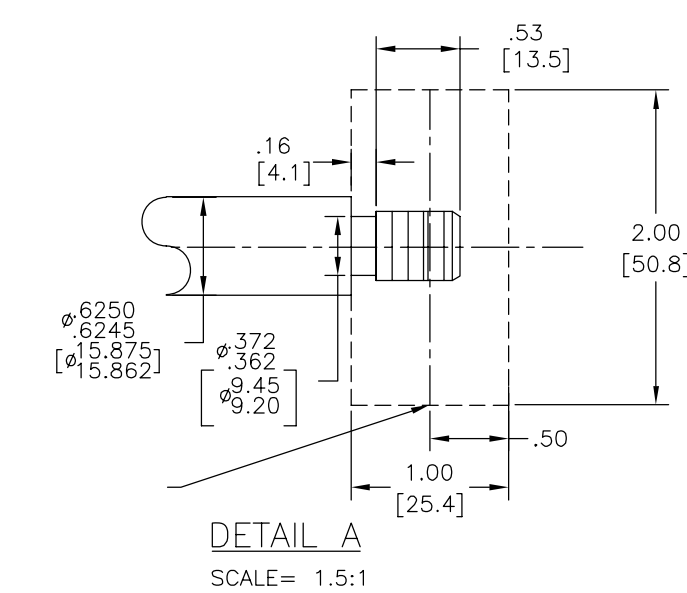
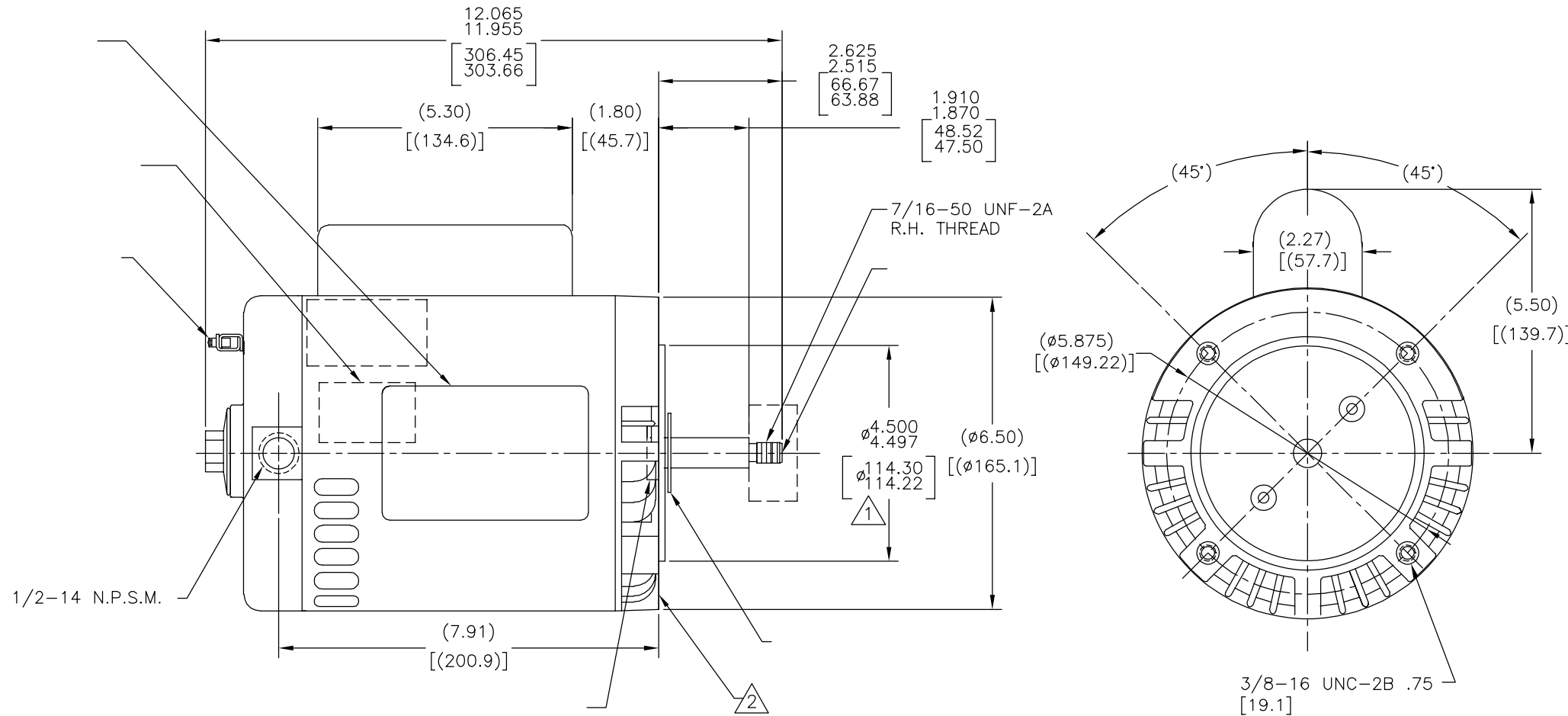
4

3

2

1

版本	ECO	编制	日期	批准	日期
C	0024732	B.ZHAO	03-07-2012	B.SHEN	03-07-2012



NAMEPLATE DATA	EXTERNAL CONNECTION DIAGRAM	NOTES
MODEL: 165298 CUST PN: B657 HP: 1/2 SF: 1.60 ROT: CCWPE RPM: 3450 TYPE: CX CODE: K FORM: FRAME: S 56 J VOLTS: 208-230/115 AMPS: SF 4.0-3.7/7.4 MAX AMPS: - SF AMPS: - PH: 1 HZ: 60 INS: B AMB: 50°C DUTY: CONT ENCLOSURE: ODP THERMALLY PROTECTED		△ △

PERFORMANCE CURVE	APPROVED SAMPLE		
17127714			
UL COMPONENT	CSA		
FILE#	CCN#	FILE#	GUIDE#
E14663	XEWR2	LR4642	4211-01
CUSTOMER	DISTRIBUTION		

形位公差	除另有注明
□ 平面度	尺寸公差如下:
— 直线度	英寸 X XX XXX XXXX
∠ 倾斜度	英寸 ±.1 ±.02 ±.005 ±.0005
⊥ 垂直度	毫米 ±0.5 ±0.13 ±0.013
// 平行度	角度 ±.50度
○ 圆度	清理毛刺和尖棱
⊘ 圆柱度	英寸 .003-.015 毫米 0.1-0.4
△ 内圆角	英寸 .020 毫米 0.5
∩ 面轮廓度	表面粗糙度
∩ 线轮廓度	英制 125 米制 3.2
↗ 圆跳动	米制尺寸显示在 []
⊕ 位置度	
⊙ 同轴度	
≡ 对称度	

绘图: YL	11-19-2010
批准: TZ	11-19-2010
第三角投影	图纸格式发布日期 11-11-2011 图纸格式版本 G
机密: 本图纸及相关信息所有权归REGAL-BELOIT CORPORATION. 未经REGAL-BELOIT CORPORATION书面授权, 不得泄露、复制、传播或作其他用途。一版权所有	

名称: OUTLINE 外形图	
图幅: C	图号: B657
比例: NONE	页号: 1

4

3

2

1