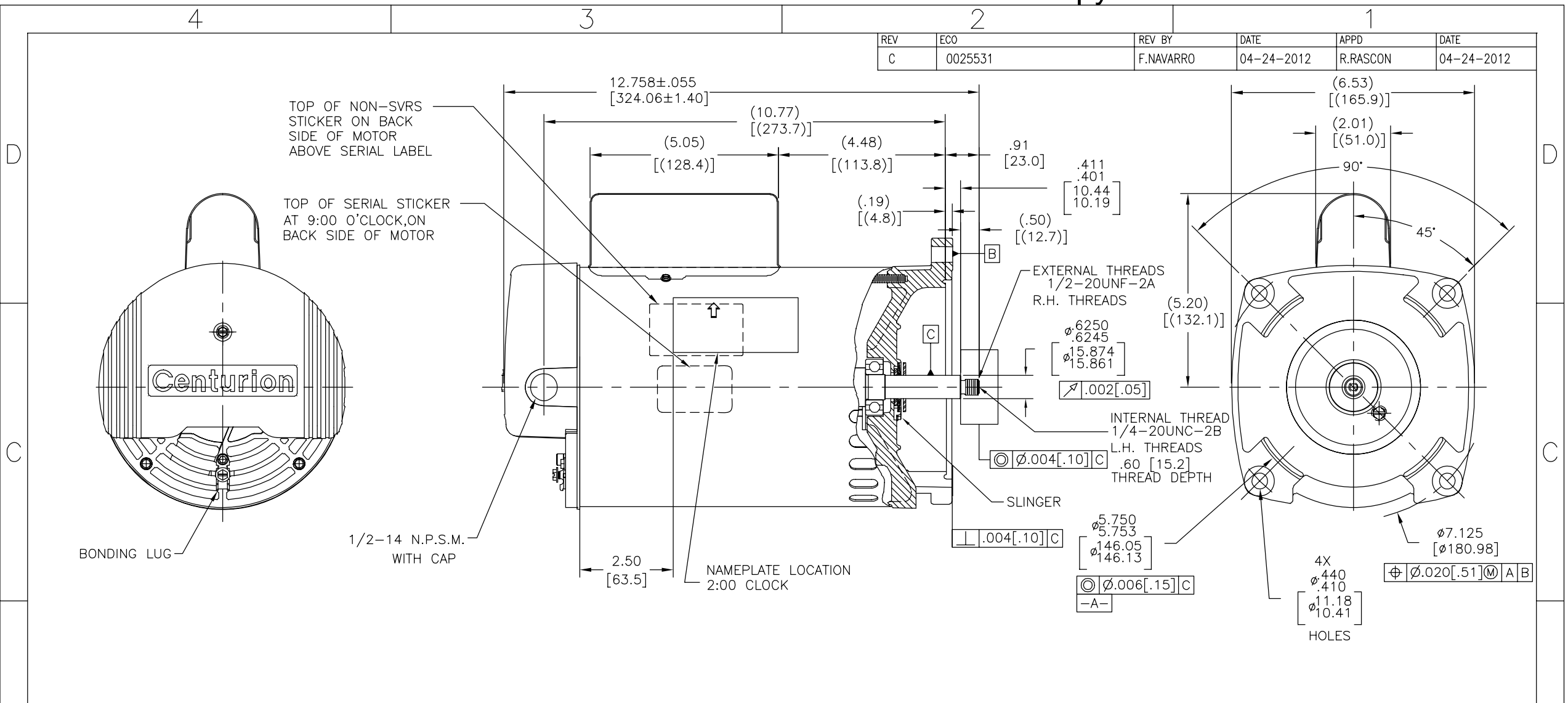
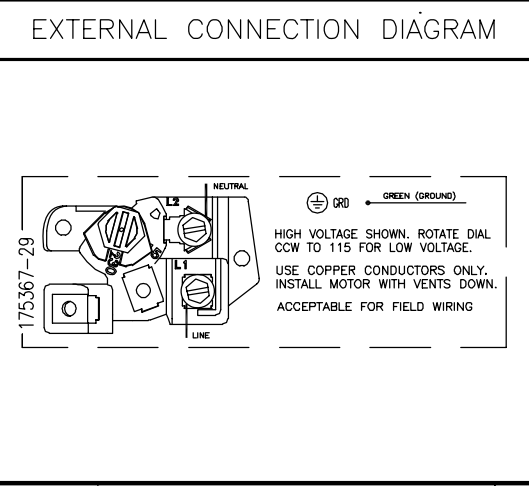


REV	ECO	REV BY	DATE	APPD	DATE
C	0025531	F.NAVARRO	04-24-2012	R.RASCON	04-24-2012



NAMEPLATE DATA	
MODEL: 196261	CUST PN: B2848
HP: 1.0	SF: 1.65
ROT: CCWPE	
RPM: 3450	
TYPE: CX	CODE: J
FORM:	FRAME: Y 56 Y
VOLTS: 230/115	
AMPS:	
MAX AMPS: -	
SF AMPS: 8.0/16.0	
PH: 1	HZ: 60
INS: F	AMB: 50 C
DUTY: CONT	
ENCLOSURE: ODP	
THERMALLY PROTECTED	



- NOTES
- FOR THREADED SHAFT EXTENSION ECCENTRICITY OF THREADED PORTION OF SHAFT IS HELD WITHIN .004[.10] TOTAL GAGE READING WITH THE INDICATOR ON O.D. OF GROUND RING GAGE AS SHOWN. THE GAGE BEING STATIONARY WITH RESPECT TO THE ROTOR.
 - END PLAY NOT TO EXCEED .010[.25] MEASURED WITH NO THRUST.
 - FINISH PAINT TO BE BLACK.
 - REFERENCE MODEL: B848

PERFORMANCE CURVE	APPROVED SAMPLE		
16381811	0601047		
UL COMPONENT	CSA		
FILE#	CCN#	FILE#	GUIDE#
E14663	XEWR2	LR4246	4211-01
CUSTOMER	DISTRIBUTION		

GEOMETRIC CHARACTERISTICS & SYMBOLS

- FLATNESS
- STRAIGHTNESS
- ANGULARITY
- PERPENDICULARITY (SQUARENESS)
- PARALLELISM
- ROUNDNESS (CIRCULARITY)
- CYLINDRICITY
- PROFILE OF ANY SURFACE
- PROFILE OF ANY LINE
- RUNOUT
- TRUE POSITION
- CONCENTRICITY
- SYMMETRY

ASME Y14.5M 1994

UNLESS OTHERWISE SPECIFIED DIM. TOLERANCES ARE AS FOLLOWS:

INCH ±.1 XX ±.02 XXX ±.005 XXXX ±.0005
 mm ±0.5 ±0.13 ±0.013

ANG. ±.50 DEG
 REMOVE BURRS & BREAK SHARP EDGES:
 INCH .003-.015 mm 0.1-0.4

CORNER FILLETS TO:
 INCH .020 mm 0.5

MACHINE SURFACES:
 INCH 125 mm 3.2

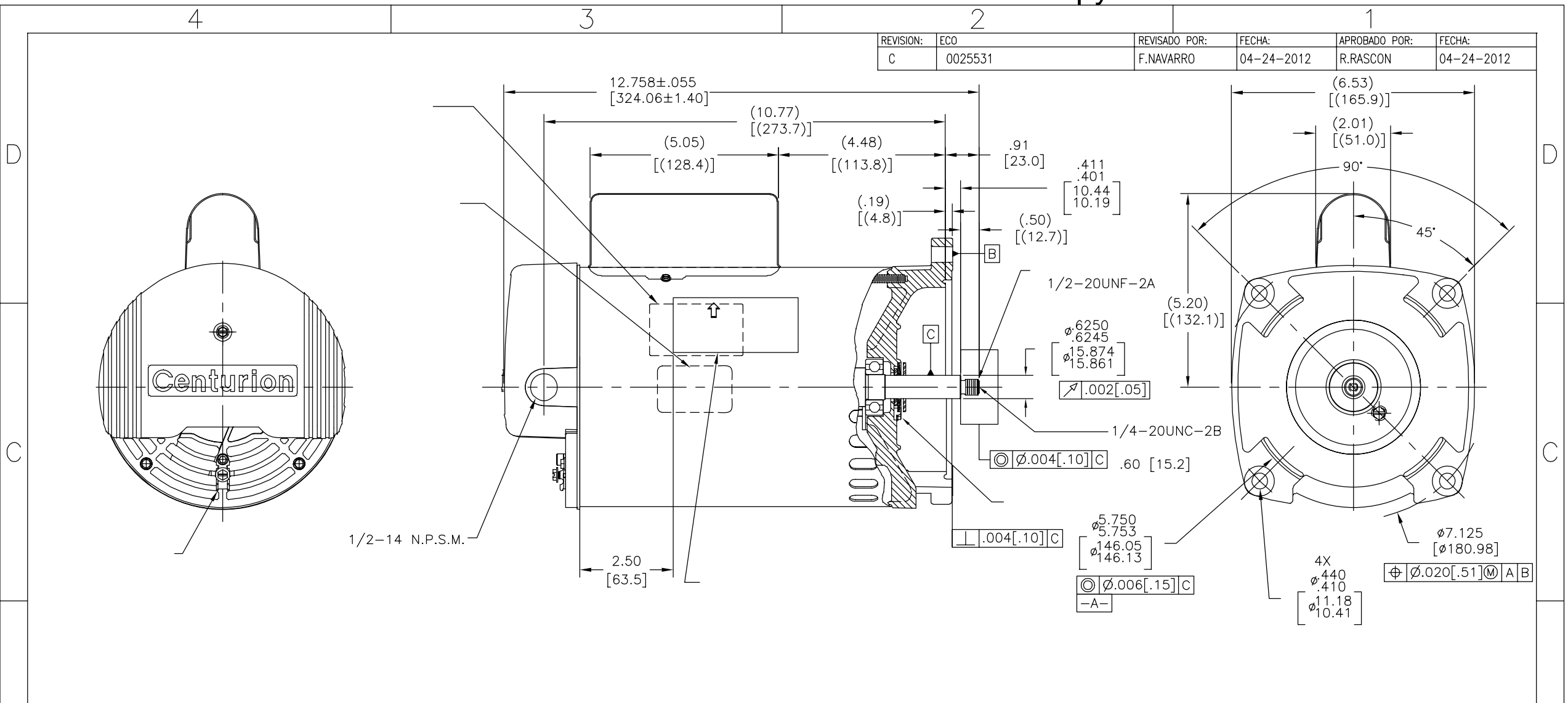
METRIC DIMS. SHOWN IN [BRACKETS]

DR BY:	TW	09-09-2009
APPD:	CZ	09-09-2009
THIRD ANGLE PROJECTION	EDS DATE	11-11-2011
	FORMAT REV	G

CONFIDENTIAL: THIS DRAWING AND ITS INFORMATION ARE THE EXCLUSIVE AND CONFIDENTIAL PROPERTY OF REGAL-BELOIT CORPORATION AND ARE NOT TO BE DISCLOSED, DUPLICATED, DISTRIBUTED OR OTHERWISE USED WITHOUT THE WRITTEN CONSENT OF REGAL-BELOIT CORPORATION. -ALL RIGHTS RESERVED.

DESCRIPTION	OUTLINE
SIZE	C
DWG NO	B2848
SCALE	NONE
SHEET	1

REVISION:	ECO	REVISADO POR:	F.NAVARRO	FECHA:	04-24-2012	APROBADO POR:	R.RASCON	FECHA:	04-24-2012
C	0025531								



NAMEPLATE DATA	EXTERNAL CONNECTION DIAGRAM	NOTES
MODEL: 196261 CUST PN: B2848 HP: 1.0 SF: 1.65 ROT: CCWPE RPM: 3450 TYPE: CX CODE: J FORM: FRAME: Y 56 Y VOLTS: 230/115 AMPS: MAX AMPS: - SF AMPS: 8.0/16.0 PH: 1 HZ: 60 INS: F AMB: 50 C DUTY: CONT ENCLOSURE: ODP THERMALLY PROTECTED		

PERFORMANCE CURVE	APPROVED SAMPLE	CARACTERISTICAS DE GEOMETRIA Y SIMBOLOS Z PLANICIDAD - RECTITUD < ANGULARIDAD ⊥ PERPENDICULARIDAD (A ESCUADRA) // PARALELISMO ○ REDONDEZ (CIRCULARIDAD) ∅ CILINDRICIDAD △ PERFIL DE CUALQUIER SUPERFICIE ∩ PERFIL DE CUALQUIER LINEA / VARIACION ⊕ POSICION REAL ⊙ CONCENTRICIDAD = SIMETRIA	DIBUJADO POR:	09-09-2009	
16381811	0601047		APROBADO POR:	09-09-2009	
UL COMPONENT	CSA		TERCER ANGULO DE PROYECCION	FECHA EDS: 11-11-2011 REV. FORMATO: G	
FILE#	CCN#		FILE#	GUIDE#	
E14663	XEWR2	LR4246	4211-01	DESCRIPCION:	OUTLINE
CUSTOMER	DISTRIBUTION		CONFIDENCIAL: ESTE DIBUJO Y SU INFORMACION SON PROPIEDAD DE USO EXCLUSIVO Y CONFIDENCIAL DE REGAL-BELOIT CORPORATION. Y NO DEBERAN SER REVELADOS, DUPLICADOS, DISTRIBUIDOS O USARSE DE OTRA MANERA SIN EL CONSENTIMIENTO ESCRITO DE REGAL-BELOIT CORPORATION. -TODOS LOS DERECHOS RESERVADOS.	TAMAÑO:	C
				NUMERO DE DIBUJO:	B2848
				ESCALA:	NONE
				HOJA:	1

4

3

2

1

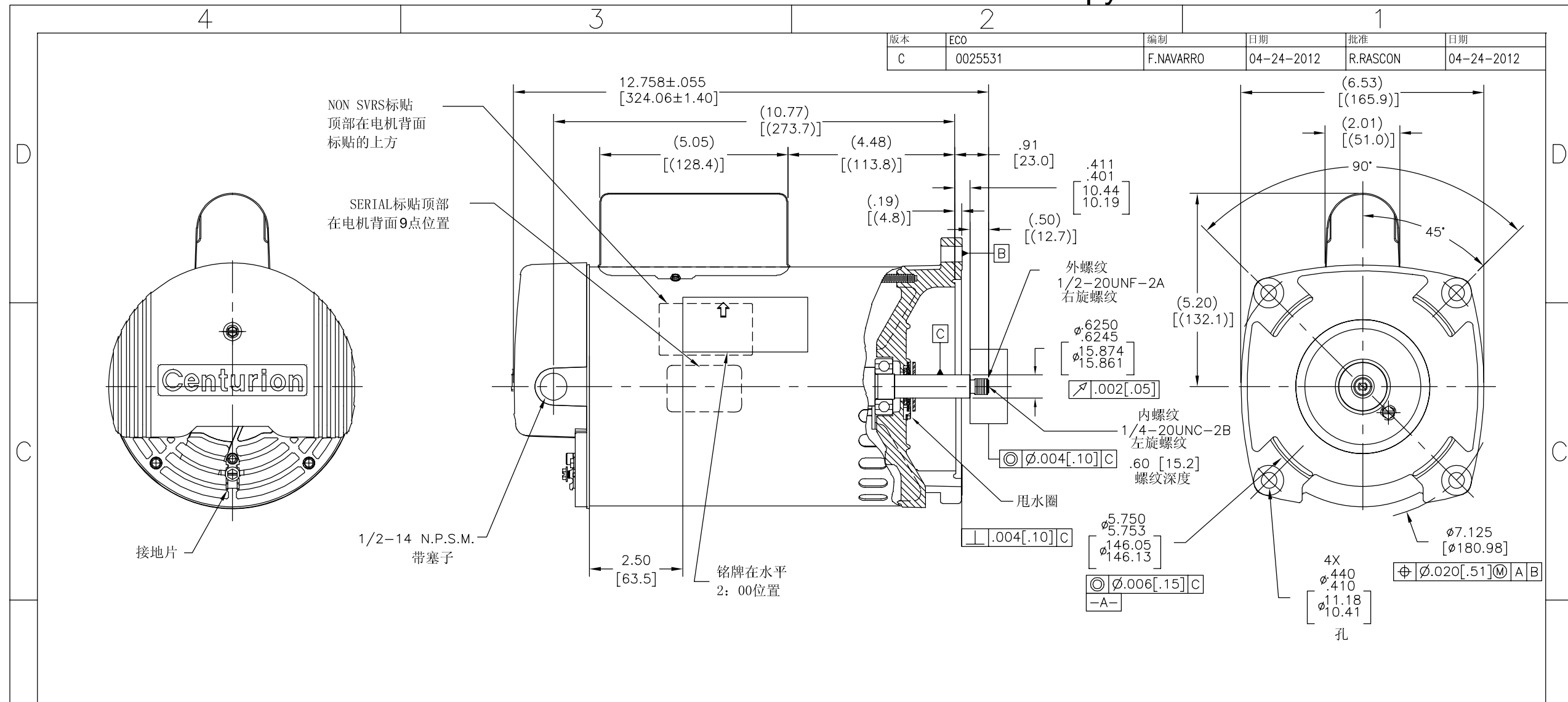
4

3

2

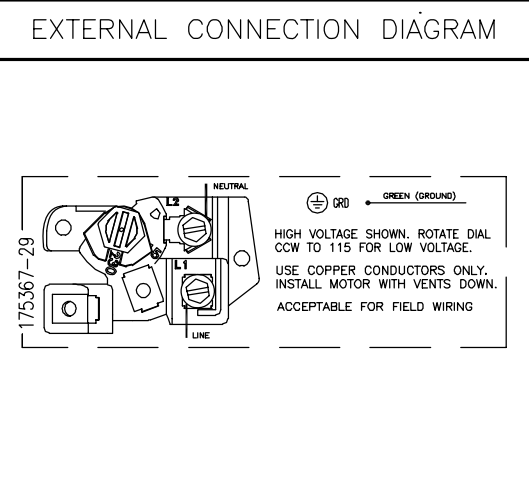
1

Uncontrolled Copy



版本	ECO	编制	日期	批准	日期
C	0025531	F.NAVARRO	04-24-2012	R.RASCON	04-24-2012

NAMEPLATE DATA	
MODEL: 196261	CUST PN: B2848
HP: 1.0	SF: 1.65
ROT: CCWPE	
RPM: 3450	
TYPE: CX	CODE: J
FORM:	FRAME: Y 56 Y
VOLTS: 230/115	
AMPS:	
MAX AMPS: -	
SF AMPS: 8.0/16.0	
PH: 1	HZ: 60
INS: F	AMB: 50 C
DUTY: CONT	
ENCLOSURE: ODP	
THERMALLY PROTECTED	



- NOTES
- 量规测量方法如图所示，螺纹外径与中心的同心度为.004[.10].
 - 轴向窜动不超过.010[.25].
 - 表面黑色漆.
 - 参考型号: B848

PERFORMANCE CURVE	APPROVED SAMPLE
16381811	0601047
UL COMPONENT	CSA
FILE#	CCN#
E14663	XEWR2
FILE#	GUIDE#
LR4246	4211-01
CUSTOMER	DISTRIBUTION

形位公差	除另有注明
□ 平面度	尺寸公差如下:
— 直线度	英寸 X XX XXX XXXX
∠ 倾斜度	英寸 ±.1 ±.02 ±.005 ±.0005
⊥ 垂直度	毫米 ±0.5 ±0.13 ±0.013
∥ 平行度	角度 ±.50 度
○ 圆度	清理毛刺和尖棱
⊙ 圆柱度	英寸 .003-.015 毫米 0.1-0.4
⊖ 面轮廓度	内圆角
⊖ 线轮廓度	英寸 .020 毫米 0.5
⌒ 圆跳动	表面粗糙度
⊕ 位置度	英制 125 米制 3.2
⊙ 同轴度	米制尺寸显示在 []
☯ 对称度	

ASME Y14.5M 1994

绘图: TW	09-09-2009
批准: CZ	09-09-2009
第三角投影	图纸格式发布日期 11-11-2011
	图纸格式版本 G
机密: 本图纸及相关信息所有权归REGAL-BELOIT CORPORATION. 未经REGAL-BELOIT CORPORATION书面授权, 不得泄露、复制、传播或作其他用途.--版权所有	

名称: OUTLINE	
图幅: C	图号: B2848
比例: NONE	页号: 1