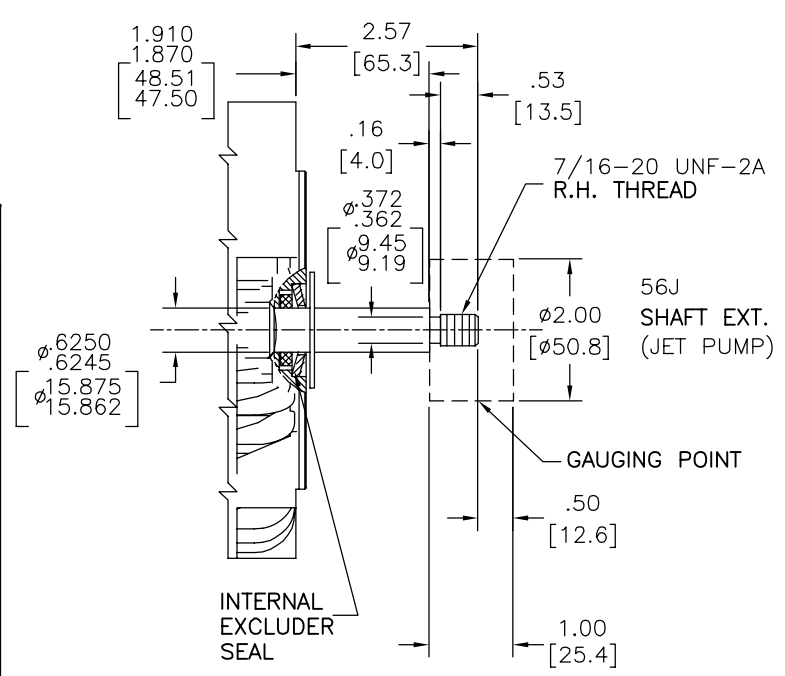
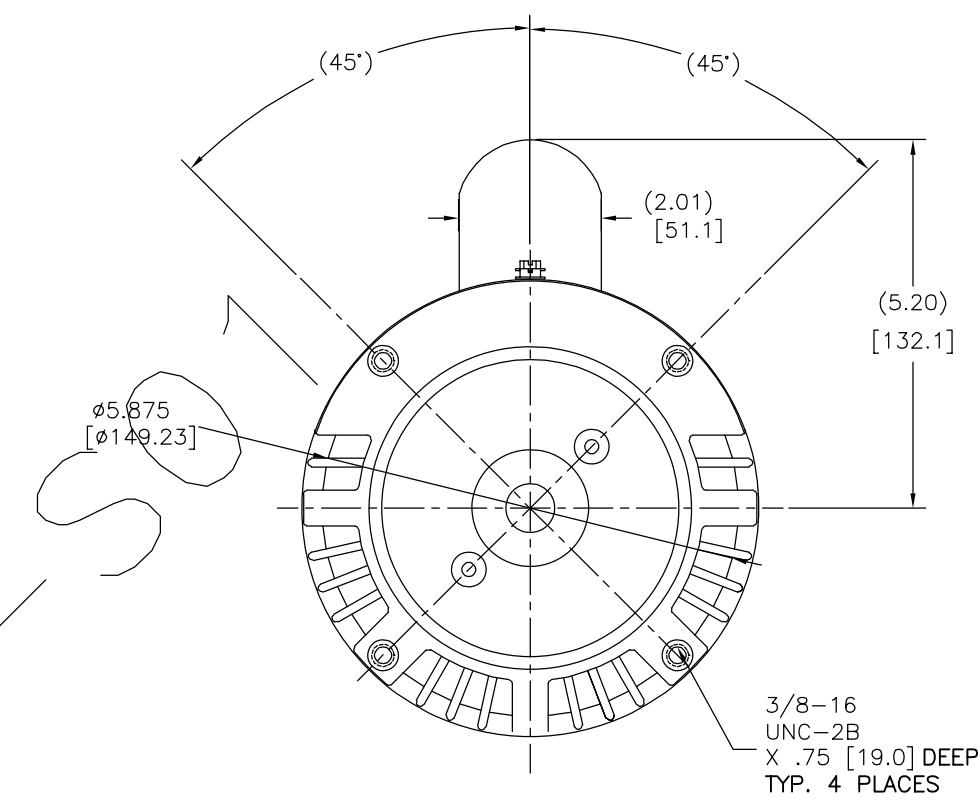
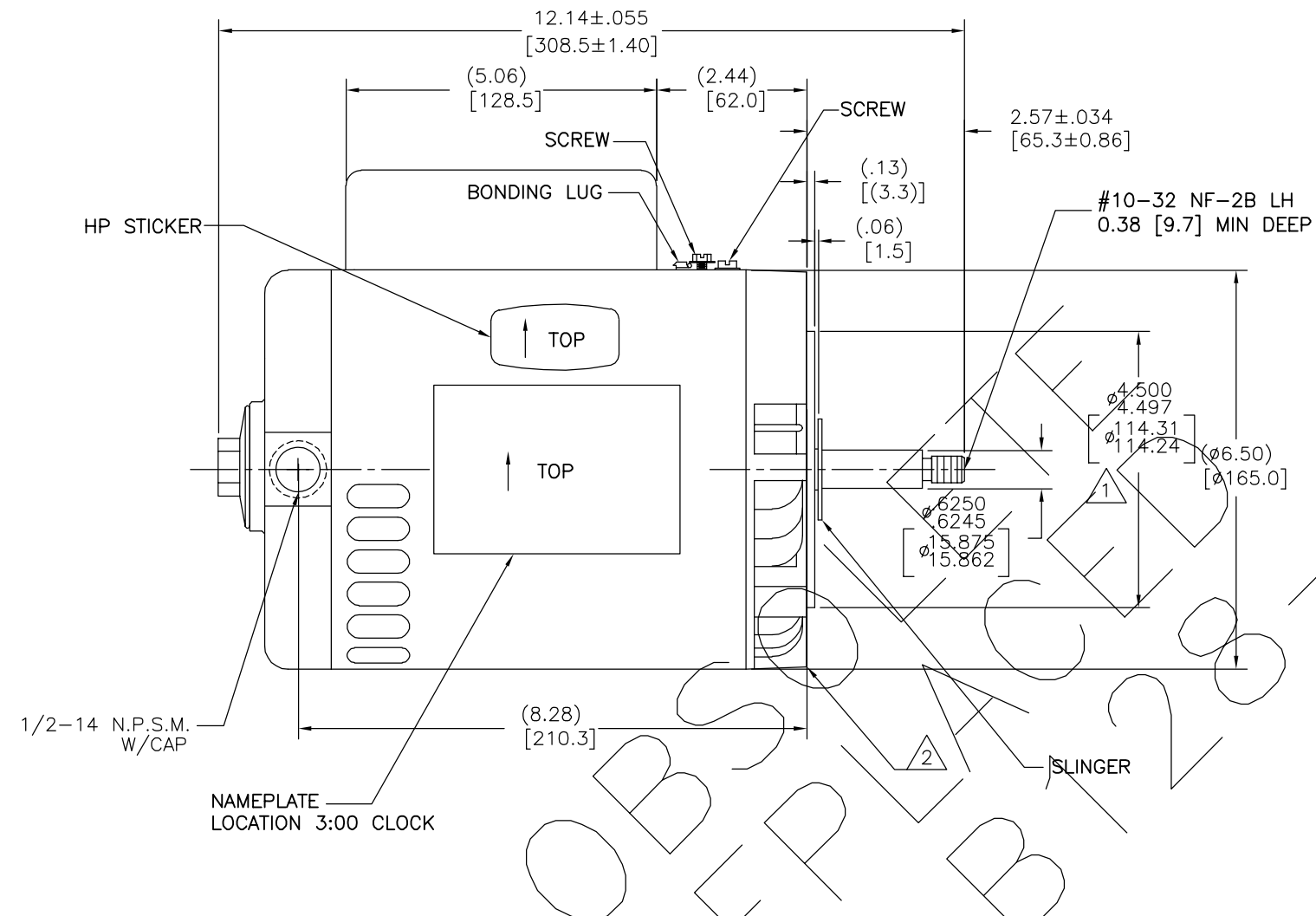
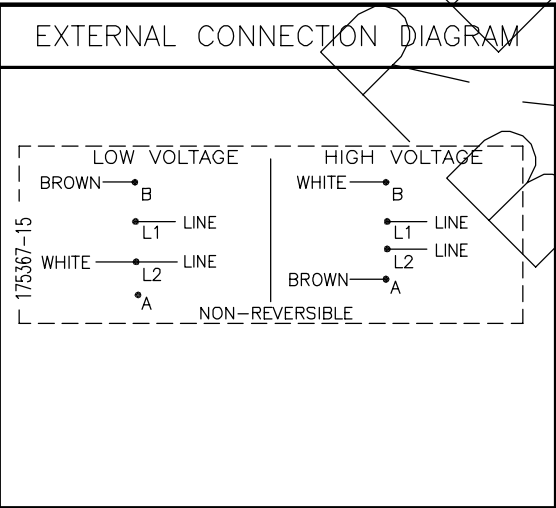


REV	ECO	REV BY	DATE	APPD	DATE
G	ECO-0008802	IVAN LOPEZ	12-29-2009	D.JUAREZ	12-29-2009



NAMEPLATE DATA	
MODEL: 164303	SF: 1.40
CUST PN: B128	
HP: 1.0	
ROT: CW	
RPM: 3450	
TYPE: CX	CODE: J
FORM: -	FRAME: M 56 J
VOLTS: 230/115	
AMPS: SF 7.2/14.4	
MAX AMPS: -	
SF AMPS: -	
PH: 1	HZ: 60
INS: B	AMB: 50°C
DUTY: CONT	
ENCLOSURE: ODP	
THERMALLY PROTECTED	



- NOTES
- 1 PILOT DIAMETER IS CONCENTRIC WITH SHAFT CENTERLINE WITHIN .004[.10] T.I.R.
 - 2 FACE OF MOUNTING FLANGE IS PERPENDICULAR TO SHAFT CENTERLINE WITHIN .004[.10] T.I.R.
 - 3 SHAFT RUNOUT NOT TO EXCEED .002[.05]
 - 4 END PLAY NOT TO EXCEED .010[.25] MEASURED WITH NO THRUST
 - 5 ALL DIMENSIONS SHOWN IN PARENTHESIS ARE REFERENCE DIMENSIONS.

PERFORMANCE CURVE	APPROVED SAMPLE		
16345211	-		
UL COMPONENT	CSA		
FILE#	CCN#	FILE#	GUIDE#
E14663	XEWR23	LR4642	4211-01
CUSTOMER	DISTRIBUTION		

GEOMETRIC CHARACTERISTICS & SYMBOLS

- FLATNESS
- STRAIGHTNESS
- ∠ ANGULARITY
- ⊥ PERPENDICULARITY (SQUARENESS)
- // PARALLELISM
- ROUNDNESS (CIRCULARITY)
- ⊘ CYLINDRICITY
- △ PROFILE OF ANY SURFACE
- ∩ PROFILE OF ANY LINE
- ↑ RUNOUT
- ⊕ TRUE POSITION
- ◎ CONCENTRICITY
- ≡ SYMMETRY

UNLESS OTHERWISE SPECIFIED DIM. TOLERANCES ARE AS FOLLOWS:

INCH X XX XXX XXXX
 mm ±0.5 ±0.13 ±0.013

ANG. ±.50 DEG

REMOVE BURRS & BREAK SHARP EDGES:
 INCH .003-.015 mm 0.1-0.4

CORNER FILLETS TO:
 INCH .020 mm 0.5

MACHINE SURFACES:
 INCH 125 mm 3.2

METRIC DIMS. SHOWN IN [BRACKETS]

DR BY: TTOMLI 04-27-2006

APPD:

THIRD ANGLE PROJECTION

EDS DATE 02-22-2008
 FORMAT REV F

CONFIDENTIAL: THIS DRAWING AND ITS INFORMATION ARE THE EXCLUSIVE AND CONFIDENTIAL PROPERTY OF A.O. SMITH CORP. AND ARE NOT TO BE DISCLOSED, DUPLICATED, DISTRIBUTED OR OTHERWISE USED WITHOUT THE WRITTEN CONSENT OF A.O. SMITH CORP.

-ALL RIGHTS RESERVED. ASME Y14.5M 1994

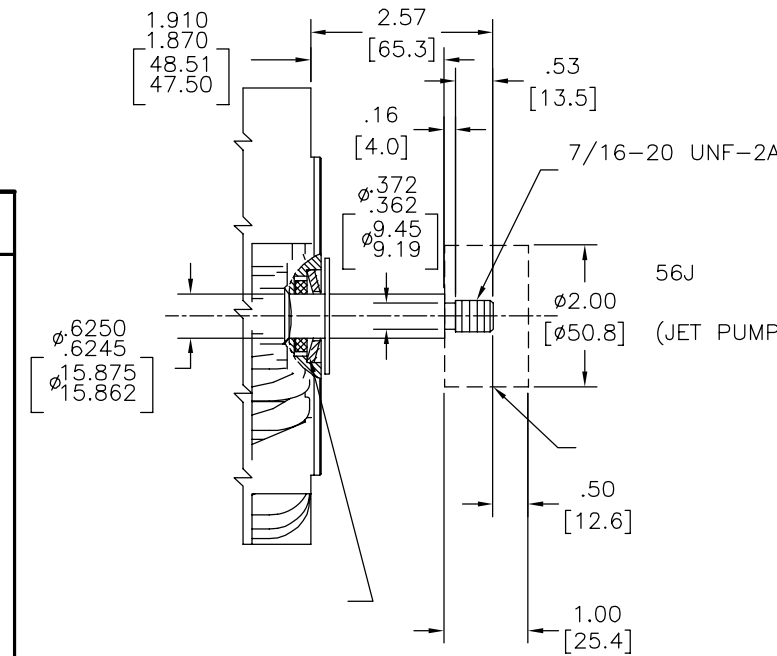
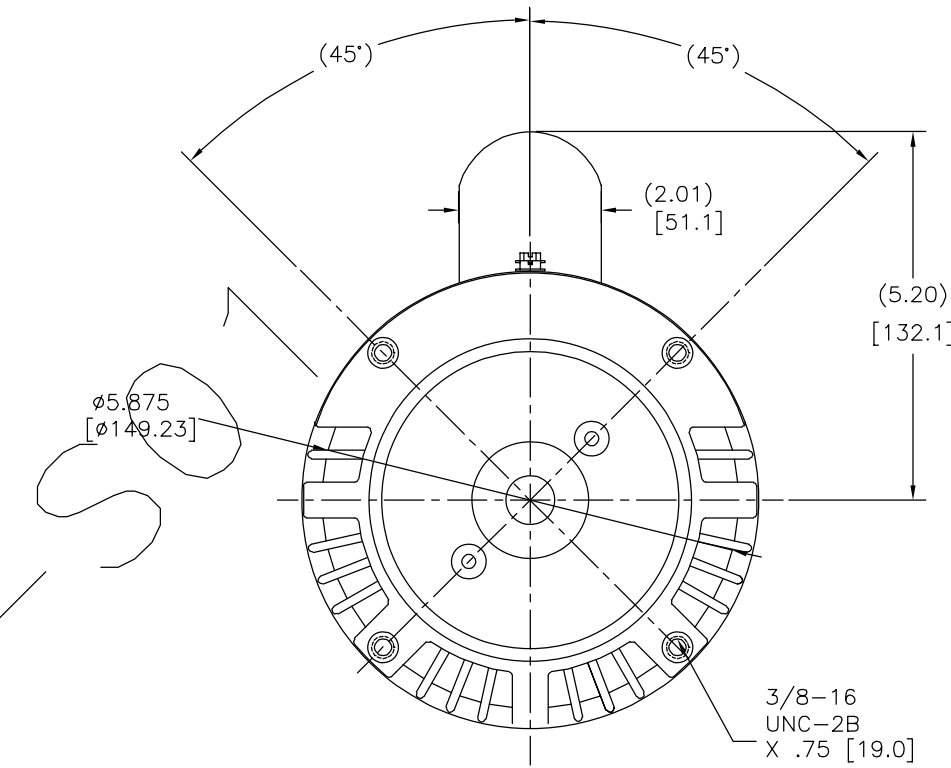
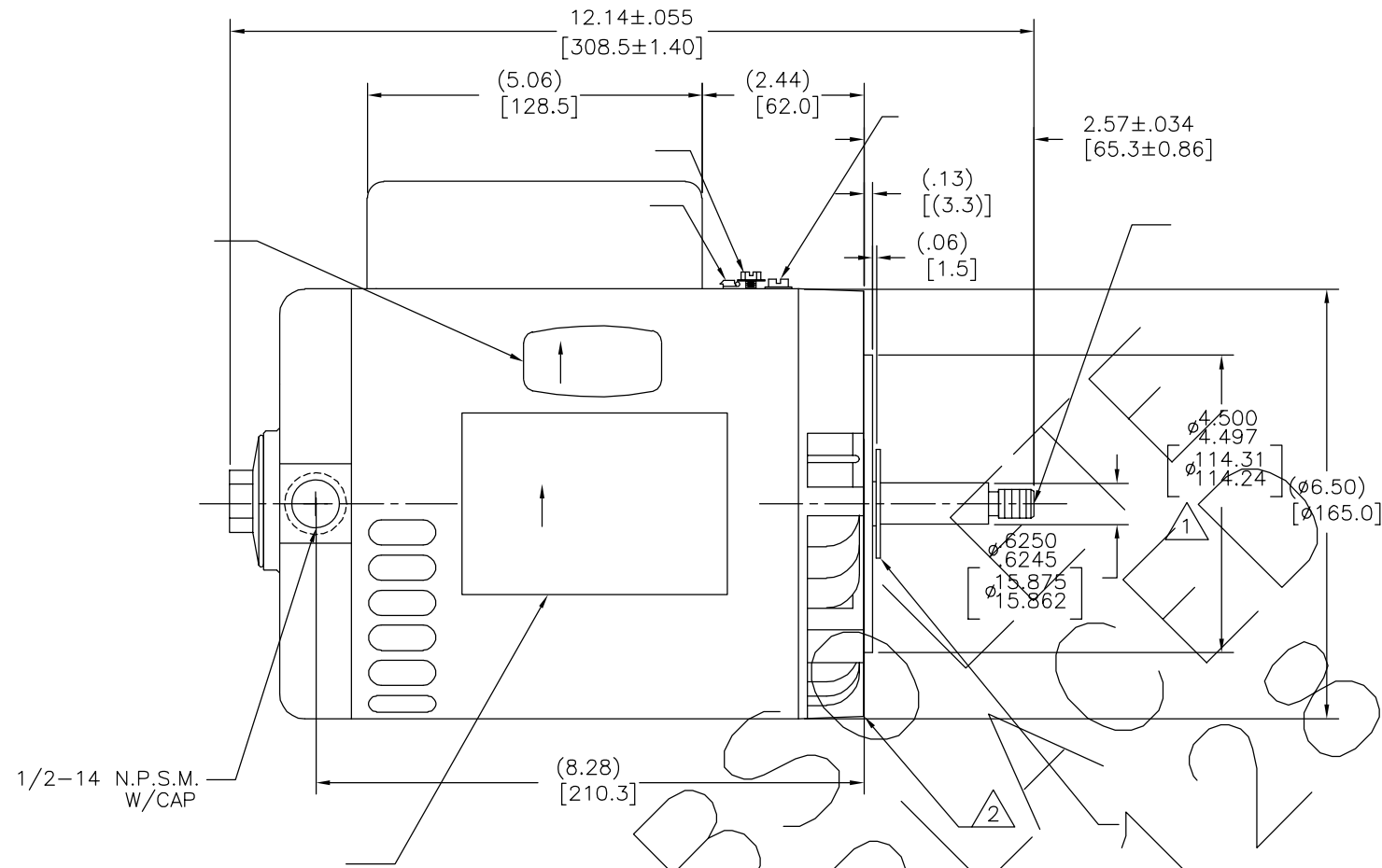
AC Smith **ELECTRICAL PRODUCTS COMPANY**
 Innovation has a name. A DIVISION OF A. O. SMITH CORPORATION

DESCRIPTION: **OUTLINE**

SIZE: C DWG NO: 12732-001

SCALE: NONE SHEET: 1

REVISION:	ECO	REVISADO POR:	FECHA:	APROBADO POR:	FECHA:
G	ECO-0008802	IVAN LOPEZ	12-29-2009	D.JUAREZ	12-29-2009



NAMEPLATE DATA	EXTERNAL CONNECTION DIAGRAM	NOTES
MODEL: 164303 CUST PN: B128 HP: 1.0 SF: 1.40 ROT: CW RPM: 3450 TYPE: CX CODE: J FORM: - FRAME: M 56 J VOLTS: 230/115 AMPS: SF 7.2/14.4 MAX AMPS: - SF AMPS: - PH: 1 HZ: 60 INS: B AMB: 50°C DUTY: CONT ENCLOSURE: ODP THERMALLY PROTECTED		A MENOS QUE SE ESPECIFIQUE DE OTRA MANERA, LAS TOLERANCIAS DE LAS DIMS; SON LAS SIGUIENTES: X XX XXX XXXX PULG ±.1 ±.02 ±.005 ±.0005 mm ±0.5 ±0.13 ±0.013 ANG. ±50 GRADOS ELIMINAR REBABAS Y ORILLAS FILOSAS DEL BORDE. PULG .003-.015 mm 0.1-0.4 FILETEAR ESQUINA: PULG .020 mm 0.5 MAQUINAR SUPERFICIES PULG 125 mm 3.2 DIMS METRICAS MOSTRADAS [PARENTESIS]

PERFORMANCE CURVE	APPROVED SAMPLE	CARACTERISTICAS DE GEOMETRIA Y SIMBOLOS ▽ PLANICIDAD - RECTITUD < ANGULARIDAD ⊥ PERPENDICULARIDAD (A ESCUADRA) // PARALELISMO ○ REDONDEZ (CIRCULARIDAD) ∅ CILINDRICIDAD △ PERFIL DE CUALQUIER SUPERFICIE ∩ PERFIL DE CUALQUIER LINEA ↗ VARIACION ⊕ POSICION REAL ⊙ CONCENTRICIDAD = SIMETRIA	DIBUJADO POR: TTOMLI APROBADO POR: TERCER ANGULO DE PROYECCION CONFIDENCIAL: ESTE DIBUJO Y SU INFORMACION SON PROPIEDAD DE USO EXCLUSIVO Y CONFIDENCIAL DE A.O.SMITH CORP. Y NO DEBERAN SER REVELADOS, DUPLICADOS, DISTRIBUIDOS O USARSE DE OTRA MANERA SIN EL CONSENTIMIENTO ESCRITO DE A.O. SMITH CORP. -TODOS LOS DERECHOS RESERVADOS.ASME Y14.5M 1994
16345211	-		
UL COMPONENT	CSA		
FILE#	CCN#	FILE#	GUIDE#
E14663	XEWR23	LR4642	4211-01
CUSTOMER	DISTRIBUTION		

		ELECTRICAL PRODUCTS COMPANY A DIVISION OF A. O. SMITH CORPORATION	
DESCRIPCION: OUTLINE			
TAMAÑO: C	NUMERO DE DIBUJO: 12732-001		
ESCALA: NONE			HOJA: 1

4

3

2

1

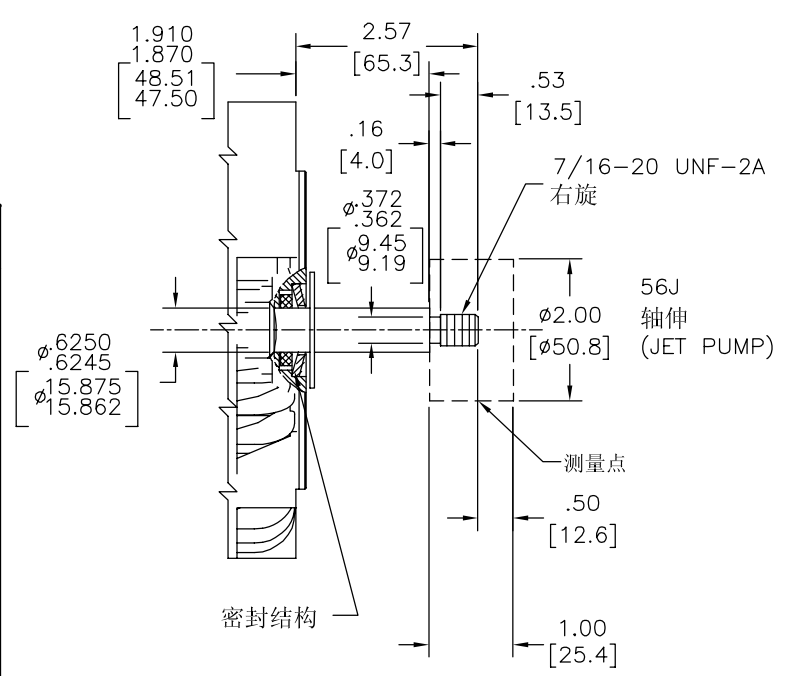
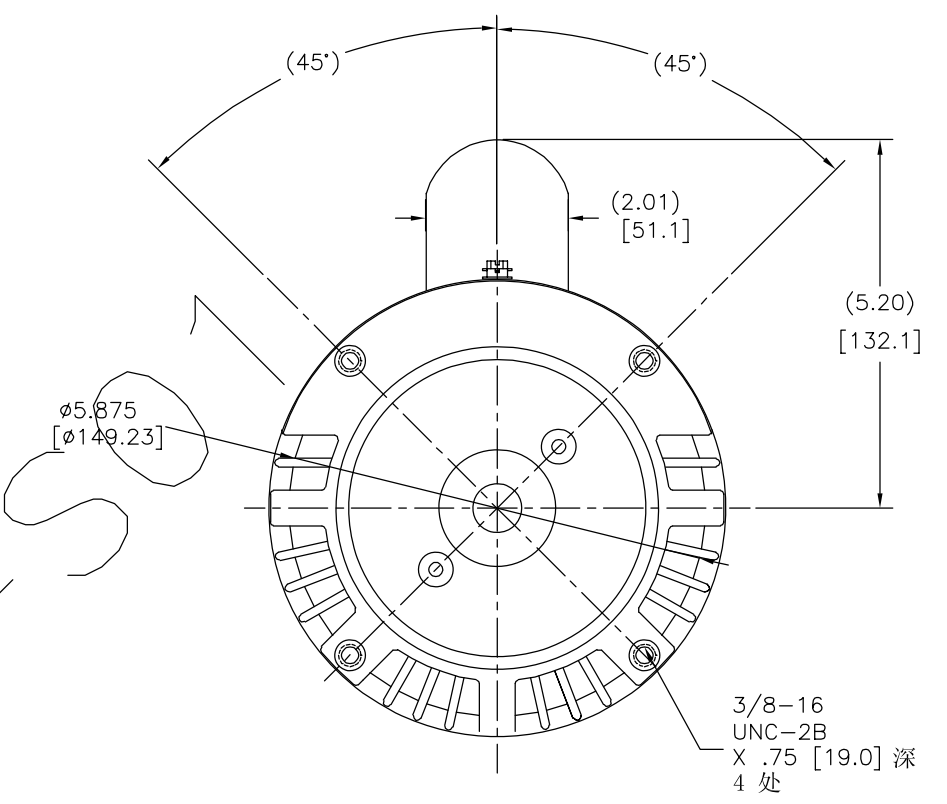
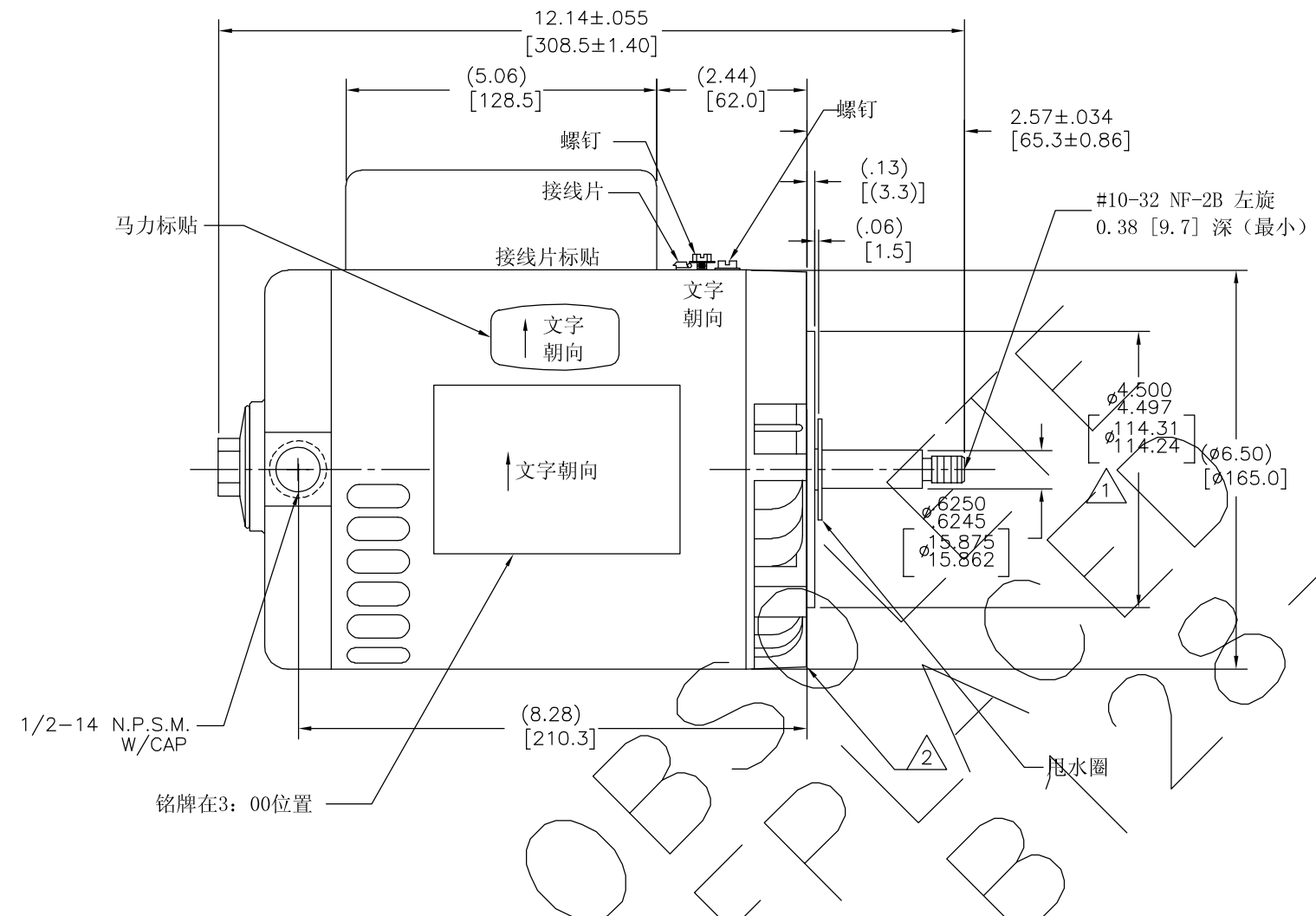
4

3

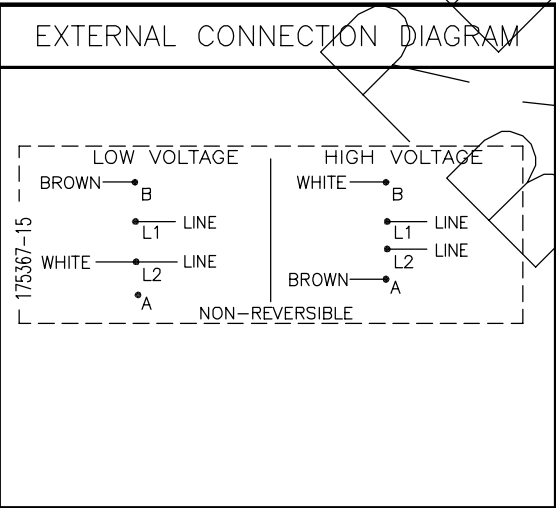
2

1

版本	ECO	编制	日期	批准	日期
G	ECO-0008802	IVAN LOPEZ	12-29-2009	D.JUAREZ	12-29-2009



NAMEPLATE DATA	
MODEL: 164303	SF: 1.40
CUST PN: B128	
HP: 1.0	ROT: CW
RPM: 3450	TYPE: CX
FORM: -	FRAME: M 56 J
VOLTS: 230/115	PH: 1
AMPS: SF 7.2/14.4	HZ: 60
MAX AMPS: -	INS: B
SF AMPS: -	DUTY: CONT
	ENCLOSURE: ODP
	THERMALLY PROTECTED



- NOTES
- 止口直径与轴中心的同心度为.004[.10]
 - 法兰安装端面和轴中心的垂直度为.004[.10]
 - 轴跳动不超过.002[.05]
 - 轴向窜动不超过.010[.25]
 - 括号内尺寸仅为参考尺寸。

PERFORMANCE CURVE	APPROVED SAMPLE		
16345211	-		
UL COMPONENT	CSA		
FILE#	CCN#	FILE#	GUIDE#
E14663	XEWR23	LR4642	4211-01
CUSTOMER	DISTRIBUTION		

形位公差
 □ 平面度
 - 直线度
 < 倾斜度
 ⊥ 垂直度
 // 平行度
 ○ 圆度
 ⊙ 圆柱度
 △ 面轮廓度
 ∩ 线轮廓度
 ↗ 圆跳动
 ⊕ 位置度
 ⊙ 同轴度
 ≡ 对称度

除另有注明
 尺寸公差如下:
 英寸 X XX XXX XXXX
 毫米 ±.1 ±.02 ±.005 ±.0005
 毫米 ±0.5 ±0.13 ±0.013
 角度 ±.50 度
 清理毛刺和尖棱
 英寸 .003-.015 毫米 0.1-0.4
 内圆角
 英寸 .020 毫米 0.5
 表面粗糙度
 英制 125 米制 3.2
 米制尺寸显示在 []

绘图:	TTOMLI	04-27-2006
批准:		
第三角投影	⊕	图纸格式发布日期 02-22-2008 图纸格式版本 F
机密: 本图纸及相关信息所有权归A. O. SMITH公司所有。未经A. O. SMITH公司书面授权, 不得泄露、复制、传播或作其他用途。—版权所有		
ASME Y14.5M 1994		

ACSmith **ELECTRICAL PRODUCTS COMPANY**
 Innovation has a name. A DIVISION OF A. O. SMITH CORPORATION

名称: **OUTLINE**
外形图

图幅: C 图号: 12732-001

比例: NONE 页号: 1