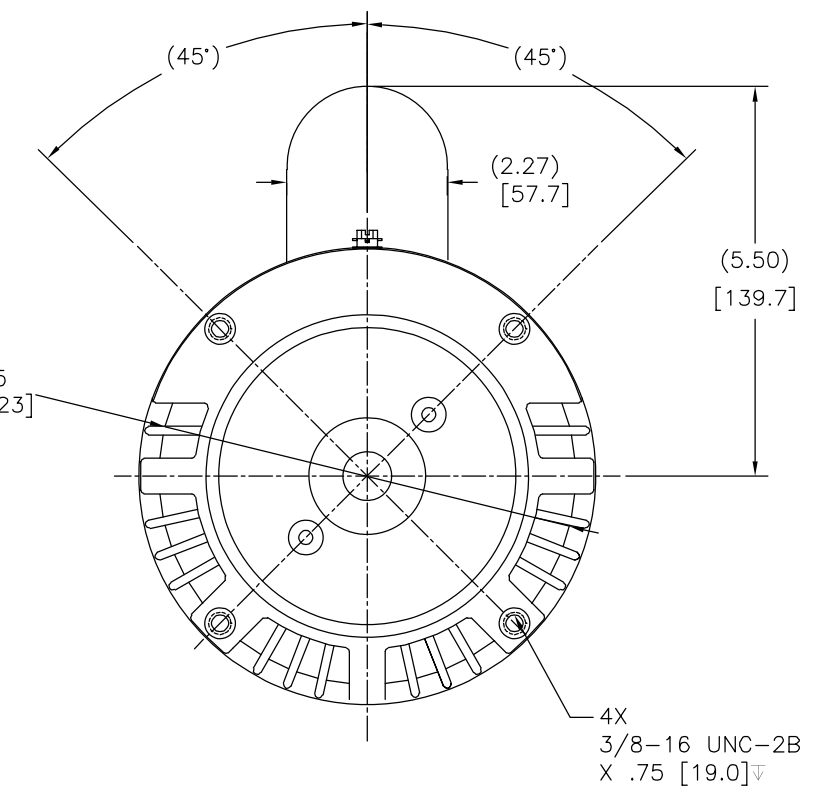
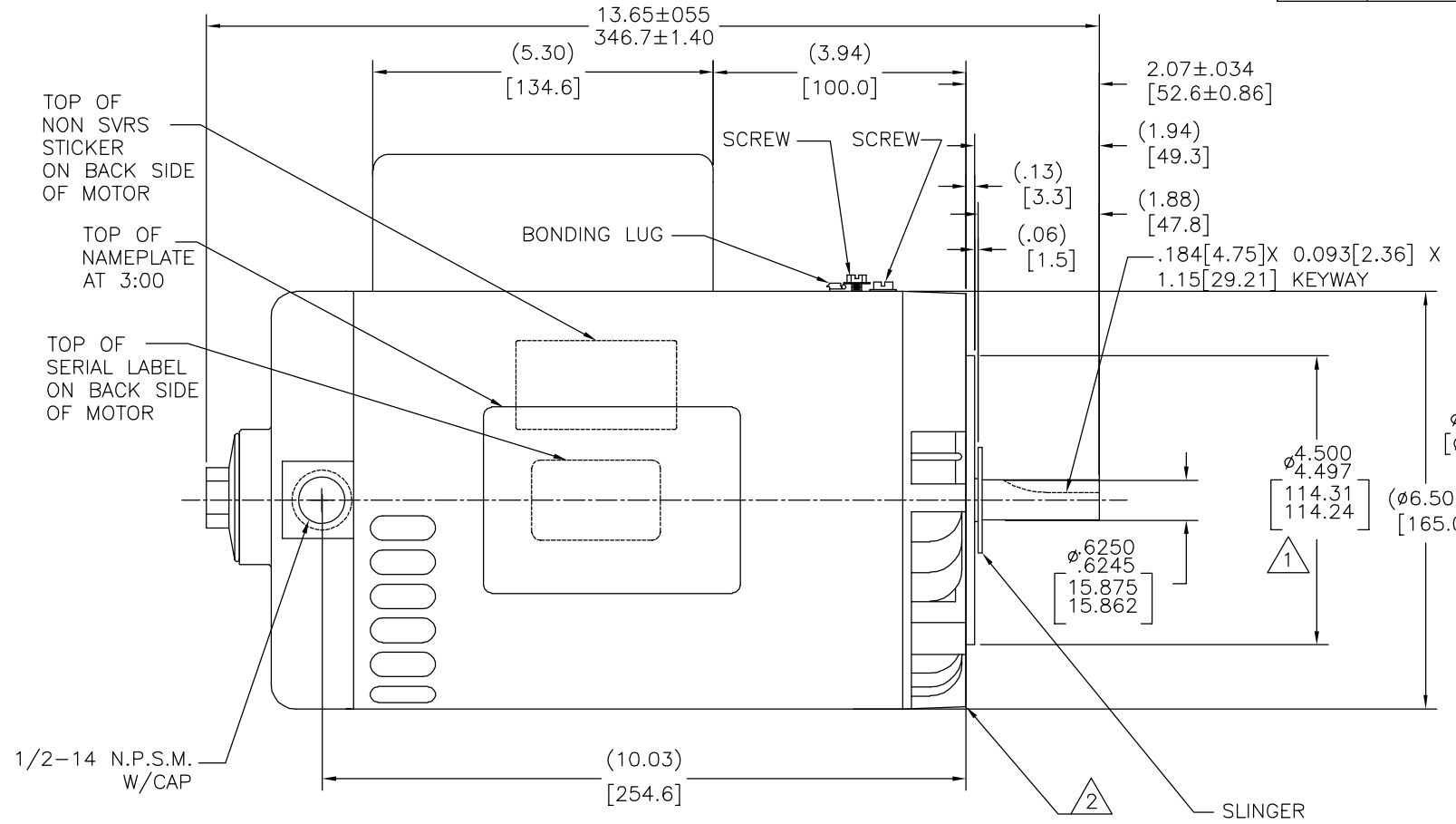


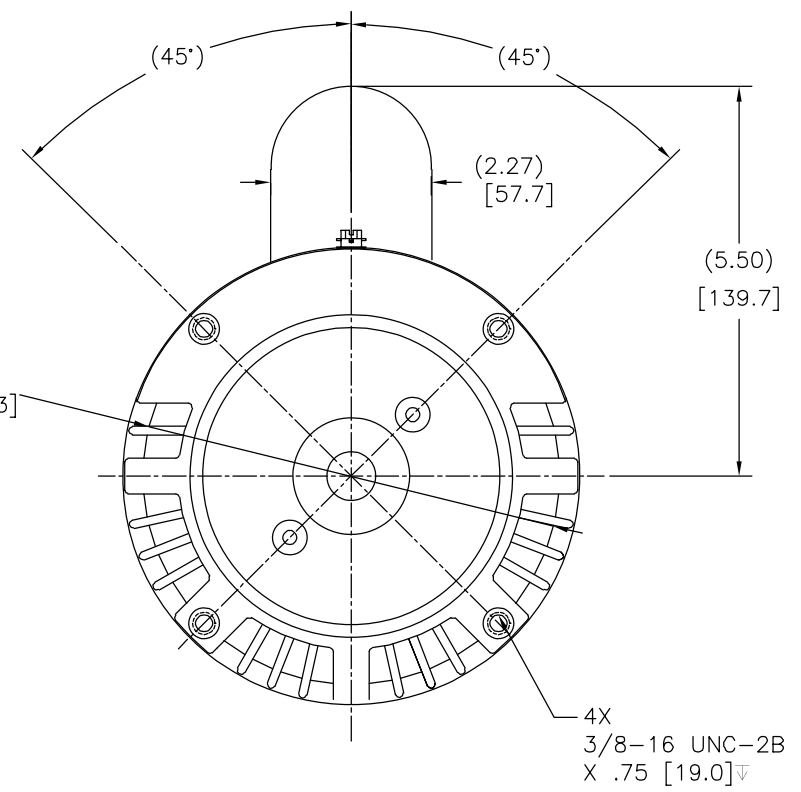
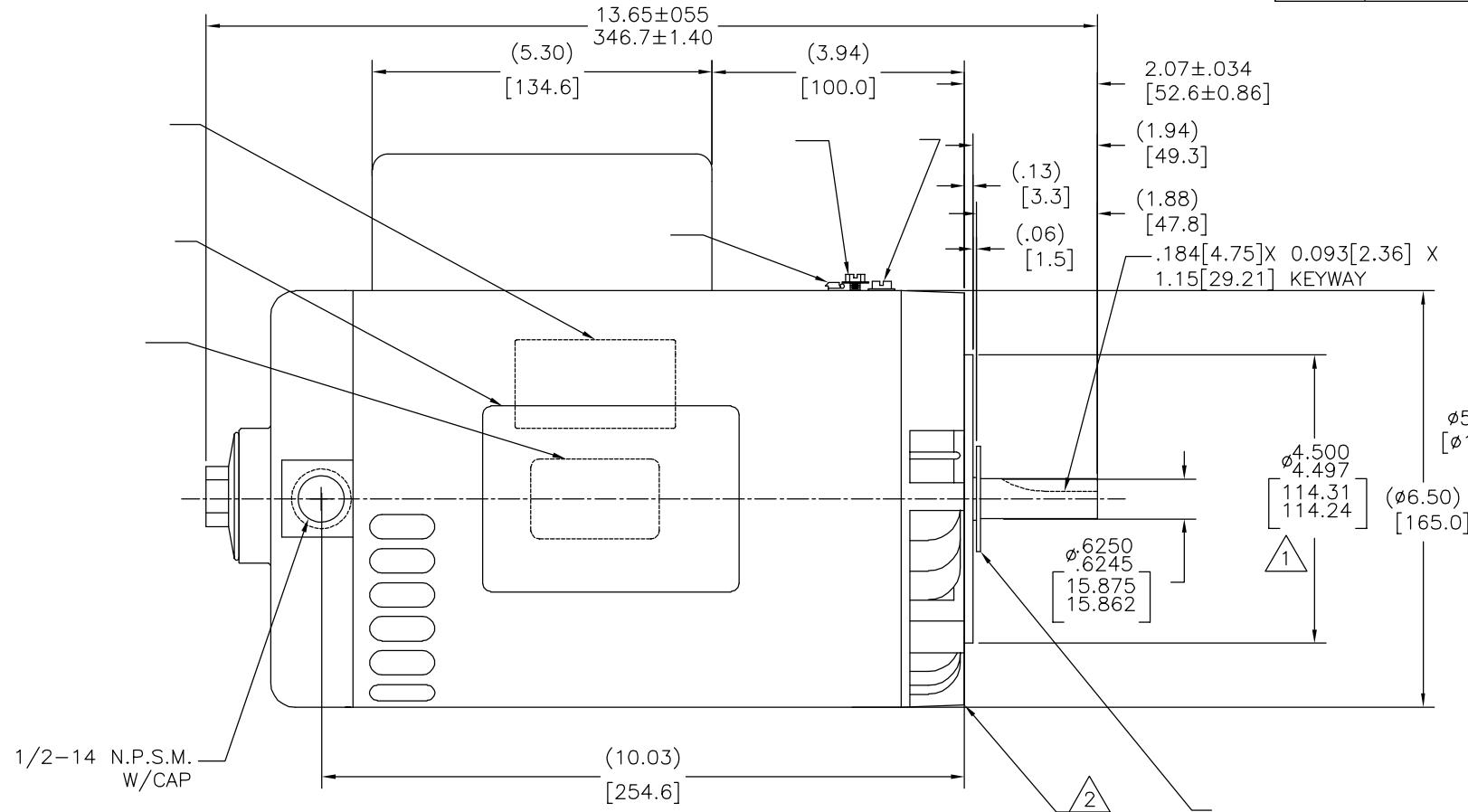
REV	ECO	REV BY	DATE	APPD	DATE
C	0025530	J.M.RAMIREZ	04-25-2012	R.RASCON	04-25-2012



NAMEPLATE DATA	EXTERNAL CONNECTION DIAGRAM	NOTES
MODEL: 159989 CUST PN: B125 HP: 3.0      SF: 1.15 ROT: CCWPE RPM: 3450 TYPE: CX      CODE: F FORM:          FRAME: Y 56 C VOLTS: 230 AMPS: MAX AMPS: SF AMPS: 14.1 PH: 1          HZ: 60 INS: B          AMB: 50°C DUTY: CONT ENCLOSURE: ODP THERMALLY PROTECTED		1 △ PILOT DIAMETER IS CONCENTRIC WITH SHAFT ± WITHIN .004 T.I.R. 2 △ FACE OF MOUNTING FLANGE IS PERPENDICULAR TO SHAFT ± WITHIN .004 T.I.R. 3 SHAFT RUNOUT NOT TO EXCEED .002 T.I.R. 4 END PLAY NOT TO EXCEED .010 MEASURED WITH NO THRUST 5 ALL DIMENSIONS SHOWN IN PARENTHESIS ARE REFERENCE DIMENSIONS.

PERFORMANCE CURVE 15593411	APPROVED SAMPLE CSA	GEOMETRIC CHARACTERISTICS & SYMBOLS ▮ FLATNESS — STRAIGHTNESS ∠ ANGULARITY ⊥ PERPENDICULARITY (SQUARENESS) // PARALLELISM ○ ROUNDNESS (CIRCULARITY) ∅ CYLINDRICITY △ PROFILE OF ANY SURFACE ∩ PROFILE OF ANY LINE ↑ RUNOUT ⊕ TRUE POSITION ⊙ CONCENTRICITY = SYMMETRY ASME Y14.5M 1994	UNLESS OTHERWISE SPECIFIED DIM. TOLERANCES ARE AS FOLLOWS: INCH X XX XXX XXXX ±.1 ±.02 ±.005 ±.0005 mm ±0.5 ±0.13 ±0.013 ANG. ±.50 DEG REMOVE BURRS & BREAK SHARP EDGES: INCH .003-.015 mm 0.1-0.4 CORNER FILLETS TO: INCH .020 mm 0.5 MACHINE SURFACES: INCH 125 mm 3.2 METRIC DIMS. SHOWN IN [BRACKETS]	DR BY: TDT 06-09-2006 APPD: TDT 06-20-2006 THIRD ANGLE PROJECTION EDS DATE 11-11-2011 FORMAT REV G CONFIDENTIAL: THIS DRAWING AND ITS INFORMATION ARE THE EXCLUSIVE AND CONFIDENTIAL PROPERTY OF REGAL-BELOIT CORPORATION AND ARE NOT TO BE DISCLOSED, DUPLICATED, DISTRIBUTED OR OTHERWISE USED WITHOUT THE WRITTEN CONSENT OF REGAL-BELOIT CORPORATION. -ALL RIGHTS RESERVED.	REGAL-BELOIT CORPORATION DESCRIPTION MODEL-CFHP-56FR OUTLINE SIZE C DWG NO B125 SCALE NONE SHEET 1
UL COMPONENT FILE# CCN# FILE# GUIDE# E14663 XEWR2 LR4642 4211-01 CUSTOMER DISTRIBUTION					

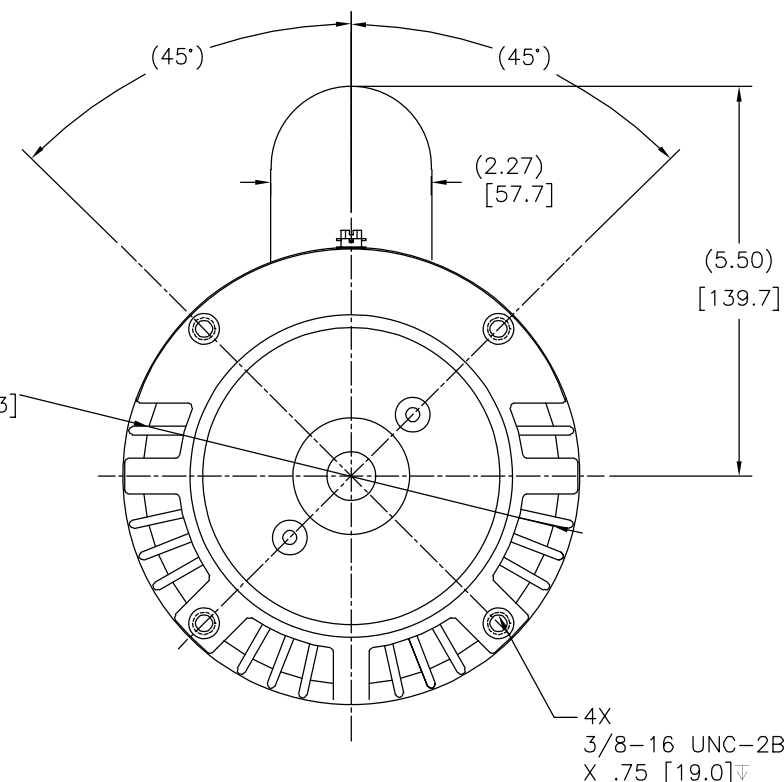
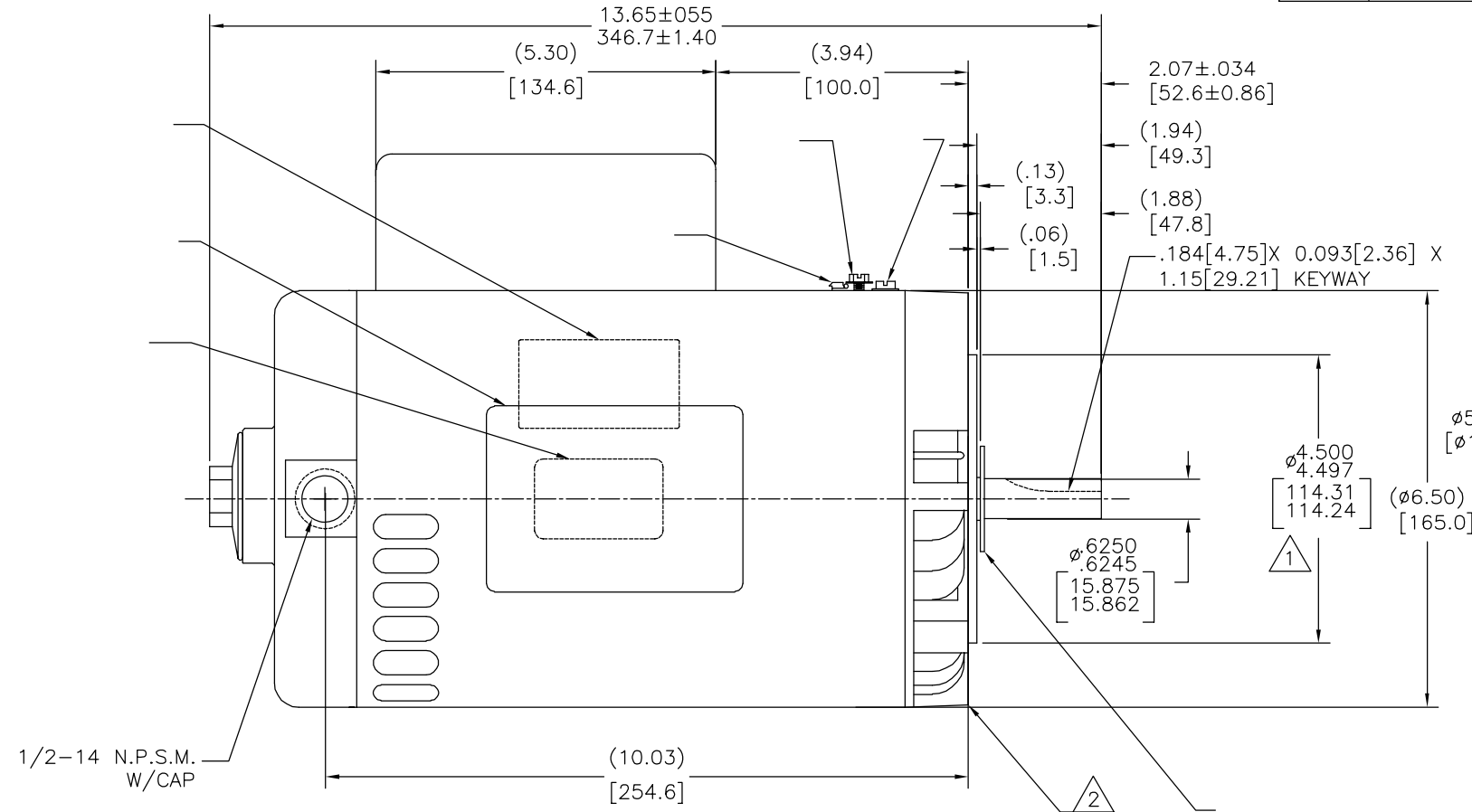
REVISION:	ECO	REVISADO POR:	FECHA:	APROBADO POR:	FECHA:
C	0025530	J.M.RAMIREZ	04-25-2012	R.RASCON	04-25-2012



NAMEPLATE DATA	EXTERNAL CONNECTION DIAGRAM	NOTES
MODEL: 159989 CUST PN: B125 HP: 3.0 SF: 1.15 ROT: CCWPE RPM: 3450 TYPE: CX CODE: F FORM: FRAME: Y 56 C VOLTS: 230 AMPS: MAX AMPS: SF AMPS: 14.1 PH: 1 HZ: 60 INS: B AMB: 50°C DUTY: CONT ENCLOSURE: ODP THERMALLY PROTECTED		1 PILOT DIAMETER IS CONCENTRIC WITH SHAFT $\pm$ WITHIN .004 T.I.R. 2 FACE OF MOUNTING FLANGE IS PERPENDICULAR TO SHAFT $\pm$ WITHIN .004 T.I.R. 3 SHAFT RUNOUT NOT TO EXCEED .002 T.I.R. 4 END PLAY NOT TO EXCEED .010 MEASURED WITH NO THRUST 5 ALL DIMENSIONS SHOWN IN PARENTHESIS ARE REFERENCE DIMENSIONS.

PERFORMANCE CURVE	APPROVED SAMPLE	CARACTERISTICAS DE GEOMETRIA Y SIMBOLOS □ PLANICIDAD — RECTITUD < ANGULARIDAD ⊥ PERPENDICULARIDAD (A ESCUADRA) // PARALELISMO ○ REDONDEZ (CIRCULARIDAD) ∅ CILINDRICIDAD △ PERFIL DE CUALQUIER SUPERFICIE ▲ PERFIL DE CUALQUIER LINEA † VARIACION ⊕ POSICION REAL ⊙ CONCENTRICIDAD = SIMETRIA	DIBUJADO POR: TDT 06-09-2006 APROBADO POR: TDT 06-20-2006 TERCER ANGULO DE PROYECCION FECHA EDS: 11-11-2011 REV. FORMATO: G	REGAL-BELOIT CORPORATION DESCRIPCION: MODEL-CFHP-56FR OUTLINE TAMAÑO: C NUMERO DE DIBUJO: B125 ESCALA: NONE HOJA: 1
15593411	CSA		A MENOS QUE SE ESPECIFIQUE DE OTRA MANERA, LAS TOLERANCIAS DE LAS DIMS; SON LAS SIGUIENTES: PULG ±.1 ±.02 ±.005 ±.0005 mm ±0.5 ±0.13 ±0.013 ANG. ±.50 GRADOS ELIMINAR REBABAS Y ORILLAS FILOSAS DEL BORDE. PULG .003-.015 mm 0.1-0.4 FILETEAR ESQUINA: PULG .020 mm 0.5 MAQUINAR SUPERFICIES PULG 125 mm 3.2 DIMS METRICAS MOSTRADAS [PARENTESIS]	
UL COMPONENT	CSA			
FILE#	CCN#	FILE#	GUIDE#	
E14663	XEWR2	LR4642	4211-01	
CUSTOMER	DISTRIBUTION			

版本	ECO	编制	日期	批准	日期
C	0025530	J.M.RAMIREZ	04-25-2012	R.RASCON	04-25-2012



NAMEPLATE DATA	EXTERNAL CONNECTION DIAGRAM	NOTES
MODEL: 159989 CUST PN: B125 HP: 3.0 SF: 1.15 ROT: CCWPE RPM: 3450 TYPE: CX CODE: F FORM: FRAME: Y 56 C VOLTS: 230 AMPS: MAX AMPS: SF AMPS: 14.1 PH: 1 HZ: 60 INS: B AMB: 50°C DUTY: CONT ENCLOSURE: ODP THERMALLY PROTECTED		1 PILOT DIAMETER IS CONCENTRIC WITH SHAFT $\perp$ WITHIN .004 T.I.R. 2 FACE OF MOUNTING FLANGE IS PERPENDICULAR TO SHAFT $\perp$ WITHIN .004 T.I.R. 3 SHAFT RUNOUT NOT TO EXCEED .002 T.I.R. 4 END PLAY NOT TO EXCEED .010 MEASURED WITH NO THRUST 5 ALL DIMENSIONS SHOWN IN PARENTHESIS ARE REFERENCE DIMENSIONS.

PERFORMANCE CURVE	APPROVED SAMPLE		
15593411			
UL COMPONENT	CSA		
FILE#	CCN#	FILE#	GUIDE#
E14663	XEWR2	LR4642	4211-01
CUSTOMER	DISTRIBUTION		

形位公差	除另有注明
□ 平面度	尺寸公差如下:
— 直线度	英寸 X XX XXX XXXX
∠ 倾斜度	英寸 ±.1 ±.02 ±.005 ±.0005
⊥ 垂直度	毫米 ±0.5 ±0.13 ±0.013
∥ 平行度	角度 ±.50 度
○ 圆度	清理毛刺和尖棱
⊘ 圆柱度	英寸 .003-.015 毫米 0.1-0.4
△ 面轮廓度	内圆角
∩ 线轮廓度	英寸 .020 毫米 0.5
↗ 圆跳动	表面粗糙度
⊕ 位置度	英制 125 米制 3.2
⊙ 同轴度	米制尺寸显示在 [ ]
≡ 对称度	

绘图:	TDT	06-09-2006
批准:	TDT	06-20-2006
第三角投影		图纸格式发布日期 11-11-2011 图纸格式版本 G
机密: 本图纸及相关信息所有权归REGAL-BELOIT CORPORATION. 未经REGAL-BELOIT CORPORATION书面授权, 不得泄露、复制、传播或作其他用途。一版权所有		

名称	
MODEL-CFHP-56FR OUTLINE	
图幅	图号
C	B125
比例	页号
NONE	1

ASME Y14.5M 1994
------------------