

18" x 18" Square Frame with Four (4) 9"x9" "Wave" Anti-Entrapment Suction Outlet Covers

VGB Series

Product Specification Sheet

The AquaStar line of suction outlet covers compliant with the new Virginia Graeme-Baker Pool and Spa Safety Act (ASME/ANSI A112.19.8a-2008)

Features

For Single or Multiple Drain Use
(See Installation Instructions)

Single:
Floor/Wall: 775 GPM at 1.4 fps
(Floor/Wall: 828 GPM at 1.5 fps)

176.8 square inch opening

Lime Green Colored "Swimming Man" Plug Easily Identifies VGB 2008 Compliant Cover from On Deck and Underwater

#316 Stainless Steel Screws

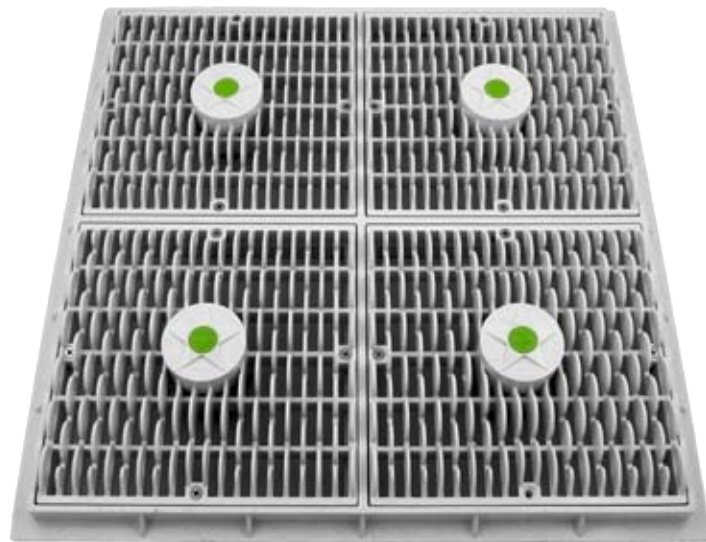
Manufactured from superior UV-resistant engineered polymers

See cross-reference chart and installation instructions for details and special requirements*

All components (covers, frame, screws) meet or exceed NSF 50/ASME/ANSI A112.19.8a-2008 national standards and ASTM G154 UV testing exposure

6 Per Case

Especially designed and engineered for ALL 1.0 and 1.5 fps states - great for gravity drain systems as well as direct suction



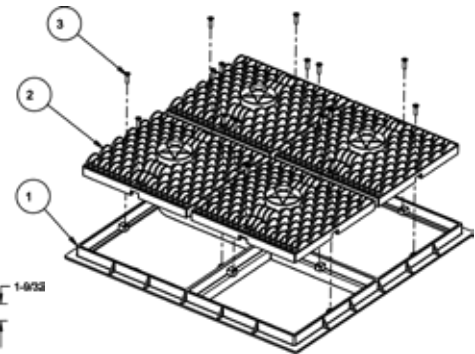
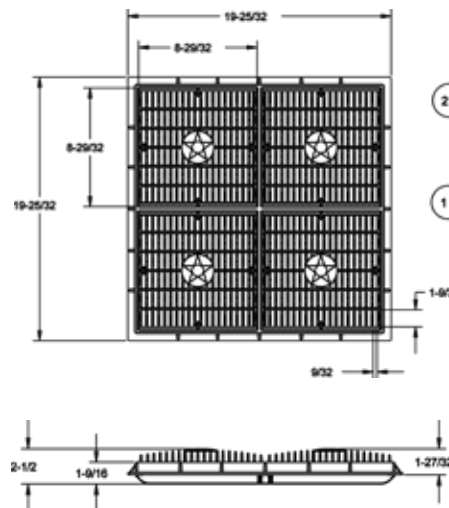
Model # WAV18xxx

*Grates Fit: AquaStar (p/n 18xxx, pre-VGB "flat"); Pentair (#1 selling) with 3/4" deep existing window grid frame and 4x4 screw hole pattern

Part Numbers / Colors

- WAV18101 White
- WAV18102 Black
- WAV18103 Lt. Gray
- WAV18104 Blue
- WAV18105 Dk. Gray
- WAV18106 Bone
- WAV18107 Taupe
- WAV18108 Tan

Frame included
VGB 2008
Compliant



1. 18" x 18" Square Frame
2. Four (4) 9"x9" "Wave" Anti-Entrapment Suction Outlet Covers
3. #316 Stainless Steel Flat Head #10 Phillips Screw, qty 16