

12" x 12" Square "Wave" Anti-Entrapment Suction Outlet Cover and Frame

VGB Series

Product Specification Sheet

The AquaStar line of suction outlet covers compliant with the new Virginia Graeme-Baker Pool and Spa Safety Act (ASME/ANSI A112.19.8a-2008)

Features

For Single or Multiple Drain Use
(See Installation Instructions)

Single:
Floor/Wall: 361 GPM at 1.3 fps
(Floor/Wall: 400 GPM at 1.5 fps)

85.2 square inch opening

Lime Green Colored "Swimming Man" Plug
Easily Identifies VGB 2008 Compliant Cover
from On Deck and Underwater

#316 Stainless Steel Screws

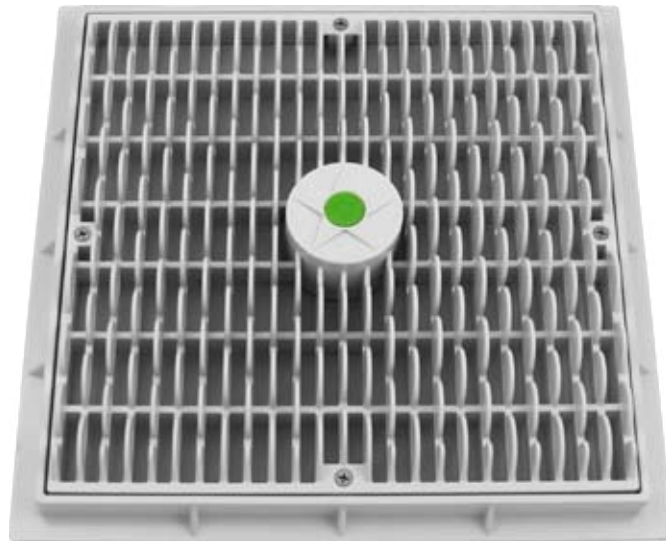
Manufactured from superior UV-resistant
engineered polymers

Easily and safely retrofits to most brand's
existing frames* (see cross-reference chart
and installation instructions for details and
special requirements)

All components (cover, frame, screws) meet
or exceed NSF 50/ASME/ANSI A112.19.8-
2008a national standards and ASTM G154
UV testing exposure

12 Per Case

Especially designed and engineered for ALL 1.0 and 1.5 fps states -
great for gravity drain systems as well as direct suction



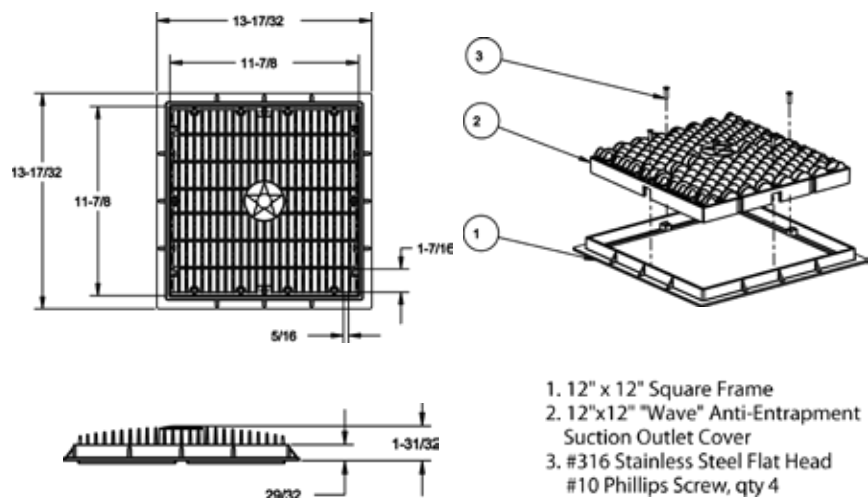
Model # WAV12xxx

*Fits: AquaStar (p/n 12xxx, pre-VGB "flat"); Pentair (#1 selling) with 3/4" deep existing frames and 4 screw hole pattern

Part Numbers / Colors

- WAV12101 White
- WAV12102 Black
- WAV12103 Lt. Gray
- WAV12104 Blue
- WAV12105 Dk. Gray
- WAV12106 Bone
- WAV12107 Taupe
- WAV12108 Tan

Frame included
VGB 2008
Compliant



1. 12" x 12" Square Frame
2. 12"x12" "Wave" Anti-Entrapment Suction Outlet Cover
3. #316 Stainless Steel Flat Head #10 Phillips Screw, qty 4