

32" Channel Drain Flat Grate Anti-Entrapment Suction Outlet Cover and Frame

VGB Series

Product Specification Sheet

The AquaStar line of suction outlet covers, compliant with the new Virginia Graeme-Baker Pool and Spa Safety Act (ASME/ANSI A112.19.8a-2008)

Features

A single, unblockable suction outlet that exceeds the new VGB mandate and ASME/ANSI A112.19.8a-2008 standard

For single or multiple drain use (see installation instructions for plumbing, hydrostatic valve/drain pipe and single or multi-pump connections)

Single

Floor: 316 GPM at 3.9 fps
Wall: 208 GPM at 2.6 fps

Dual

Floor: 632 GPM at 3.9 fps
Wall: 416 GPM at 2.6 fps
Floor/wall: 242 GPM at 1.5 fps

25.9 square inch opening

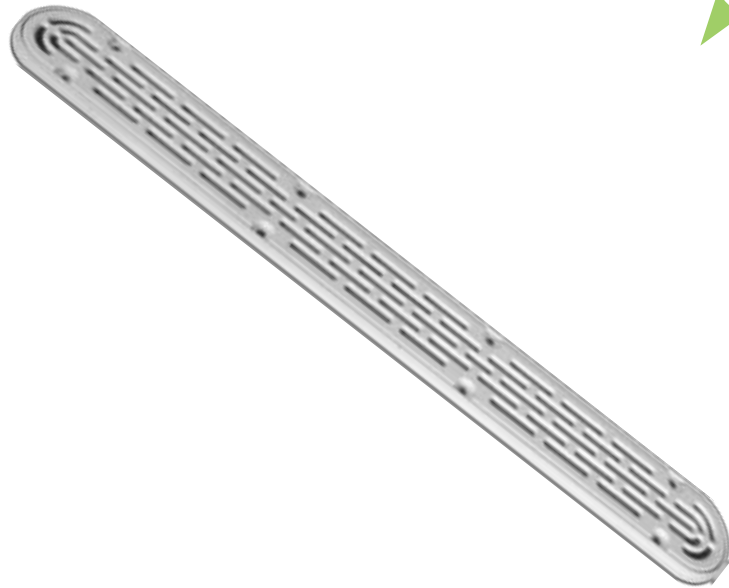
Manufactured from superior UV-resistant engineered polymers

Meets or exceeds NSF 50/ASME/ANSI A112.19.8a-2008 national standards and ASTM G154 UV testing

Listed with IAPMO R&T

12 per case

The Unblockable![™]



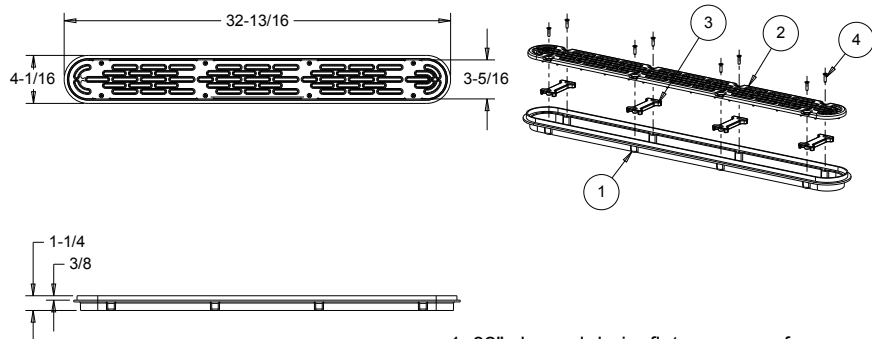
For field-fabricated sump (concrete pools)
Model # 32CDFLFRxxx

Two Drains in One!!!

Part Numbers / Colors

- 32CDFLFR101 White
- 32CDFLFR102 Black
- 32CDFLFR103 Lt. Gray
- 32CDFLFR104 Blue
- 32CDFLFR105 Dk. Gray
- 32CDFLFR106 Bone
- 32CDFLFR107 Taupe
- 32CDFLFR108 Tan

**VGB 2008
Compliant**



1. 32" channel drain, flat, no sump, frame
2. 32" channel drain, flat, no sump, cover
3. 32" channel drain, flat, no sump, support, "dog bones" to be removed prior to suction outlet cover installation
4. #10 flat head phillips screw, qty 8