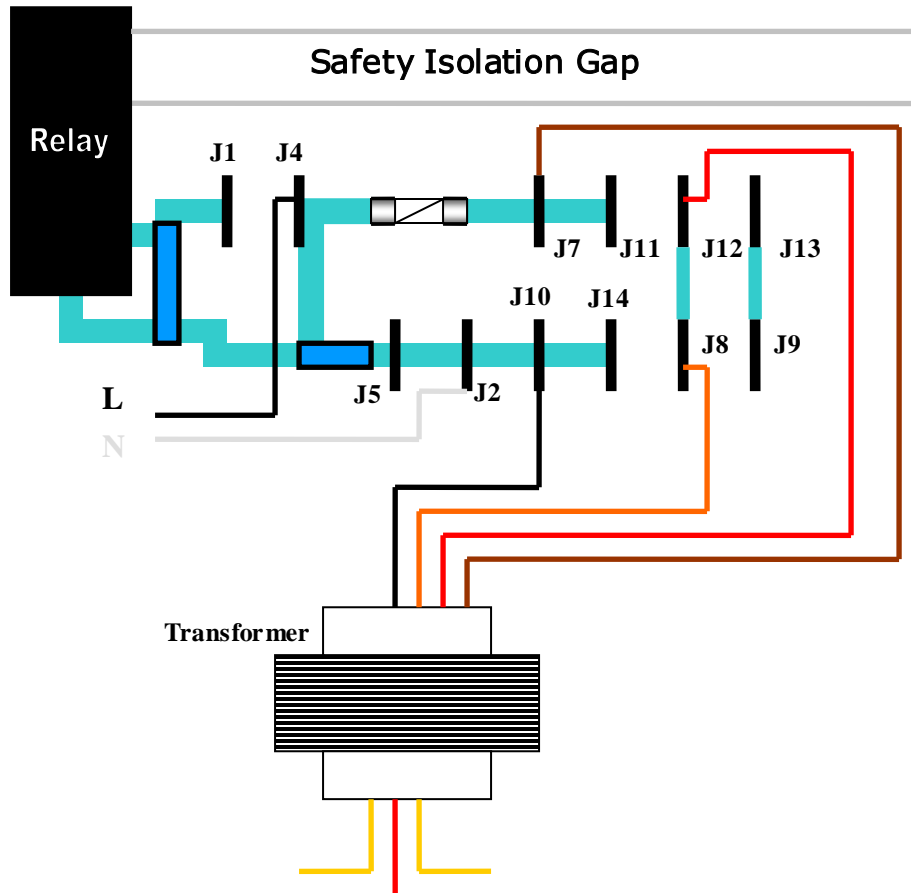


INTERNAL TRANSFORMER CONNECTIONS

230VAC Connections



Electrical Connections for 230VAC Model

Compu Pool products recommend that a licensed electrician or certified electrical contractor perform the electrical connections. Connecting to 230VAC is accomplished by accessing the main power printed circuit board inside the chlorinator. There are **no** jumpers when connecting 230VAC as per the above schematic.

All wiring is factory fitted

For 230VAC; Black (Bl) = Line or Active, White (W) = Neutral,
Green w/Yellow tracer (Gr/Yel) = Earth Ground