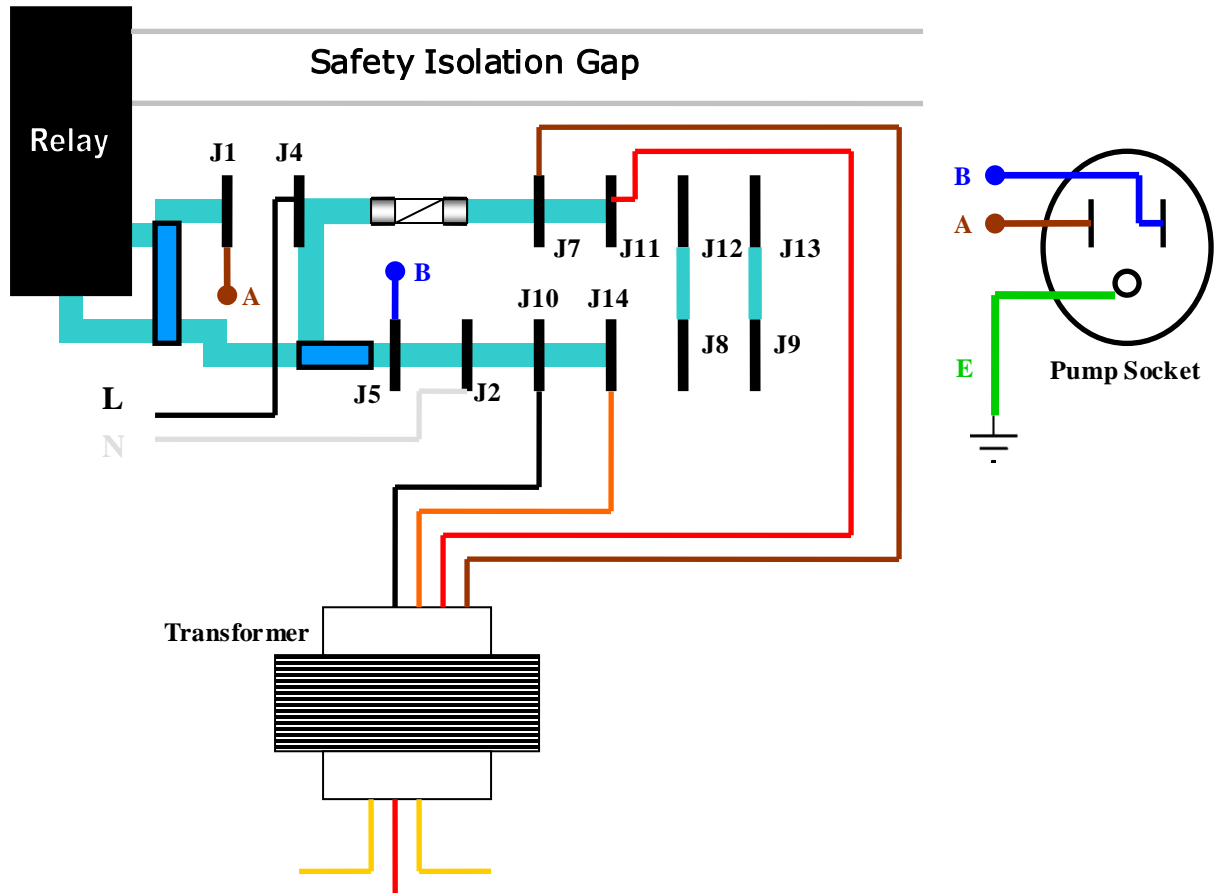


INTERNAL TRANSFORMER CONNECTIONS

115VAC Connections



Electrical Connections for 110-115VAC Model

Compu Pool products recommend that a licensed electrician or certified electrical contractor perform the electrical connections. Connecting to 115VAC is accomplished by accessing the main power printed circuit board inside the chlorinator and attaching the wires as per the above diagram.

All wiring is factory fitted

For 115VAC; Black (Bl) = Line or Active, White (W) = Neutral,
Green w/Yellow tracer (Gr/Yel) = Earth Ground