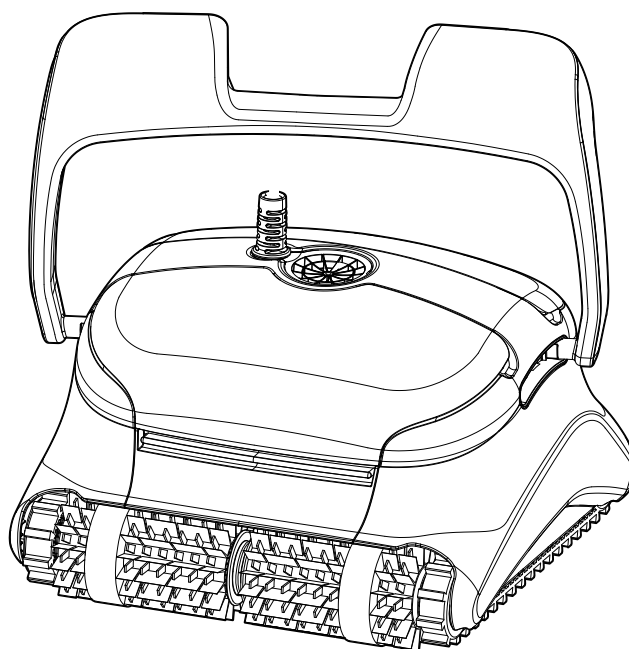


CLASSIC 8+ / TOP 8

Maytronics Dolphin robotic pool cleaner

EN

User Instructions



EN

CLASSIC 8+ / TOP 8

Robotic Pool Cleaner

User Instructions

Contents

1. INTRODUCTION	2
2. SPECIFICATIONS	2
3. WARNINGS AND CAUTIONS	2
4. ROBOTIC POOL CLEANER PARTS	4
5. USE THE POOL CLEANER.....	5
5.1 Setup	5
5.2 Adjust the Handle Angle.....	5
5.3 Place the Pool Cleaner in the Pool.....	6
6. USE THE MyDolphin™ Plus IOT MOBILE APP.....	7
6.1 Getting Started with the MyDolphin™ Plus App.....	7
6.2 Prepare the Pool Cleaner for Connection.....	7
6.3 Activate the Pool Cleaner Using your Mobile Smart Device.....	7
6.4 Led Lighs	8
7. HOW TO USE THE REMOTE CONTROL	9
7.1 Getting Started with the Remote Control.....	9
7.2 Automatic Mode.....	10
7.3 Manual Drive Mode.....	10
7.4 Removing the Pool Cleaner from the water	11
8. OFF SEASON STORAGE	11
9. ROUTINE MAINTENANCE.....	12
10. TROUBLESHOOTING	14
11. MyDolphin™ Plus - TROUBLESHOOTING.....	15

1. INTRODUCTION

Thank you for purchasing a Maytronics Robotic Pool Cleaner.

We are sure that your Maytronics Robotic Pool Cleaner will provide you with reliable, convenient and cost-effective pool cleaning.

Its reliable filtration in all pool conditions, active brushing, and all-surface climbing brush enhance maximum pool hygiene.

2. SPECIFICATIONS

Robot

Motor protection: IP 68

Minimum depth: 0.4 m (1.33 ft)

Maximum depth: 5 m (16.4 ft)

Digital switch-mode power supply

IP 54

Input: 100-250 AC Volts, 50-60Hertz, 180 Watt

Output: <30VDC

Bluetooth®/Wifi® Max tras power 10mW EIRR, 2.4 GHz frequency

This product is in accordance with EU Regulation & Directive 2014/531EU.

For full information, please contact us at www.maytronics.com/contact-us-en and ask for the EC declaration of conformity.

3. WARNINGS AND CAUTIONS

IMPORTANT SAFETY INSTRUCTIONS

READ AND FOLLOW ALL INSTRUCTIONS

Please adhere strictly to the following WARNINGS:



Ensure the electrical outlet is protected by a Ground Fault Interrupter (GFI) or an Earth Leakage Interrupter (ELI).



Keep the power supply out of standing water.



Position the power supply at least 3.5 m (12 ft) away from the edge of the pool.



Do not enter the pool while the Pool Cleaner is in the water.



Unplug the power supply before servicing.



Take the Robot Pool Cleaner out of the pool before allowing people to enter the pool.



When examining the Robot Pool Cleaner, disconnect the main power supply.



Ensure that children do not attempt to access Robot Pool Cleaner while it is operating.



Keep the Robot Pool Cleaner out of the reach of children or persons with reduced physical, sensory or mental capabilities, or lack of experience and knowledge, unless they have been given supervision or instruction.



The unit must be connected only to a supply circuit that is protected by a ground-fault circuit interrupter (GFCI). This GFCI should be tested on a routine basis. To test the GFCI, push the test button. The GFCI should interrupt power. Push the reset button. Power should be restored. If the GFCI fails to operate in this manner, the GFCI is defective. If the GFCI interrupts power to the power unit without the test button being pushed, a ground current may be flowing, indicating the possibility of an electric shock. Do not use the power unit. Disconnect the power unit and contact the manufacturer for assistance.



Only an original power supply and power cable must be used, at all times. Replaced by a Robot Pool Cleaner certified technician, in case of need to avoid hazard.



To reduce the risk of electric shock replace damaged cord immediately. Do not use extension cord to connect unit to electric supply; provide a properly located outlet.



Keep the Robotic Pool Cleaner out of the reach of children or persons with reduced physical, sensory, or mental capabilities, or lack of experience and knowledge, unless they have been given supervision or instruction.

Please ensure that the following PRECAUTIONS are implemented:



Operator should keep hands away from driving belt mechanism.



Position the Caddy and power supply at least 3.5m/12ft from pool's edge – during operation.



For continued protection against possible electric shock, the power supply unit should be placed at least 11cm/4in above ground.



When lifting the Robot Pool Cleaner, take care to prevent back injury.



Do not bury cord – locate cord to minimize abuse from lawn mowers, hedge trimmers and other equipment.



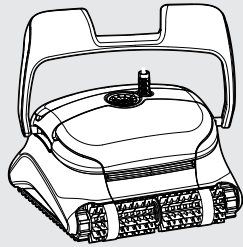
This Robot is for use with permanently installed pools. Do not use with storable pools. A permanently installed pool is constructed in or on the ground or in building such that it cannot be readily disassembled for storage and reassembled to its original integrity.

When not in use, store the Pool Cleaner on its Caddy in a shaded area. Use the Pool Cleaner in the following water conditions only.

Chlorine	Max 4 PPM
pH	7.0-7.8 PPM
Temperature	6 °C – 35 °C (43 °F – 95 °F) (below 15 °C (59 °F) climbing performance may be affected)
NaCl	Maximum = 5000 PPM

4. ROBOTIC POOL CLEANER PARTS

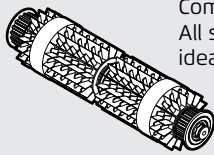
► Robotic Pool Cleaner



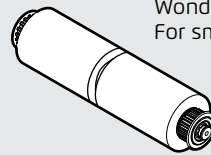
Remote Control Unit - Optional



► Brushes

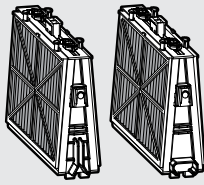


Combined Brush
All surface climbing brush,
ideal for most pool surfaces.

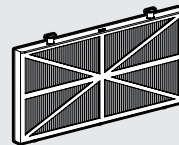


Wonder Brush
For smooth ceramics.

► Filtration

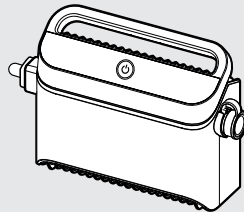


Cartridge with net filters (X4)

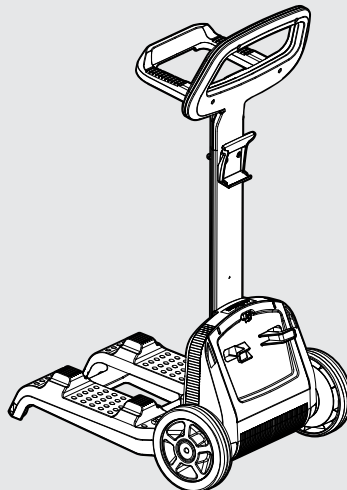


Ultra fine net filter
(X4)
(optional)

► Power supply



► Caddy kit



5. USE THE POOL CLEANER

5.1 Setup

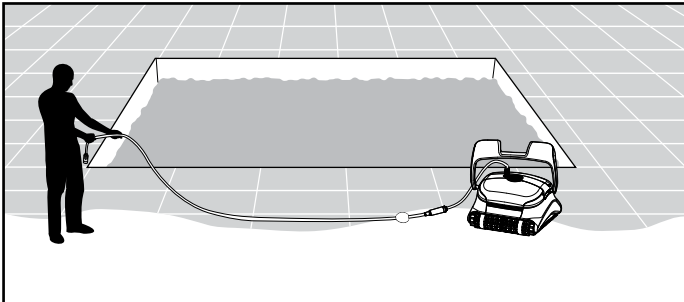
The Pool Cleaner is very simple to use. Simply place it in the pool and make sure that it is correctly positioned on the floor of the pool.

Turn it ON and enable it to complete the task.

Before using the Pool Cleaner for the first time, perform the following steps:

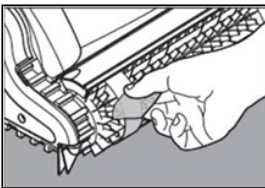
5.1.1

Unwind the blue cable and stretch it out completely so that it has no kinks.



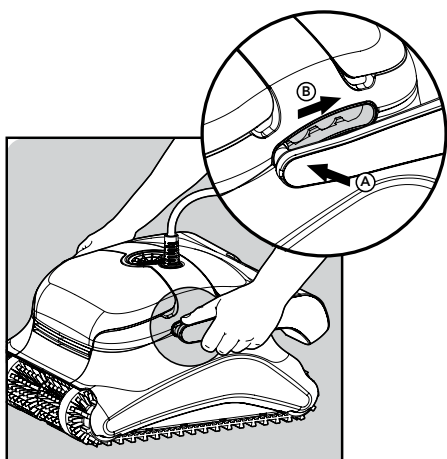
5.1.2

Remove the plastic coverings from the brushes.

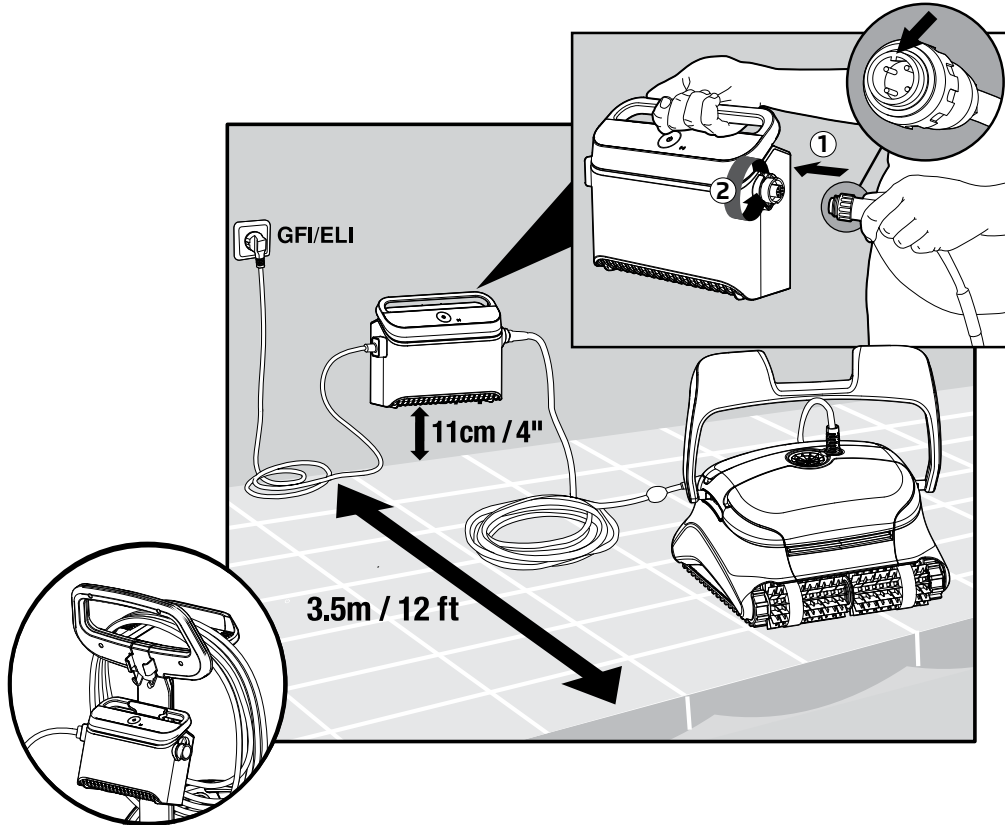


5.2 Adjust the Handle Angle

The robot's handle should be adjusted and locked diagonally in order to ensure optimum cleaning results. The handle angle can be adjusted also to determine the speed at which the robot advances along the waterline.

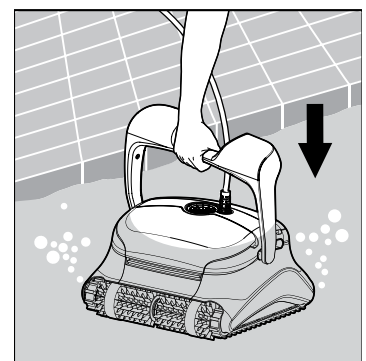


- 5.2.1 Position the power supply so that it is approximately at the center of the long side of the pool at min. 3.5 m (12 ft) from the pool and placed min. 11 cm (4 in) above the ground.
- 5.2.2 Attach the blue cable to the power supply by inserting it with the notch on the connector (1) lined up with the groove in the socket on the power supply and turning clockwise (2).
- 5.2.3 Plug in the power supply and leave it in the OFF position.

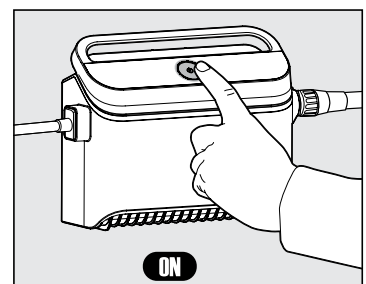


5.3 Place the Pool Cleaner in the Pool

- 5.3.1 If your Pool Cleaner is equipped with brushes that contain sponges, dip the brushes in the water and squeeze them so that they will absorb water the first time you use the Pool Cleaner, or if the brushes have dried out between uses.
- 5.3.2 Release the Pool Cleaner and let it sink to the floor of the pool.
- 5.3.3 Make sure that the blue cable is free of any obstructions.
- 5.3.4 To avoid kinks in the blue cable, place approximately enough cable in the water for the Pool Cleaner to reach the farthest corner of the pool.
- 5.3.5 Turn the power supply ON.



The Pool Cleaner will now operate until it has reached the end of the cleaning cycle.



6. USE THE MyDolphin™ Plus IOT MOBILE APP

Please download the Maytronics **MyDolphin™ Plus** app to your mobile smart device from either Google Play for Android or the Appstore for iOS.

The Maytronics **MyDolphin™ Plus** app is cloud-connected, enabling control from anywhere at anytime, with real-time connectivity.

6.1 Getting Started with the MyDolphin™ Plus App

The app is compatible with the following smart devices:

- Apple (iOS) – version 10 and up – iPhone, iPad, iPod
- Android – version 5 and up operating system

1. Make sure your mobile smart device (phone/tablet) is connected to your home/pool Wi-Fi® network.
2. Make sure you have your Wi-Fi® network name and password in reach.
3. Ensure Bluetooth® is enabled on your smart device.
4. Android users - please make sure your GPS and Location Services are **ON**.
5. For iOS 13 only - while the app is working, enable **Bluetooth® & location**.
6. Please make sure your router is on 2.4Ghz Wi-Fi® frequency only.

6.2 Prepare the Pool Cleaner for Connection

1. Connect the Pool Cleaner to the power supply.
2. The connectivity LED light indicator on your power supply will start flashing **blue**.
3. Place the Pool Cleaner in the water.
4. Press the ON button on your IoT power supply, to start the Pool Cleaner.

6.3 Activate the Pool Cleaner Using your Mobile Smart Device

1. Activate the **MyDolphin™ Plus** app.
2. Click **Agree** and allow all the required permissions.
3. Sign up by creating an account or use your Gmail/Facebook accounts.
4. Scan the QR code located on the side of the power supply.
5. Alternatively, press "**Search for your robot manually**" to pair with your Pool Cleaner.
The app will start pairing with your power supply.
6. Wait for the steady **blue** connectivity LED light and a success message in the app.
7. Connect to your home/pool Wi-Fi® network.
8. Enter the password of your home Wi-Fi® network, and press **CONTINUE**
After a short while, your power supply will flash **green** and **blue**.
9. Wait for the steady **green** connectivity LED light and a success message in the app.

NOTE: Please make sure to fill in the Warranty details and name your Dolphin Pool Cleaner.

6.4 LED Lights

Connectivity LEDs

The connectivity LED light on the power supply has several modes:

1. Flashing **blue** light - waiting for Bluetooth® connection.
2. Steady **blue** light - connected via Bluetooth®.
3. Flashing **green** light - power supply is trying to connect to your home/pool Wi-Fi® network and cloud, or a weak internet signal.
4. Steady **green** light - power supply is now connected to the Wi-Fi® network and to the cloud.
5. Alternating **blue** and **green** light - power supply is connected via Bluetooth® and trying to connect to your home/pool Wi-Fi® network & cloud.

On/Off LEDs

1. Flashing **green** light - waiting for the next operation (delay mode or weekly timer).
2. Alternate **blue/green/red** lights – program updating remotely.
Please wait until process is completed.
3. Steady **red** light – fault. Refer to troubleshooting.

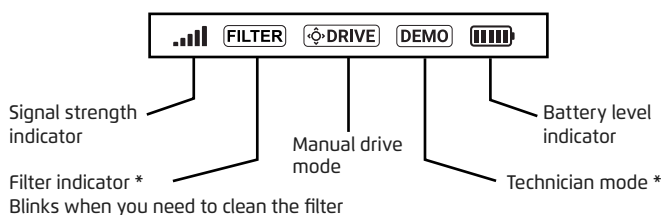
Tips

- If the app is stuck on the same screen for over 2 minutes, close the app and re-open it.
- To test your Wi-Fi® signal strength and quality, play a video via your smart device browser.

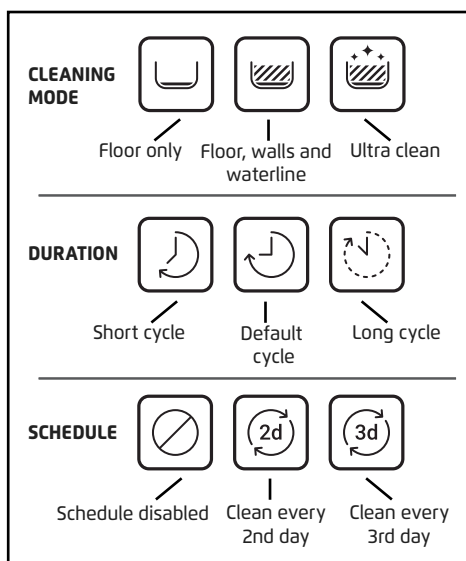
7. HOW TO USE THE REMOTE CONTROL

* for specific models only

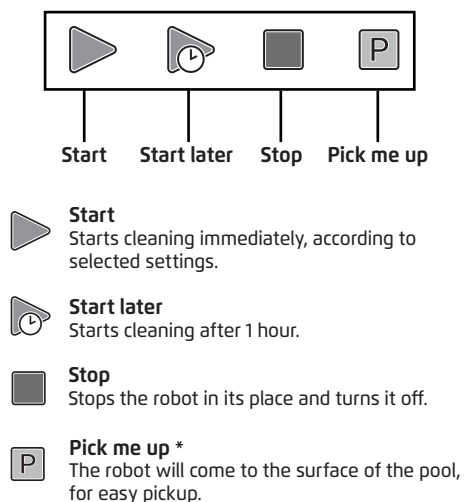
STATUS BAR



CLEANING SETTINGS



ACTION



* For specific models only

The remote-control unit offers two operation modes:

- **Automatic mode** - cleaning parameters can be changed
- **Manual Drive mode** - motion can be controlled manually


7.1 Getting Started with the Remote Control

1. If the Pool Cleaner is **OFF**, turn on the remote-control-unit and wait 2 seconds to view the screen display.
2. Press the **START** icon
3. The power supply will turn on, indicated by a **blue** LED light.
4. The Pool Cleaner will start cleaning according to the selected settings.

7.2 Automatic Mode

The remote-control-unit offers two automatic operation modes:

- **Delayed Operation**
- **Weekly Scheduling**

In **Delayed Operation** mode, you can set the Pool Cleaner to clean the pool later, by pressing **START LATER**. 

The power supply will start blinking **green**.



After one hour, the Pool Cleaner will start working.

If you wish to cancel the **START LATER** program, press again on the **START LATER** icon.

When the power supply stops blinking, the program is canceled.

In the **Weekly Scheduling** mode, you can set your own cleaning program.


You can choose if you want to clean your pool every two days or every three days.

- To clean your pool every 2 days, press 
- To clean your pool every 3 days, press 
- The scheduling program is valid for one week only.

7.3 Manual Drive Mode

You can use the Manual Drive mode to control how your Dolphin Pool Cleaner navigates around the pool.

- If the robot is **ON** – Turn on the remote, press the mode selector, and use the direction control arrows to control the movement of the robot around the pool.
- If the robot is **OFF** – Turn on the remote and wait for 60 seconds until the self-test is completed. Press the mode selector and use the direction control arrows to control the movement of the robot around the pool.

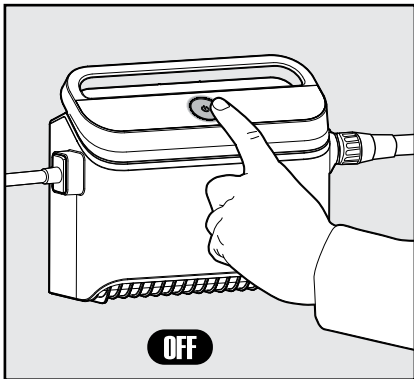
NOTE: If the signal bar is blinking  or you have lost connection with the power supply, it could be due to one of the following reasons.

What's wrong	What to do
The power supply isn't plugged in	Plug in the power supply
The remote-control is not in range	Move closer to your power supply
The remote-control isn't paired with your robot	Make sure the remote control is OFF . Attach the remote-control unit to the power supply. Press simultaneously on both right and left direction control arrows until you hear two beeps, and the power supply shows a steady blue connectivity LED

In case of difficulties operating the remote-control unit, try to repeat the above steps or contact our Customer Care team.

* see details in the end of this document.

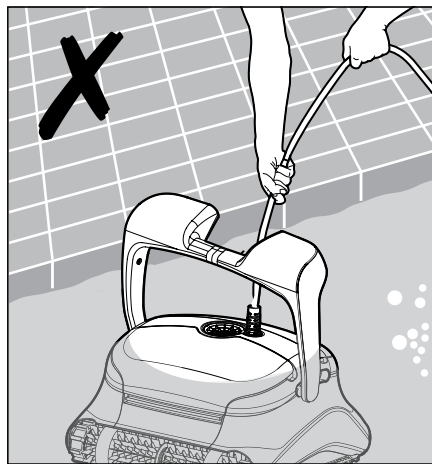
7.4 Removing the Pool Cleaner from the water



 **Turn OFF the power supply.**

7.4.1 Using the blue cable, bring the Pool Cleaner to the pool edge.

7.4.2 Use the handle to remove the Pool Cleaner from the water.



7.4.3 Place the Pool Cleaner on the edge of the pool to let the water drain out.

 **Please use the cable to pull the robot to the surface, then use the handle.**

8. OFF SEASON STORAGE

If the Pool Cleaner will not be in use for an extended period, perform the following storage steps:

1. Make sure that no water is left in the Pool Cleaner.
2. Thoroughly clean the filters of the cartridges and insert them in place.
3. Roll up the cable so that it has no kinks and place on the Caddy.
4. Store the pool cleaner upright on the Caddy in a protected area out of direct sun/rain/frost at a temperature of between 5 °C – 45 °C (41 °F – 113 °F).

9. ROUTINE MAINTENANCE

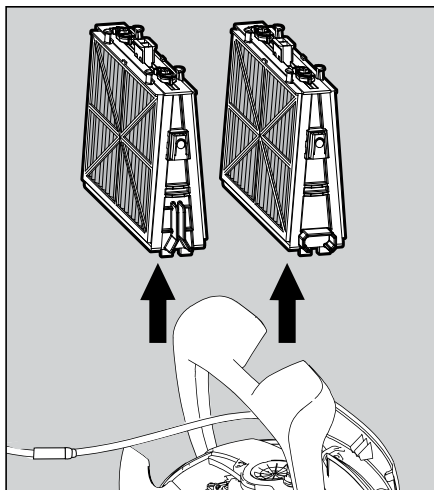
Clean the Cartridges Filters



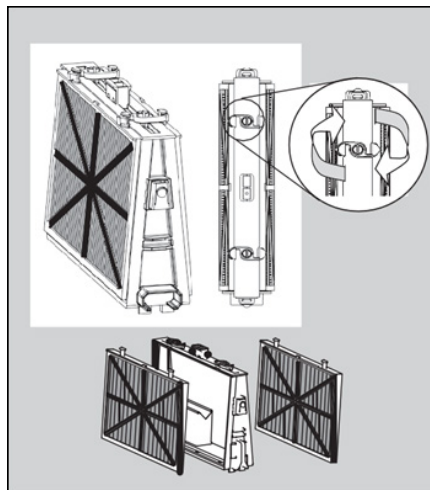
Unplug the power supply before any servicing activity.



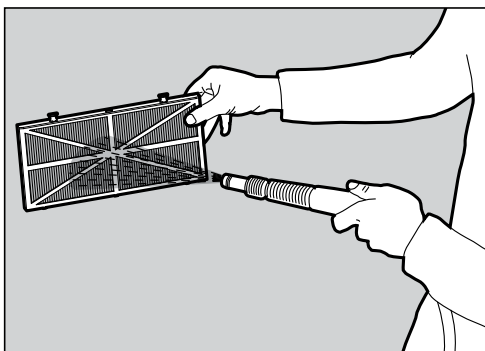
Note: Do not let the cartridges filters dry out before cleaning.



9.1.1 Open the filter covers and remove the cartridges from both sides of the robot.

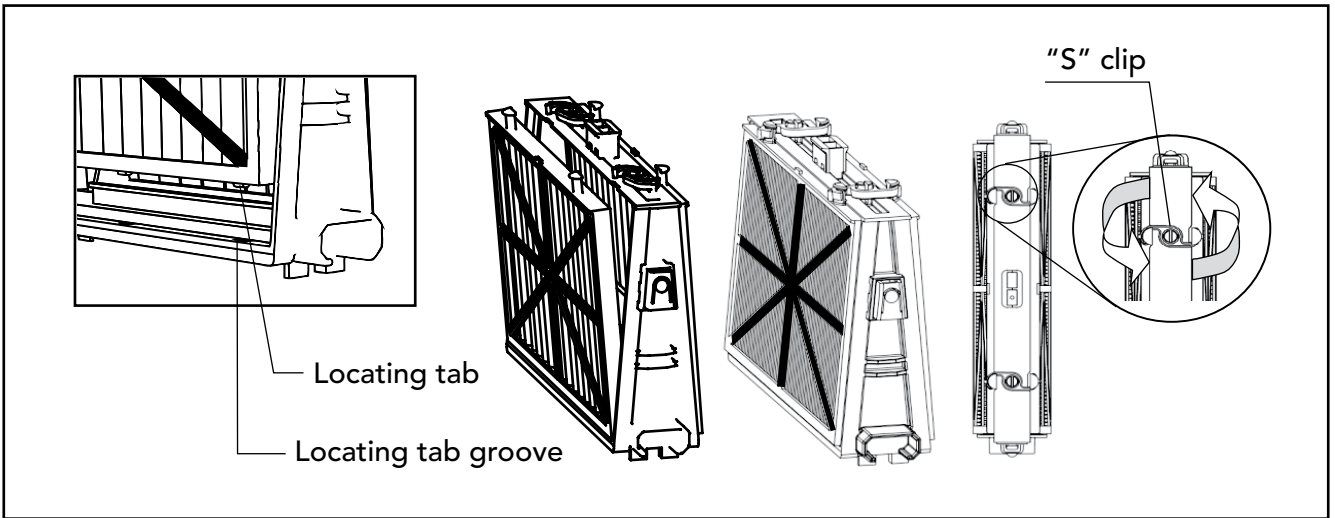


9.1.2 Open the clips and remove the filters.

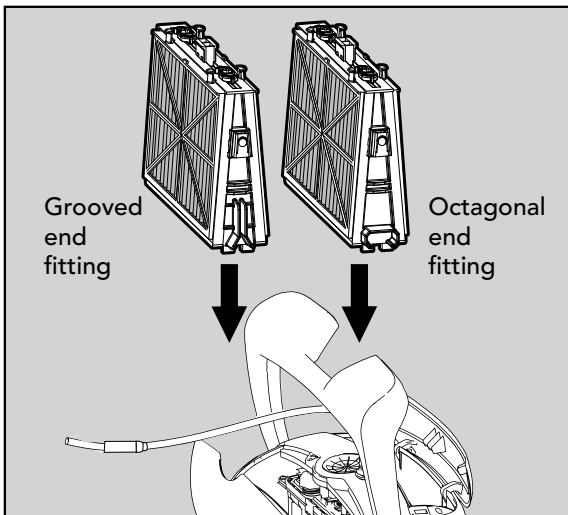


9.1.3 Clean the filters with a hose

9.1.4 Reassemble the filter elements: Insert the locating tabs at the bottom of the filter element into their grooves on the base frame. Clean the filter basket with a hose.



9.1.5



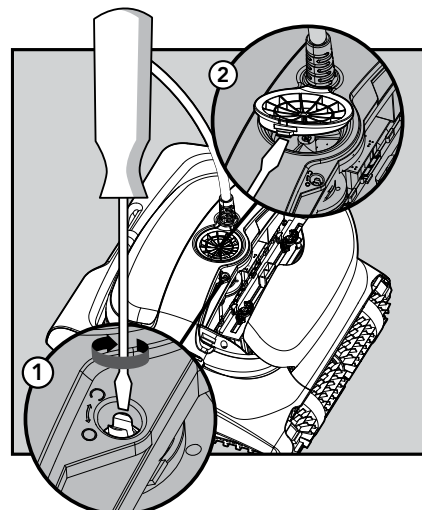
! Do not force the filters into place.

9.1.6

Dismantle and Clean the Impeller

! Unplug the power supply before cleaning. 

1. Dismantle the impeller cover.
2. Clean around the impeller housing.
3. Reassemble.
(Warning: Use a Phillips screwdriver only, not an electric screwdriver).



10. TROUBLESHOOTING



Unplug the power supply before performing any action.



Symptom	Possible reason	Corrective action
Power-supply or switch is not working.	<ul style="list-style-type: none"> No voltage in the power socket in the wall. The power supply is not switched ON. Black power cable is not connected into the power supply inlet. 	<ul style="list-style-type: none"> Check that there is voltage in the power socket in the wall. Check that the power supply is plugged in and turned ON. Check that the power cable is securely connected all the way into the power supply. Turn the power supply OFF. Wait 30 seconds, then turn it back ON.
Pool Cleaner does not move / Red light on the power supply.	<ul style="list-style-type: none"> The blue floating cable is not connected into the power supply. An obstacle is blocking the impeller, tracks or wheels. Pool cleaner is out of water. 	<ul style="list-style-type: none"> Check that the blue floating cable is securely connected into the power supply. Unplug the power supply. Open the impeller cover and check that nothing is trapped in the impeller. Verify that nothing is blocking the tracks or wheels.
Pool Cleaner is moving in circles.	<ul style="list-style-type: none"> Clogged filter. Debris stuck in the impeller house or impeller cover. Power supply incorrectly positioned. Algae or pool water is out of spec. 	<ul style="list-style-type: none"> Clean the filter. Remove debris stuck in the impeller house or impeller cover. Place power supply in position so that the Pool Cleaner can freely reach all the pool area. Correct pool and water conditions.
Pool Cleaner does not turn or moves in one direction only.	<ul style="list-style-type: none"> Debris stuck in the impeller house or impeller cover. 	<ul style="list-style-type: none"> Remove debris stuck in the impeller house or impeller cover.
Pool Cleaner moves but does not clean the pool.	<ul style="list-style-type: none"> Clogged filter. Debris stuck in the impeller house or impeller cover. 	<ul style="list-style-type: none"> Clean the filter. Remove debris stuck in the impeller house or impeller cover.
Pool Cleaner cleans only part of the pool.	<ul style="list-style-type: none"> Power supply incorrectly positioned. Not enough floating cable is released for the correct operation of the Robotic Pool Cleaner. 	<ul style="list-style-type: none"> Place the power supply in a position that enables the Pool Cleaner to freely reach the entire pool area. Check there is enough slack in the blue floating cable for the Pool Cleaner to reach all of the pool. Clean the filter.
Blue floating cable has kinks.	<ul style="list-style-type: none"> Clogged filter. Debris stuck in the impeller-house or impeller-cover. 	<ul style="list-style-type: none"> Clean the filter. Remove debris stuck in the impeller house or impeller cover. To remove the kinks, stretch the floating cable out completely and let it sit for at least a day in the sun.
Pool Cleaner does not climb the walls.	<ul style="list-style-type: none"> Clogged filter. Algae on walls. Unsuitable pH level. Debris stuck in the impeller-house or impeller-cover. 	<ul style="list-style-type: none"> Clean the filter. Check the level of chemicals in the water. Improper levels may allow the growth of algae, making the walls slippery. Adjust chemical levels and scrub walls. Remove debris stuck in the impeller-house or impeller-cover.
Dolphin not sinking	<ul style="list-style-type: none"> Wonder brushes are too dry 	<ul style="list-style-type: none"> Make sure the Wonder brushes or the combined brushes are soaked in water.
Remote control is not working	<ul style="list-style-type: none"> No power in remote control 	<ul style="list-style-type: none"> Check if the batteries need replacing.

11. MyDolphin™ Plus - TROUBLESHOOTING

Before using the app, make sure you have:

- Cellular connection 3G/4G/5G or Wi-Fi®, with strong signal strength
- Power supply support 2.4Ghz ONLY
- Bluetooth® enabled

Action	What To Do
Pool cleaner does not connect to Wi-Fi®, and the power supply is Flashing green light	power supply is trying to connect to your home/pool Wi-Fi® network and cloud. 1. Weak internet signal. 2. Get the power supply closer to the Wi-Fi® source. 3. Consider use Wi-Fi® extender for a stronger signal.
Second connection after losing router/ Wi-Fi®: How to change to Bluetooth® after first Wi-Fi® /3G connection.	Losing router/ Wi-Fi®: 1. Open the app. The "our cloud services seems to be down" message will appear (can take a few seconds) and the globe on the top bar will turn red. 2. Scroll down and click "choose another solution" which will direct you to the Bluetooth® option. (*this solution will be a one-time solution. Note that in order to continue with Bluetooth® connection, the end user must be near the robot). 3. The app will connect to Wi-Fi® automatically when the connectivity returns. If it doesn't reconnect, restart the app. 4. If network interruptions continue, try to improve the quality of the home router signal (move closer to the router).
Initial connection. How to connect with Bluetooth® only.	Before you start: CONNECT VIA Wi-Fi®, 3G/4G MUST BE OPEN 1. Plug in the power supply. 2. Connect the robot to the power supply. 3. Download the new MyDolphin™ Plus app. 4. Login to the app and allow the required permissions. 5. Scan the QR code and follow the app instructions. 6. Click "go online" (at this stage, iOS users need to minimize the app and re-open it. Android users can click "choose network" and "Later").
How to change to Wi-Fi® after initial Bluetooth® connection.	1. Make sure your Bluetooth® and Wi-Fi® are enabled. 2. Open the MyDolphin™ Plus app and connect to the robot via Bluetooth®. 3. Go to Settings and click "Wi-Fi® Settings". 4. Follow the app instructions to go online.
Changing your Wi-Fi® network.	Router was replaced 1. Log into the app → you will see a connection error. 2. Go to "settings" at the top bar on the screen. 3. Go to "Wi-Fi® settings" → Click "change Wi-Fi® network" → "change to the new Wi-Fi® network" (enter the Wi-Fi® name and passcode) → Click "continue" and wait to receive notification that the robot has been configured to the new Wi-Fi®. 4. Simultaneously, the LED color on the power supply will turn solid green (this is the confirmation that the Wi-Fi® is connected).
For Android users. Power supply replacement for new Wi-Fi® connection.	New power supply for a robot connected through Wi-Fi® 1. Turn on the power supply while it is connected to the robot and let it work for several seconds (it will sync with the robot). 2. Login to the app. A connection error message will appear. 3. Go to "check other solutions". 4. Click on the Bluetooth® icon in the top bar. 5. Click "change connectivity", "set Wi-Fi® connectivity" and then "go online". 6. Enter your Wi-Fi® name and password. You see the home screen. The power supply LED will flash green.

Action	What To Do
<p>For iOS users. Power supply replacement for new Wi-Fi® connection</p>	<p>New power supply for a robot connected through Wi-Fi®</p> <ol style="list-style-type: none"> 1. Turn on the power supply while it is connected to the robot and let it work for several seconds (it will sync with the robot). 2. Login to the app. A connection error message will appear. 3. Go to "settings", on the top bar → click on "robot details" → "disconnect from the robot" → "proceed" → "search for nearby robots" → your robot" → click on "change connectivity" → "set Wi-Fi® connectivity" → "go online". 4. Enter your Wi-Fi® name and password.
<p>Motor unit replacement for unit that was not reported to the support system by the technician.</p>	<ol style="list-style-type: none"> 1. Disconnect the power supply from the wall socket before use. 2. After replacing the motor unit (MU), reconnect the power supply to the wall socket and turn on the power supply. Let the robot work for several seconds. 3. Open the MyDolphin™ Plus app. You will see a connection error. 4. Go to "settings" in the top bar → "robot details" → "disconnect from the robot" → "Proceed" → "search for nearby robots" find and select the "new Dolphin MU s/n" → a "is this your robot?" message will appear. After checking the s/n number, press "Yes this is my robot" → The MU will link to robot and the app → home screen. <p>If you do not recognize the serial number, press to add the robot s/n manually or scan the QR Code.</p>

If these solutions do not solve your problem, contact Maytronics Customer Care:

North America

1-888-365-7446 ext. 1002
customersupport@maytronicsus.com

France

+33 (0)4 42 98 14 90
support@maytronics.fr

Australia, NZ, South Africa

1 300 693 657
infoau@maytronics.com

Rest of the world / Maytronics HQ

00 800 69694141 (toll free number)
00 972 77 96 14 204 (international call)
wecare@maytronics.com

For full information and additional troubleshooting please visit us at: www.maytronics.com