

# 8" Anti-Entrapment Suction Outlet Cover and Sump with Gaskets for Vinyl/Fiberglass

## VGB Series

### Product Specification Sheet

The AquaStar line of suction outlet covers, compliant with the new Virginia Graeme-Baker Pool and Spa Safety Act (ASME/ANSI A112.19.8a-2008)

### Features

For single or multiple drain use (see installation instructions)

Single

Floor: 88 GPM at 3.2 fps

Wall: 70 GPM at 2.6 fps

Floor/wall: 41 GPM at 1.5 fps

8.8 square inch opening

Meets or exceeds NSF 50/ASME/ANSI A112.19.8a-2008 national standards and ASTM G154 UV testing

Two extra 1" knock-out ports

Permanently attached gasket reduces gasket alignment problems

#316 stainless steel screws

Includes 2" threaded plug and 2" x 1½" reducer bushing S/S

USPC listed with IAPMO R&T

8 per case

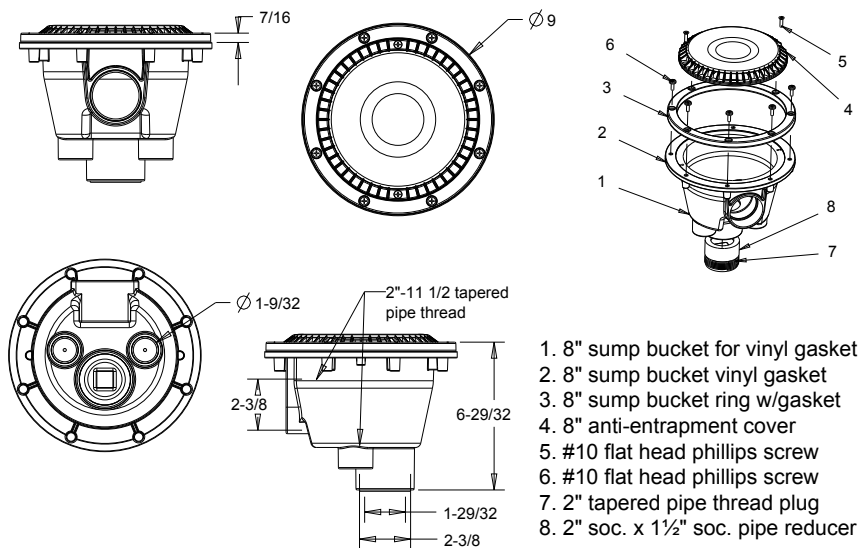


Part # 8SBVxxx

### Part Numbers / Colors

- 8SBV101 White
- 8SBV102 Black
- 8SBV103 Lt. Gray
- 8SBV104 Blue
- 8SBV105 Dk. Gray
- 8SBV106 Bone
- 8SBV107 Taupe
- 8SBV108 Tan

VGB 2008 Compliant



1. 8" sump bucket for vinyl gasket
2. 8" sump bucket vinyl gasket
3. 8" sump bucket ring w/gasket
4. 8" anti-entrapment cover
5. #10 flat head phillips screw
6. #10 flat head phillips screw
7. 2" tapered pipe thread plug
8. 2" soc. x 1½" soc. pipe reducer