

# 2-SPEED RELAY INSTALLATION INSTRUCTIONS

## IMPORTANT SAFETY INSTRUCTIONS READ AND FOLLOW ALL INSTRUCTIONS SAVE THESE INSTRUCTIONS

### ⚠ WARNING

Before installing this product, read and follow all warning notices and instructions which are included. Failure to follow safety warnings and instructions can result in severe injury, death, or property damage. Call (800) 831-7133 for additional free copies of these instructions.

### Important Notice



Attention Installer.

This manual contains important information about the installation, operation and safe use of this product. This information should be given to the owner/operator of this equipment.

1. Turn power off to Load Center.
2. Remove High Voltage Cover Panel. Fold down Outdoor Control Panel.
3. Assemble relay bracket below filter pump relay, (2 screws).
4. Snap 2-speed relay into bracket. Wire filter pump relay and 2-speed pump relay as shown in Figure 1.
5. Plug 2-speed relay into 2-speed socket on Personality PCB.
6. Install High Voltage Cover Panel. Fold up Outdoor Control Panel. Close Load Center door. Turn on power.
7. Configure system.  
(See Reverse side.)

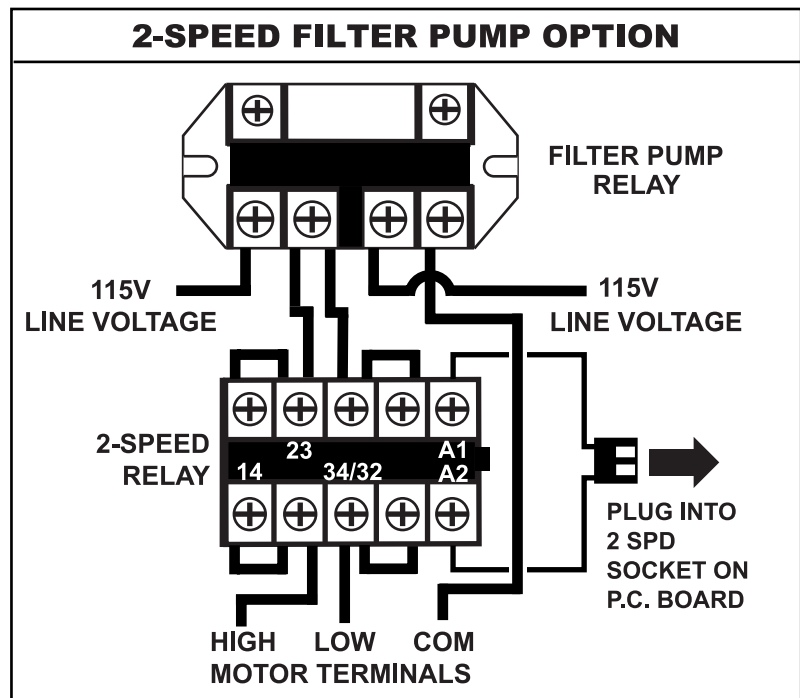


Figure 1.

*Pentair Water Pool and Spa, Inc.*

1620 Hawkins Ave., Sanford, NC 27330 • (919) 866-5000  
10951 West Los Angeles Ave., Moorpark, CA 93021 • (805) 553-5000

 **Pentair Water**  
Pool and Spa™

# Setting up a 2-Speed Pump

## Getting There

MENU → SETUP → EQUIPMENT → 2-SPEED

1

Equipment circuits displayed on this screen will automatically switch a 2-speed filter pump to high speed when these circuits are on. In this example, the FILTER PUMP will switch to high speed whenever the JETS or CLEANER is on. To add another circuit for switching filter pump to high speed, press the button next to any of the NONE indicators, and then scroll through your choices in step 2. HINT: You can use a FEATURE circuit as one of the circuits which can switch the pump to high speed (except i5).



3

Press SAVE when you have selected all the circuits that will switch the filter pump to high speed.

2

Use UP/DOWN keys to scroll through various circuits. After you have found the desired circuit, you can add another circuit by repeating step 1, or go to step 3.

## SAVE THESE INSTRUCTIONS.

*Pentair Water Pool and Spa, Inc.*

1620 Hawkins Ave., Sanford, NC 27330 • (919) 866-5000

10951 West Los Angeles Ave., Moorpark, CA 93021 • (805) 553-5000



**Pentair Water**  
Pool and Spa™